



TBR Series

Decorative Style Recessed Unit Equipment
6 and 12-Volt, Maintenance-Free, Lead-Calcium or
Nickel-Cadmium Batteries,
Listed to UL 924 Standards

The TBR Series combines decorative styling, rugged construction and high performance for fully recessed applications. Low profile, the TBR Series is unobtrusive, blends in well with any interior, and is designed to be recessed in grid ceilings.

FEATURES

- **RELIABILITY:** The TBR Series has a three-year full warranty (excluding lamps).
- **CONSTRUCTION:** 18-gauge, steel, finished in mist white enamel. Provision for mounting up to three heads.
- **MOUNTING:** Lay-in installation in T-bar grid ceiling. Back box has removable cover for ease of installation and full access to battery and charger.
- **ELECTRONICS:**
 - ♦ Automatic, temperature compensated, pulse type charger.
 - ♦ High capacity, automatic, dust tight instantaneous transfer relay.
 - ♦ Low voltage disconnect prevents overdischarge of battery. Automatic brownout protection is provided.
 - ♦ Labor saving AC line latch prevents battery discharge during installation to a non-energized circuit.
 - ♦ Fused output circuit.
- **CONTROLS:**
 - ♦ Red charge monitor LED indicates state of charge of the battery.
 - ♦ Amber AC-ON LED indicates AC power is on.
 - ♦ Momentary test switch allows for quick operational check of entire system.
- **POWER REQUIREMENTS:**
 - ♦ 120/277 Vac, 60Hz, 0.3/0.15A.

APPLICATIONS

For areas where a fully recessed "slim-line" ceiling unit is required. Ideal for locations where there is limited wall space and where the greater directional flexibility of ceiling-mounted heads is needed to provide a broader light distribution.

BATTERY

6 or 12-volt, long life, maintenance-free, sealed Lead-Calcium. Nickel-Cadmium available as an option.

UNIT SELECTION CHART

Volts	Model No. (Unit/Lamp Suffix)	*Watts to 87-1/2% of Nominal Battery Voltage				Standard Lamps			Cabinet
		1-1/2 Hrs.	2 Hrs.	3 Hrs.	4 Hrs.	Watts/Head	Type	Lamp Replac. No.	
6	2TBRC1/L9	27	20	14	10	9	Incand.	570.0016	S
	2TBRC2/L9	54	36	25	18	9	Incand.	570.0016	S
	2TBRC3/L9	81	48	33	24	9	Incand.	570.0016	L
12	2T12BRC2/L25	54	36	25	18	25	Incand.	570.0031	S

*National Electrical Code Specification

TBR Series



ORDERING FORMAT

$\frac{2}{1}$ **TBR** **C1** **/L9** **-ID**
 $\frac{1}{2}$ $\frac{2}{2}$ $\frac{3}{3}$ $\frac{4}{4}$ $\frac{5}{5}$

- ① — **2**No. of Heads (0, 1, 2, 3)
- ② — **TBR**Series
(TBR=6 Vdc, T12BR=12 Vdc)
- ③ — **C1**Capacity Indicator
(See Unit Selection Chart)
- ④ — **/L9**Lamp Suffix
- ⑤ — **-ID**Improved Diagnostics (See Options)

LAMP HEADS

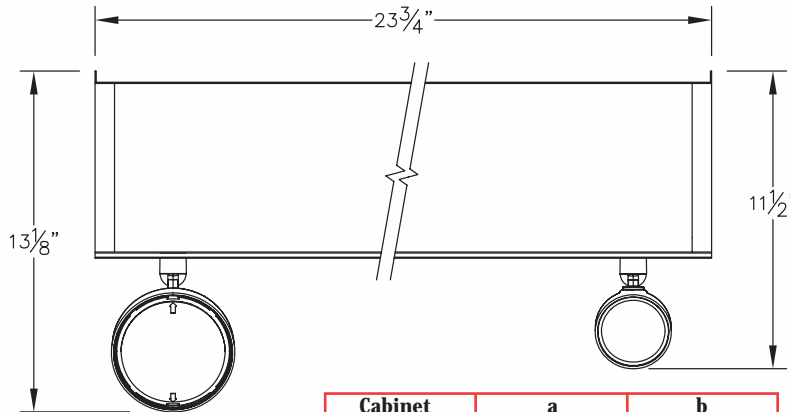
Standard with ELF645, Par 36 size, high impact mar-resistant thermoplastic heads, furnished with high intensity incandescent lamps. ELF2 heads also available upon request.

Note: Optional lamps available.

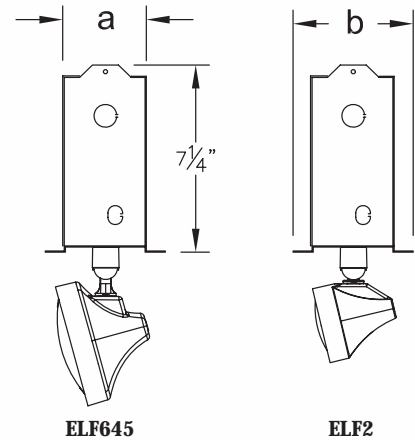


DIMENSIONS

Dimensions are approximate and subject to change.



Cabinet	a	b
S	3-1/4"	4-5/8"
L	5-5/8"	7-1/8"



OPTIONS

(Add suffix to Model No.)

- Black Trimplate and Heads-B
- Ammeter or Voltmeter (Choose only one)-A or -V*
- Time Delay (12 min.)-TD**
- Improved Diagnostics-ID
- Improved Diagnostics, Non-Audible.....-IDNA
- Nickel-Cadmium Battery-N***

*Not available with ID/IDNA option.

**Not required when using the ID/IDNA option.

***Consult factory for NiCad wattage ratings.

ACCESSORIES

(Order as separate item)

- Remote Test Switch, Metal FaceplatePSW