



Also available in black.

RD Series

Decorative Style Recessed Unit Equipment, 6 and 12-Volt, Maintenance-Free, Lead-Calcium, Long Life Lead or Nickel-Cadmium Battery, Listed to UL 924 Standards

The RD Series combines decorative styling, rugged construction and high performance for fully recessed applications. The low profile RD Series is unobtrusive, blends in well with any interior, and can be recessed in ceilings or walls.

FEATURES

- **RELIABILITY:** The RD Series has a three-year full warranty (excluding lamps).
- **CONSTRUCTION:** Construction of 20 gauge steel with an mist-white enamel finish.
- **MOUNTING:** Easily recesses into wall or ceiling. Mounting brackets included for installation in grid type suspended ceilings. Unit comes standard with adjustable bar hangers. Furnished with ELF645 heads with 6 or 12-volt lamps as specified.
- **ELECTRONICS:**
 - ♦ Automatic, temperature-compensated, pulse-type charger.
 - ♦ High capacity, automatic, dust tight instantaneous transfer relay.
 - ♦ Low voltage disconnect prevents over discharge of battery. Automatic brown out protection is provided.
 - ♦ Labor saving AC line latch prevents battery discharge during installation to a non-energized circuit.
- **CONTROLS:**
 - ♦ Red charge monitor LED indicates state of charge of the battery.
 - ♦ Pilot LED lamp indicates AC power is on.
 - ♦ Momentary test switch allows for quick operational check of entire system.
- **POWER REQUIREMENTS:**
 - ♦ 120/277 Vac, 60Hz, 0.3/0.15A.

APPLICATIONS

Ideal for use in applications that require fully-recessed, architecturally-styled units.

BATTERY

Unit comes standard with 6 or 12-volt maintenance-free, sealed Lead-Calcium battery. Nickel-Cadmium battery available as an option.

UNIT SELECTION CHART

Standard lamp is 6 or 12-volt, 12 watt

| UNIT EQUIPMENT - WITH REMOTE CAPABILITY | | | | | | | |
|---|--------------|--------------------|-----------------|--|--------|--------|--------|
| Sealed Maintenance-Free Battery Types | D.C. Voltage | Model Number | | *Watts to 87-1/2% of rated battery voltage | | | |
| | | ELF645 Lamps Heads | ELF2 Lamp Heads | 1-1/2 hrs. | 2 hrs. | 3 hrs. | 4 hrs. |
| Nickel Cadmium | 6 | 2RD6C2 | 2RD6C2-ELF2 | 25 | 18 | 12 | 9 |
| | 12 | 2RD12C3 | 2RD12C3-ELF2 | 36 | 21 | 15 | 12 |
| Long Life Lead | 6 | 2RD6E2 | 2RD6E2-ELF2 | 27 | 19 | 14 | 10 |
| | 6 | 2RD6E3 | 2RD6E3-ELF2 | 36 | 24 | 17 | 13 |
| | 12 | 2RD12E3 | 2RD12E3-ELF2 | 36 | 24 | 17 | 13 |
| Lead Calcium | 6 | 2RD6M2 | 2RD6M2-ELF2 | 27 | 18 | 14 | 10 |
| | 6 | 2RD6M3 | 2RD6M3-ELF2 | 36 | 25 | 20 | 14 |
| | 12 | 2RD12M3 | 2RD12M3-ELF2 | 36 | 25 | 20 | 14 |

*National Electrical Code Specification

RD Series



LAMP HEADS

Supplied standard with ELF645, Par 36 size, high impact mar-resistant thermoplastic heads, furnished with 6 or 12-volt high intensity incandescent lamps. ELF2 heads also available upon request.

Example:

2RD12C3/LH3

2RD12C3/ELF2-LH3

ORDERING FORMAT

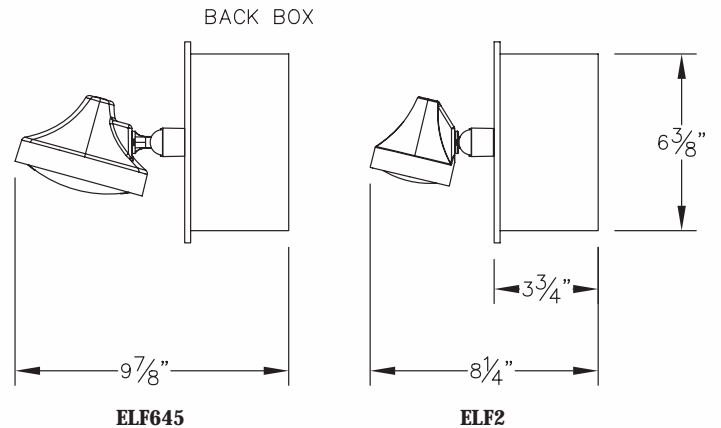
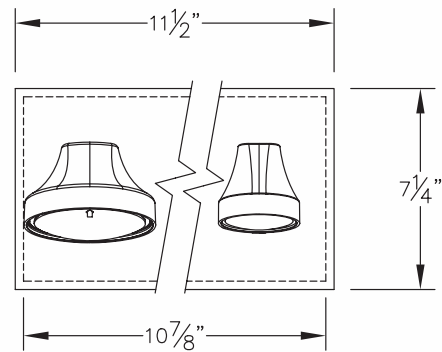
$\frac{2}{1}$ $\frac{RD}{2}$ $\frac{6}{3}$ $\frac{M}{4}$ $\frac{2}{5}$ $\frac{/LH4}{6}$ $\frac{-ID}{7}$

- ①— **2**.....No. of Heads (0, 1, 2)
- ②— **RD**Series
- ③— **6**.....DC Battery Backup
(6=6 Vdc, 12=12 Vdc)
- ④— **M**Battery Type (M=Lead-Calcium,
E=Long Life Lead C=Nickel-Cadmium)
- ⑤— **2**.....Capacity Indicator
(See Unit Selection Chart)
- ⑥— **/LH4**Lamp Suffix
- ⑦— **-ID**Improved Diagnostics (See Options)



DIMENSIONS

Dimensions are approximate and subject to change.



OPTIONS

(Add suffix to Model No.)

- Black Trimplate and Heads.....**-B**
- Ammeter or Voltmeter (Choose only one)**-A*** or **-V***
- Improved Diagnostics.....**-ID**
- Improved Diagnostics, Non-Audible.....**-IDNA**
- Time Delay.....**-TD****

* Not available with ID/IDNA option.

** Not required when using the ID/IDNA option.

ACCESSORIES

(Order as separate item)

- Wire Guard (ELF645 heads) **WG6-L**
- Remote Test Switch, Metal Faceplate **PSW**