



PN, P12N Series

Industrial/Commercial Unit Equipment 6 or 12-Volt,
Maintenance-Free, Nickel-Cadmium Battery
Listed to UL 924 Standards

The PN, P12N Series is a traditionally styled, high performance unit. Long-life Nickel-Cadmium batteries are maintenance-free and designed specifically for environments where lighting units may be exposed to fluctuations in temperature.

FEATURES

- **RELIABILITY:** The PN, P12N Series has a three-year full warranty (excluding lamps).
- **HOUSING:** Heavy duty steel case with front access panel and mist white enamel finish.
- **MOUNTING:** Conduit knockouts and rear keyhole mounting slots are provided.
- **ELECTRONICS:**
 - ▶ Automatic, temperature-compensated, pulse-type charger.
 - ▶ High capacity, automatic, dust-tight instantaneous transfer relay.
 - ▶ Labor-saving AC line latch prevents battery discharge during installation to a non-energized circuit.
 - ▶ Automatic brownout protection is provided.
 - ▶ Fused output circuit.
- **CONTROLS:**
 - ▶ Red charger monitor LED indicates state of charge of the battery.
 - ▶ Amber AC-ON LED indicates AC power is on.
 - ▶ Momentary test switch allows for quick operational check of entire system.
- **POWER REQUIREMENTS:**
 - ▶ 120/277 Vac, 60Hz, 0.3/0.15A.

APPLICATIONS

This series is offered where an attractive conventional emergency lighting unit is required. These units are reliable yet economic for all public, commercial and industrial areas. Recommended where the long-life and maintenance-free features of sealed Nickel-Cadmium batteries are required.

BATTERY

Nickel-Cadmium batteries outperform lead acid batteries in dramatic ambient temperature fluctuations. These units are equipped with 6 or 12-volt, long life, maintenance-free sealed Nickel-Cadmium.

UNIT SELECTION CHART

**At Additional Cost

Volts	Model No. (Unit/Lamp Suffix)	*Watts to 87-1/2% of Nominal Battery Voltage				Standard Lamps			Cabinet
		1-1/2 Hrs.	2 Hrs.	3 Hrs.	4 Hrs.	Watts/Head	Type Replace. No.	Lamp	
6	2PN1/L9-M	25	20	14	10	9	Incand.	570.0016	A
	2P12N1/L12-M	50	36	25	18	12	Incand.	570.0028	A
12	2P12N2/L12-M	72	60	50	36	12	Incand.	570.0028	B
	Optional Lamps**								
6	2PN1/LH6-M	25	20	14	10	12	Bi-Pin Halogen	580.0011	A
12	2P12N1/LH3-M	50	36	25	18	12	Bi-Pin Halogen	580.0015	A
	2P12N2/LH3-M	72	60	50	36	12	Bi-Pin Halogen	580.0015	B

*National Electrical Code Specification

PN, P12N Series



ORDERING FORMAT

- | | | | | | |
|----------------|---------------------------|----------------|--|--------------|--|
| ① | ② | ③ | ④ | ⑤ | ⑥ |
| 2 | P12N | 2 | /LH3 | -M | -V |
| ① — 2 | No. of Heads (0, 1, 2, 3) | ② — P12N | Series/DC Voltage
(PN = 6 Vdc, P12N = 12 Vdc) | ③ — 2 | Capacity Indicator
(See Unit Selection Chart) |
| ④ — /LH3 | Lamp Suffix | ⑤ — -M | Standard Mist White
Enamel Finish | ⑥ — -V | Voltmeter (See Options) |

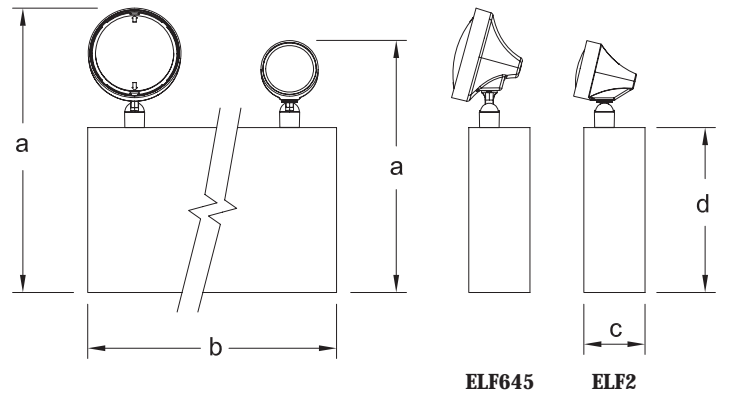
LAMP HEADS

Standard with ELF645, Par 36 size, high impact mar-resistant thermoplastic heads, furnished with high intensity incandescent lamps. ELF2 heads also available upon request.

Note: Optional lamps available.

DIMENSIONS

Dimensions are approximate and subject to change.



Cabinet	a	b	c	d
A	14-5/8"//13	12-3/4"	3-1/8"	8-1/2"
B	16-3/8"//14-3/4"	16-1/8"	5-7/16"	10-1/4"



OPTIONS

(Add suffix to Model No.)

- Black Housing and Heads (Replace "-M" by) **-B**
- Voltmeter **-V***
- Ammeter **-A***
- Disconnect Switch **-DS****
- Improved Diagnostics, Non-Audible **-IDNA**
- Time Delay (12 min.) **-TD****
- Tamper Proof **-TP**
- 3-Wire Cord and Plug **-3CP**
- 3-Wire Cord and Plug (277V) **-3CP-277**

*Not available with IDNA.

**Not required with IDNA Option.

ACCESSORIES

(Order as separate item)

- Wire Guard (A Cabinet) **WG2-L**
- Wire Guard (B Cabinet) **WG3-L**
- Mounting Platform **MP-PQA**