



PG, P12G Series

Industrial/Commercial Unit Equipment
6 or 12-Volt, Maintenance-Free Lead-Calcium Battery
Listed to UL 924 Standards

The PG, P12G Series is a traditionally-styled, multi-purpose emergency lighting unit that offers reliability, versatility, performance and cost-efficiency in an aesthetically-pleasing design.

FEATURES

- **RELIABILITY:** The PG, P12G Series has a three-year full warranty (excluding lamps).
- **HOUSING:** Heavy duty steel case with front access panel and mist white enamel finish.
- **MOUNTING:** Conduit knockouts and rear keyhole mounting slots are provided.
- **ELECTRONICS:**
 - ▶ Automatic, temperature-compensated, pulse-type charger.
 - ▶ High capacity, automatic, dust tight instantaneous transfer relay.
 - ▶ Labor-saving AC line latch prevents battery discharge during installation to a non-energized circuit.
 - ▶ Low voltage disconnect prevents over discharge of battery. Automatic brownout protection is provided.
 - ▶ Fused output circuits (PG2, P12G1).
- **CONTROLS:**
 - ▶ Red charger monitor LED indicates state of charge of the battery.
 - ▶ Amber AC-ON LED indicates AC power is on.
 - ▶ Momentary test switch allows for quick operational check of entire system.
- **POWER REQUIREMENTS:**
 - ▶ 120/277 Vac, 60Hz, 0.3/0.15A.

APPLICATIONS

Designed to meet requirements for moderate loads, the PG, P12G Series is a reliable, economical choice for most public, commercial and industrial areas.

BATTERY

6 or 12-Volt, maintenance-free sealed Lead-Calcium. Battery capacities meet the 90 minute required run time or extended run times based on lamp load.

UNIT SELECTION CHART

Volts	Model No. (Unit/Lamp Suffix)	*Watts to 87-1/2% of Nominal Battery Voltage			
		1-1/2 Hrs	2 Hrs	3 Hrs	4 Hrs
6	2PG1-NY/L9-M	27	20	14	-
	2PG2-NY/L9-M	54	36	27	18
12	2P12G1-NY/L9-M	54	36	27	18

*National Electrical Code Specification

PG, P12G Series



ORDERING FORMAT

- | | | | | | | |
|---|----|----|-----|-----|----|-----|
| ① | ② | ③ | ④ | ⑤ | ⑥ | ⑦ |
| 2 | PG | 1 | -NY | /L9 | -M | -ID |
| ①— | ②— | ③— | ④— | ⑤— | ⑥— | ⑦— |
| 2 | PG | 1 | -NY | /L9 | -M | -ID |
|No. of Heads (0, 1, 2, 3) | | | | | | |
|Series/DC Voltage | | | | | | |
| (PG=6 Vdc, P12G= 12 Vdc) | | | | | | |
|Capacity Indicator | | | | | | |
| (See Unit Selection Chart) | | | | | | |
|New York City Spec. | | | | | | |
|Lamp Suffix | | | | | | |
|Standard Mist White Finish | | | | | | |
|Improved Diagnostics (See Options) | | | | | | |

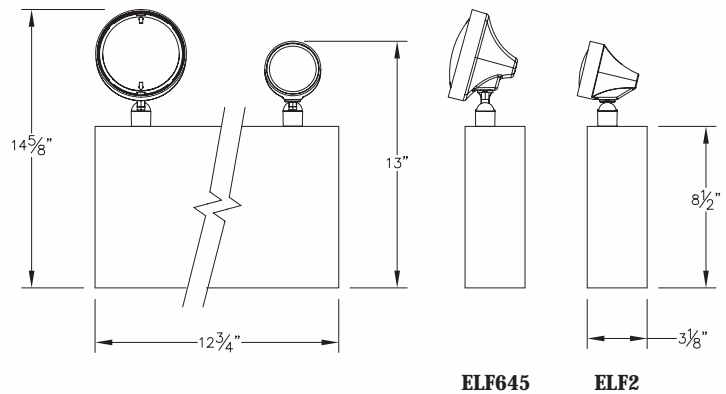
LAMP HEADS

Standard with ELF645, Par 36 size, high impact mar-resistant thermoplastic heads, furnished with high intensity incandescent lamps. ELF2 heads also available upon request.

Note: Optional lamps available.

DIMENSIONS

Dimensions are approximate and subject to change.



OPTIONS

(Add suffix to Model No.)

- Black Housing and Heads (Replace "-M" by) -B
- Voltmeter -V*
- Disconnect Switch -DS**
- Improved Diagnostics -ID
- Improved Diagnostics (Non-Audible) -IDNA
- Time Delay -TD**
- Tamper Proof -TP
- 3-Wire Cord and Plug -3CP
- 3-Wire Cord and Plug (277V) -3CP-277

*Not available with diagnostics.

**Not required with the ID/IDNA option.

ACCESSORIES

(Order as separate item)

- Wire Guard WG2-L
- Mounting Platform MP-PQA