



Series MG Serie **MG Series** Serie

Industrial/Commercial Unit Equipment, 6 and 12-Volt,
Maintenance-Free, Lead-Calcium or Nickel-Cadmium Battery,
Listed to UL 924 Standards

The MG Series is an excellent combination of economy, quality and versatility. Its compact, all-metal housing is offered in a wide variety of battery choices and wattages. The MG Series comes with our highly reliable pulse type charger. Improved Diagnostics are available as an option.

FEATURES

- **RELIABILITY:** The MG Series comes complete with a 3-year full warranty (excluding lamps).
- **HOUSING:** Constructed of 20 gauge steel with a mist white enamel finish. Hinged cabinet door for easy access. Furnished standard with two Par 36 size, high impact, mar resistant, thermoplastic head with one 12 watt lamp per head.
- **MOUNTING:** Conduit knockouts and rear keyhole mounting slots are provided.
- **ELECTRONICS:**
 - ♦ Automatic, temperature compensated, pulse type charger.
 - ♦ High capacity, automatic, dust-tight instantaneous transfer relay.
 - ♦ Low voltage disconnect prevents overdischarge of battery. Automatic brownout protection is provided.
 - ♦ Labor saving AC line latch prevents battery discharge during installation to a non-energized circuit.
- **CONTROLS:**
 - ♦ Red charge monitor LED indicates state of charge of the battery.
 - ♦ Orange AC-ON LED indicates AC power is on.
 - ♦ Momentary test switch allows for quick operational check of entire system.
- **POWER REQUIREMENTS:**
 - ♦ 120/277 Vac, 60Hz, 0.3/0.15A.

APPLICATION

Our compact housing design meets most requirements for moderate loads. This unit is reliable, economical and can be used in all public areas and most commercial applications.

BATTERY

6 or 12 volt, sealed maintenance-free Lead-Calcium or Nickel-Cadmium batteries.

UNIT SELECTION CHART

Sealed Maintenance-Free Battery Types	Volts	Model No. (Unit/Lamp Suffix)	*Watts to 87-1/2% of Nominal Battery Voltage				Cabinet Size
			1-1/2 Hrs	2 Hrs	3 Hrs	4 Hrs	
Lead-Calcium	6	2MG1/LH6-M	27	18	14	-	S
		2MG2/LH6-M	54	37	28	21	L
	12	2M12G1/LH3-M	36	25	20	14	S
		2M12G2/LH3-M	54	37	28	21	L
Nickel-Cadmium	6	2MN1/LH6-M	25	18	12	-	S
	12	2M12N1/LH3-M	36	21	15	12	S
		2M12N2/LH3-M	50	36	25	18	S

12W Bi-Pin Halogen, ELF645 Heads Standard
*National Electrical Code Specification

MG Series



ORDERING FORMAT

$\frac{2}{1}$ $\frac{MG}{2}$ $\frac{2}{3}$ $\frac{/LH6}{4}$ $\frac{-M}{5}$ $\frac{-V}{6}$

- ①— **2**No. of Heads (0, 1, 2, 3)
- ②— **MG**Series/DC Voltage
(MG=6 Vdc, M12G=12 Vdc)
- ③— **2**Capacity Indicator
(See Unit Selection Chart)
- ④— **/LH6**Lamp Suffix
- ⑤— **-M**Standard Mist White Enamel Finish
- ⑥— **-V**Voltmeter (See Options)

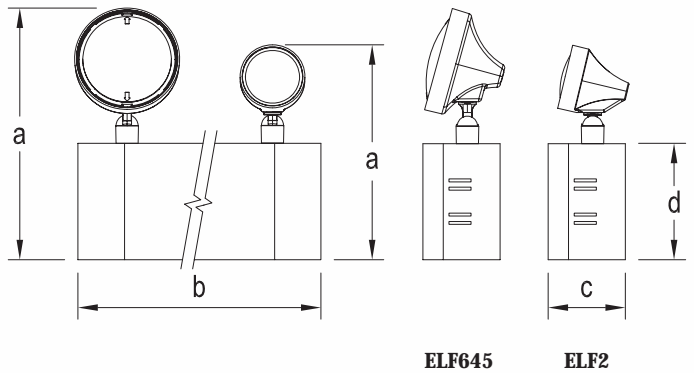
LAMP HEADS

Standard with ELF645, Par 36 size, high impact mar-resistant thermoplastic heads, furnished with 12W high intensity halogen lamps. ELF2 heads also available upon request.

Note: Optional lamps available.

DIMENSIONS

Dimensions are approximate and subject to change.



Cabinet	a	b	c	d
S	11-3/8"// 9-3/4"	11"	3-1/2"	5-1/4"
L	12-3/8"//10-3/4"	12-1/2"	4"	6-1/4"



OPTIONS

(Add suffix to Model No.)

- Black Housing and Heads (Replace -M by)**-B**
- Ammeter or Voltmeter (Choose only one).....**-A or -V***
- Disconnect Switch.....**-DS*****
- Improved Diagnostics.....**-ID****
- Improved Diagnostics, Non-Audible.....**-IDNA**
- Time Delay (12 minutes).....**-TD*****
- Tamper Proof.....**-TP**
- Front Mounted Heads (for Low Ceilings).....**-FM**
- 3-wire Cord & Plug.....**-3CP**
- 3-wire Cord & Plug (277V).....**-3CP-277**

*Not available with ID/IDNA option.

**Not available with NiCad Battery

***Not required when using the ID/IDNA option.

ACCESSORIES

(Order as separate item)

- Mounting Platform.....**MP-PQA**
- Wire Guard (S Cabinet).....**WG1-L**
- Wire Guard (L Cabinet).....**WG2-L**
- Wire Guard (Front Mounted Heads).....**WG10-L**
- Vandal Resistant Cover.....**CPS**
- Vandal Resistant NEMA-4X Cover.....**CPS-4X**