

Galaxy Series Tungsten, Fluorescent and LED Lamp Recessed Exit Installation Instructions

IMPORTANT SAFEGUARDS

When using electrical equipment, basic safety precautions should always be followed including the following:

1. **READ AND FOLLOW ALL SAFETY INSTRUCTIONS**

2. Do not use outdoors.
3. Do not let power cords touch hot surfaces.
4. Do not mount near gas or electric heaters.
5. Use caution when handling batteries. Avoid possible shorting.
6. Equipment should be mounted in locations and at heights where it will not readily be subjected to tampering by unauthorized personnel.
7. The use of accessory equipment not recommended by the manufacturer may cause an unsafe condition.
8. Do not use this equipment for other than intended use.

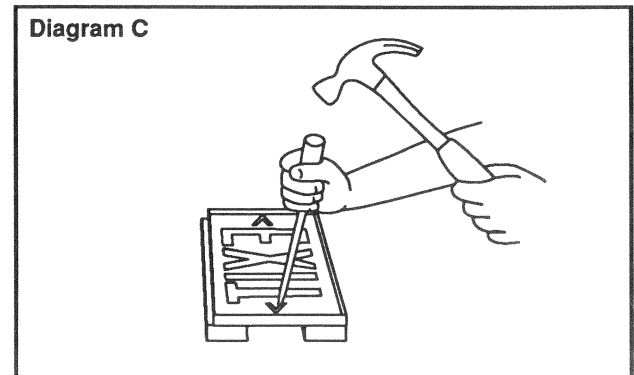
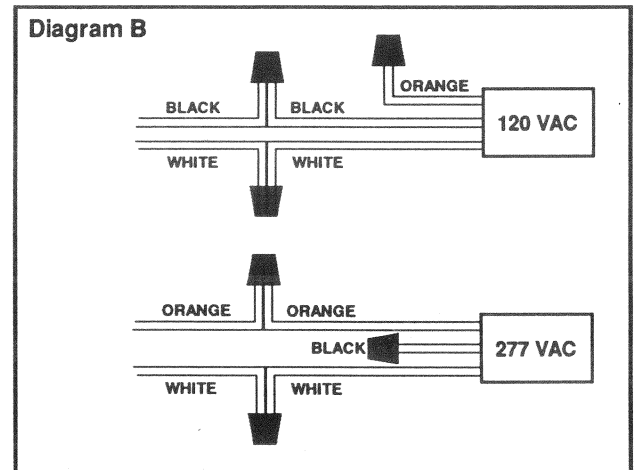
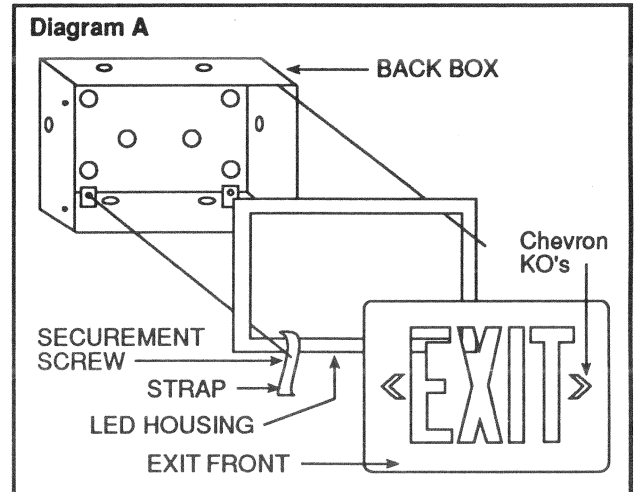
SAVE THESE INSTRUCTIONS

INSTALLATION

1. Turn off AC power.
2. Remove exit front by gripping both ends and pulling forward.
3. Remove (2) securement screws located in the lamp housing and detach lamp housing from the back box. See Diagram A.
4. Remove desired knockouts from back box and mount into wall. Route AC supply wire into box.
5. Attach wires from unit to AC supply as follows:
For 120 VAC operation — White to Neutral AC input wire, Black to 120 VAC input wire. NOTE: Be sure to insulate unused wire. See Diagram B.
For 277 VAC operation — White to Neutral AC input wire, Orange to 277 VAC input wire. NOTE: Be sure to insulate unused wire. See Diagram B.
6. To knock out chevron(s), first remove colored lens by removing four (4) retaining clips. Knock out chevron arrow(s) from the inside with a hammer and screwdriver. See Diagram C.
Remove backing from tape squares on inside of exit door and reinstall colored lens.
7. Install support strap to lamp housing.

FOR TUNGSTEN LAMP UNITS

1. For AC/DC models, connect remote DC feed wires to DC lamps. NOTE: Polarity does not need to be observed when wiring DC lamps.
2. For self-powered units, connect red battery leads together with wire nut provided.
3. Mate AC connector from supply wires to AC connector from lamp housing.
4. Mount lamp housing in back box with securement screws.
5. Install AC and, if applicable, DC lamps.
6. Reinstall exit front.
7. Energize AC. AC lamps will illuminate.



(Continued on Back)

ALL SERVICING SHOULD BE PERFORMED BY QUALIFIED SERVICE PERSONNEL

FOR FLUORESCENT LAMP UNITS

1. For AC/DC models, connect remote DC feed wires to DC lamps. **NOTE:** Polarity does not need to be observed when wiring DC lamps.
2. Mate AC connector from supply wires to AC connector from lamp housing.
3. Mount lamp housing in back box with securement screws.
4. Install AC and, if applicable, DC lamps.
5. Reinstall exit front.
6. Energize AC. Fluorescent lamps will illuminate.

TESTING

For Tungsten and Fluorescent Self-Powered Signs

To test, depress test switch, DC lamps will illuminate. Allow unit to charge for 24 hours before initial full load testing.

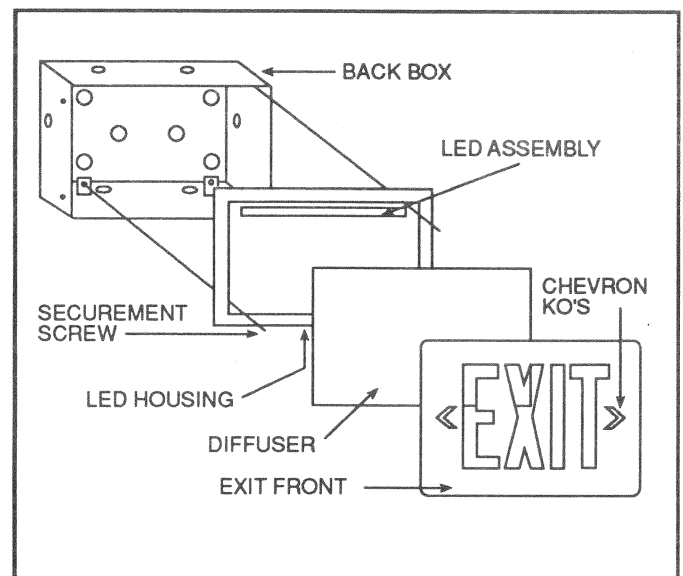
FOR LED UNITS

1. For AC/DC models, connect remote DC feed wires to DC input harness, RED, positive and BLUE, negative. **NOTE: Polarity Must Be Observed.**
2. For Self-Powered units, connect red battery leads together.
3. Mate AC connector from supply wires to AC connector from lamp housing. See Diagram B.
4. Mount lamp housing in back box with securement screws.
5. Reinstall exit front.
6. Energize AC. Exit legend and pilot lamp will illuminate.

TESTING

For LED Self-Powered Signs

Power up unit for a minimum of 30 minutes. Depress test switch, pilot light will extinguish and legend will remain illuminated, (briefly for initial installation). Allow unit to charge for 24 hours prior to initial full load testing.



MAINTENANCE (All Units)

None required unit should be tested monthly in accordance with the requirements of NFPA 101, Life Safety Code, or local codes.

IMPORTANT NOTICE

Self-Powered units are furnished with a battery. If the building is to be unoccupied for an extended period of time and all the power is to be disconnected, then the internal batteries must be disconnected to prevent damage. Do not allow the battery wires to short-circuit.

ALL SERVICING SHOULD BE PERFORMED BY QUALIFIED SERVICE PERSONNEL