

Simplicity™ Premium SLED & SPLED Series

Premium die-cast aluminum and laser-etched acrylic edge-lit exit sign



Construction

- Universal mount housing models use (D) dome and (P) pyramid, trim plate, trim ring and canopy made of die-cast aluminum
- Fully recessed only mount housing with (Z) flat trim plate includes steel back-box and hanger bars
- U-shaped clear acrylic legend panel features laser-etched letters and chevrons
- 6 inch EXIT lettering legend, available in red or green
- 8 inch EXIT lettering legend, available in red
- Choice of finishes: white, black or brushed aluminum, dark bronze, polished brass and polished chrome

Mounting

- (D) Dome and (P) pyramid trim models modular design allows for surface, wall, end or ceiling mount, as well as, recessed wall or ceiling applications
- (D) Dome and (P) pyramid trim models include a canopy for surface wall, end or ceiling mount and for recessed wall or ceiling applications a trim ring and hanger bars for installation into t-bar grid

Chevrons



Chevron right (R) single face



Chevron left (L) single face



Single face, double chevron (1D) double face, double chevron (2D)



Double face, single chevron (RL) represents each side of a double face panel.

Housing color



Brushed aluminum



White



Black



Dark bronze (painted)



Polished brass



Polished chrome

- (D) Dome and (P) pyramid trim models housing is brushed aluminum with conduit knock-out 1/2", top back and end
- (Z) Flat trim models are for RECESS MOUNTING ONLY and can not be used for surface mount applications
- (Z) Flat trim models include a unfinished steel back-box and hanger bars for installation into ceiling and t-bar grid

Special wording panels

Available. Contact your sales representative with your design requirements

Electronics

- Optional Improved Diagnostics
- Optional Nexus® monitoring system
- 120-277 60Hz

Approvals

- UL 924 listed
- Meets NFPA101 (Life Safety Code), NFPA 70 NEC, OSHA illumination standards
- ROHS compliant
- E-California Energy Commission Title 20

Warranty (subject to proper installation and maintenance)

Unit has a Five-year limited warranty

Detailed warranty terms located on **page 182** or online at: www.lightalarms.com



nexus



id.
improved diagnostics



Trim plates



(D) Dome Trim Plate



(P) Pyramid Trim Plate



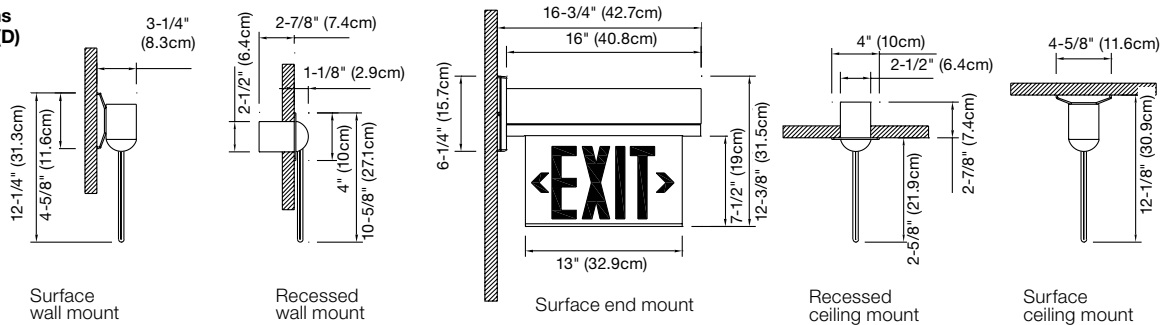
(Z) Flat Trim

(D) Dome Trim Plate and (P) Pyramid Trim Plate photo/text (D) & (P) trims used with universal surface and recess mount housing models

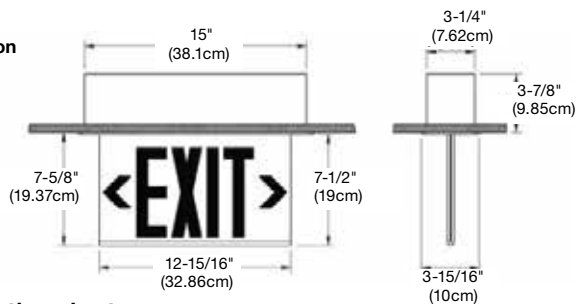
For recess mount applications ONLY (housing is not universal)

Dimensions (Dimensions are approximate and subject to change):

Mounting applications available with dome (D) and pyramid (P) trim plates

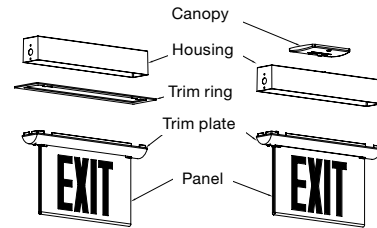


Mounting application available with flat (Z) trim plate - recessed ceiling mount only



When using (D) Dome Trim or (P) pyramid models:

For Recessed mount, use these components



Power consumption chart

Model	AC Specs	DC Specs
AC-Only	120-277VAC, 60Hz (Less than 1.4W)	-
AC/DC	120-277VAC, 60Hz (Less than 1.4W)	6 to 24VDC (Less than 1.4W)
Self-powered	120-277VAC, 60Hz (Less than 2.3W)	Nickel-Cadmium battery (Min. 90 minutes)
Self-powered diagnostic	120-277VAC, 60Hz (Less than 2.3W)	Nickel-Cadmium battery (Min. 90 minutes)

Accessories (Order as a separate item)

Product code	Description
PW-*	Pendant, white
PB-*	Pendant, black
PA-*	Pendant, gray

* Specify pendant length (12", 24", 36", etc).

Ordering format

Legend	Series	Housing color	Legend color	Panel background color	Trim plate	Chevron	Charger type	Options
Blank = 6" EXIT legend	SLEDN = AC-only	A = Brushed aluminum	R = Red	C = Clear (single face only)	D = Dome ²	Blank = No chevron (single face sign)	Blank = AC only	Blank = No option
8 = 8" EXIT legend	SPLEDN = Self-powered	W = White	G = Green	W = White (single or double face)	P = Pyramid ²	2 = No chevron (double face sign)	-DC = AC/DC model 6 to 24VDC	-FAF = Fire alarm flasher (SP only)
		B = Black		M = Mirror (single or double face)	Z = Flat trim ³	L = Left chevron (on a single face sign)	-ID = Self-test and diagnostic (SP only)	-FB = Flasher & buzzer (SP only)
		DB = Dark bronze (painted)				R = Right chevron (on a single face sign)	-NEX = Nexus [®] Wired ¹	-LP = Panel shipped separately
		PB = Polished brass				RL = Left & right chevron (double face sign, one chevron on each side)	-NEXRF = Nexus [®] Wireless ¹	-X = Back box shipped separate
		CH = Polished chrome				1D = Double chevron (on single face)	-Y = Two circuits (AC only)	
						2D = Double chevron (double face sign, two chevrons on each side)		
						UA = (2 Qty) for single & (4 Qty) for doubles universal field stick on chevrons per face		
						2UA = Double face with universal stick on chevrons		

Example: SLEDNARWDLY

¹ Consult your sales representative. For Special Wording, please contact your sales representative.

² Universal housing for Surface or Recessed mount applications

³ Fully Recessed ONLY applications (not to be used for surface mount)