

Grande™ Series

Thermoplastic housing 6V up to 60W & 12V up to 72W capacities



BATTERY UNITS

Housing

- White or Black UV stabilized thermoplastic enclosure
- Clear polycarbonate lens covers
- Choice of MR16 LED lamp wattages

Mounting

- Wall Mount, Ceiling Mount and pendant mount (optional)
- Universal J-Box mounting

Electronics

- Pulse plus charger
- Low voltage disconnect
- Automatic brownout protection
- Battery lock-out
- Fused output circuit
- Optional: Improved Diagnostics
- Optional: Nexus® monitoring system
- 120/277 60Hz

Photometric performance

Lamp	Spacing center-to-center (feet)	
	7 feet mounting height	15 feet mounting height
LD1	39'	34'
LD2	74'	57'
LD7	49'	39'
LD9	68'	54'
LD10	89'	80'

See lamps next page

Grande™ Thermoplastic Family



Grande™ Exit series
PG. 36-37

Grande™ Combo series
PG. 38-39

Grande™ Compact Battery series
PG. 88-89

ELF640 & ELF650 Remote series PG. 136-137

Choice of Battery

- 6V or 12 V Lead-calcium battery
- 6V or 12V Nickel-cadmium battery

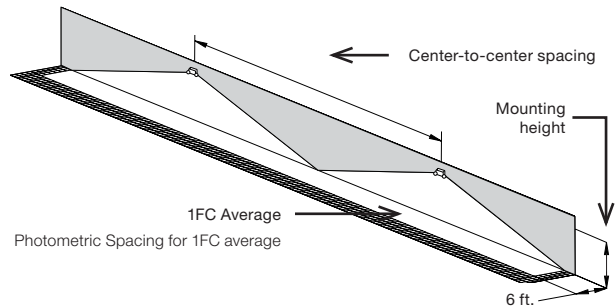
Approvals

- UL 924 Listed
- UL 94, 5VA flame rated Thermoplastic housing
- Damp location listed 50°F to 104°F (10°C to 40°C)

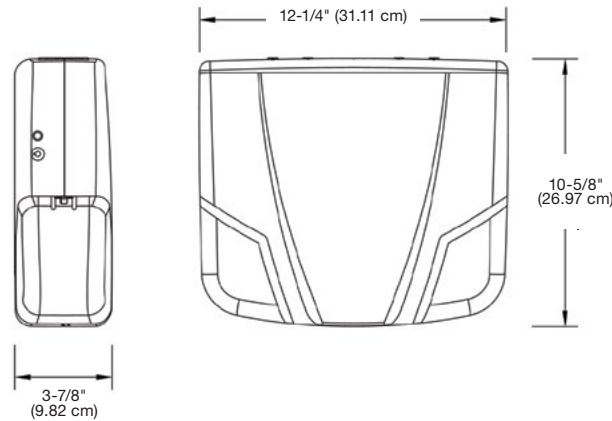
Warranty (subject to proper installation and maintenance)

Unit: five-year full warranty

Detailed warranty terms located on [page 197](#) or online at: www.lightalarms.com



Dimensions (Dimensions are approximate and subject to change)



Accessories (Order as a separate item)

Description	Product code
Wire guard (Wall mount)	WG1-L
Wire guard (ceiling mount)	WG5-L

Power consumption chart

Series	Battery	Voltage	DC Specs				AC Specs	
			Battery capacity (in watts)				Units dual voltage ¹	Current Maximum
			90 Mins	2 Hrs	3 Hrs	4 Hrs		
GRA6	Lead-Calcium	6V	60	40	30	20	120VAC 277VAC	0.25A 0.12A
GR12A4		12V	40	30	20	15		
GR12A7		12V	72	54	36	27		
GRN2	Nickel-Cadmium	6V	20	15	10	8	120VAC 277VAC	0.2A 0.1A
GR12N4		12V	40	30	20	15		

¹ All units 120/277 dual voltage, information based on wiring to specific voltage type

Ordering format

Number of heads	Series/Capacity	Lamp type ²	Housing color	Diagnostic	Options
Blank = No heads	Lead-Calcium battery	MR16 LED Lamp	M = Mist white	Blank = Standard	Blank = No Options
2 = Two heads	GRA6 = 6V-60W ¹	LD1 = 6V-4W	B = Black	ID = Improved	-CM = Ceiling mount
	GR12A4 = 12V-40W	LD2 = 6V-5W		Diagnostics (audible) ²	-DL = Damp location
	GR12A7 = 12V-72W	LD7 = 12V-4W		IDNA = Improved	[50°F -104°F (10°C - 40°C)]
	Nickel-Cadmium battery	LD9 = 12V-5W		Diagnostics (non audible) ²	-PM = Pendant mount
	GRN2 = 6V-20W	LD10 = 12V-6W		NEXRF = Nexus® wireless compatible (consult your sales representative) ²	-T3 = Time delay (15 minute)
	GR12N4 = 12V-40W				-3CP = 120V Cord & plug, 3 wire, 3ft long ³
					-3CP277 = 277V Cord & plug, 3 wire, 3ft long ³
					-240/50 = 240V, 50Hz

Example: 2GRA6LD1M

¹ Not available with damp location

² Minimum lamp load required: 20% of capacity

³ -3CP & -3CP277 custom lengths available . Consult your sales representative