

Severe™ XV12E & XV24E Combination Series

NEMA-4X, vandal resistant and harsh environment combination unit



Construction

- Full gasketed NEMA-4X housing
- Faceplate: heavy-duty, vandal-resistant polycarbonate
- Backplate: heavy-duty aluminum
- Heads protected by clear polycarbonate lens
- Comes with both Phillips head and tamper-proof screws
- 6 inch EXIT lettering legend, available in red or green
- Field-selectable chevrons
- Choice of finishes: white, black or gray
- IK10 impact resistance

Lamp type

Choice of MR16 LED lamp voltages and wattages

Mounting

- Surface mount
- Canopy included for end or ceiling mount applications
- Universal J-box mounting
- ½ inch conduit entry on top and sides

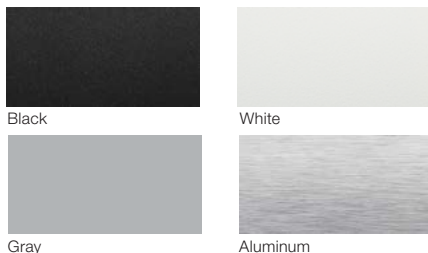
Choice of battery

- XV12E model, nickel-cadmium battery, 6V-12W total battery capacity
- XV24E model, nickel-cadmium battery, 12V-24W total battery capacity

Special Wording Panels

- Available. Contact your sales representative with your design requirements

Frame/face plate color



The Bluetooth® word mark and logos are registered trademarks owned by Bluetooth SIG, Inc. and any use of such marks by ABB Inc. is under license. Other trademarks and trade names are those of their respective owners.

The Severe™ NEMA-4X Rated and NSF Certified Family



Severe™ XV exit series
PG. 48-49



Severe™ V battery unit
PG. 102-103



Severe™ ELF650 remote series
PG. 137

Electronics

- Magnetically operated test switch
- Standard **Improved Diagnostics (non-audible)**
- Standard 15 minutes time delay
- Optional Nexus®Pro IoT monitoring system
- Optional Nexus® wireless monitoring system
- 120/277 60Hz

Approvals

- UL 924 listed
- UL listed for wet and damp location
50°F to 104°F (10°C to 40°C)
- UL listed for cold weather option -40°F to +104°F
(-40°C to +40°C)
- Meets NFPA101 (Life Safety Code), NFPA 70 NEC, OSHA illumination standards

Warranty (subject to proper installation and maintenance)

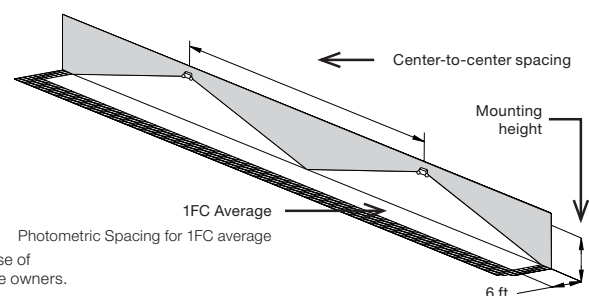
Five year limited warranty

Detailed warranty terms located on [page 197](#) or online at: www.lightalarms.com

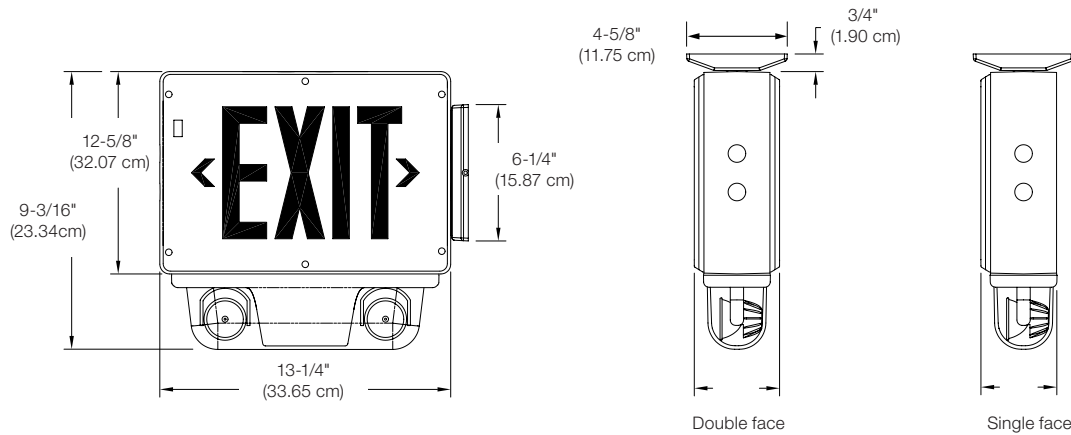


Photometric performance

| Lamp | Spacing center-to-center (feet) | |
|------|---------------------------------|-------------------------|
| | 7 feet mounting height | 15 feet mounting height |
| LD1 | 39' | 34' |
| LD2 | 74' | 57' |
| LD7 | 49' | 39' |
| LD9 | 68' | 54' |
| LD10 | 89' | 80' |



Dimensions (Dimensions are approximate and subject to change):



Power consumption chart & unit rating

| Series | AC specs | | | Battery | DC specs | | | |
|------------------------|------------------------|----------------------------|---------|----------------|---------------------------|--------|--------|--------|
| | AC Input | Current Draw | Voltage | | Battery capacity in watts | | | |
| | | | | | 1-1/2 Hrs. | 2 Hrs. | 3 Hrs. | 4 Hrs. |
| XV12E | 120/277VAC, 50/60Hz | 0.12/0.06A (Less than 13W) | 6V | Nickel-cadmium | 12 | 9 | - | - |
| XV24E | | 0.17/0.08A (Less than 19W) | 12V | | 24 | 18 | 12 | 9 |
| Models with CW4 Option | | 0.24/0.12A (Less than 25W) | | | | | | |

Accessories (Order as a separate item)

| Description | Product code |
|--------------------------|--------------|
| Tamper-proof bit (extra) | 690.0454-L |

Ordering format

| Housing/ face color | Series/ capacity | Faces | Legend color | Diagnostic |
|--|---|--|---|--|
| Blank = Black/black BW = Black/white BA = Black/aluminum WW = White/white WB = White/black WA = White/aluminum GA = Gray/aluminum GW = Gray/white GB = Gray/black | XV12E = 6V-12W XV24E = 12V-24W | -1= Single face -2= Double face | R = Red G = Green | D = Improved Diagnostics (non-audible, standard) DA = Improved Diagnostics (audible) NEXP = Nexus® Pro IoT NEXRF = Nexus® wireless |
| | Housing | # of heads | Lamp type | Options |
| | -4X= NEMA-4X housing | /0= 0 head ¹ /2= Two heads | MR16 LED LD1= 6V-4W LD2= 6V-5W LD7= 12V-4W LD9=12V-5W LD10=12V-6W | -208V= 208VAC, 60Hz input -240V= 240VAC, 60Hz input -208V50HZ= 208VAC, 50Hz input -CW4= Cold weather 120/277V (-40°F/-40°C) ² -CM= Canopy pendant mount |
| Example: WWXV12E1RDA4X/2M6CW4 | | | | |

¹ A remote load must be connected
² Single face only