

Remote Head & Unit Head DR Series

Decorative metal MR16 lamp head



Description

- Indoor use
- Powder-coated die cast aluminum construction

Finish

- Mist-white or black

Lamp type

- Choice of MR16 LED lamp voltages and wattages

Mounting

- Surface mount
- Universal J-Box mounting

Warranty (subject to proper installation and maintenance)

Unit: three year full warranty

Detailed warranty terms located at: www.lightalarms.com



Accessories (Order as a separate item)

Description	Product code
Wire guard for DR1130, DR2130	WG8-L
Wire guard for DR3130	WG2-L

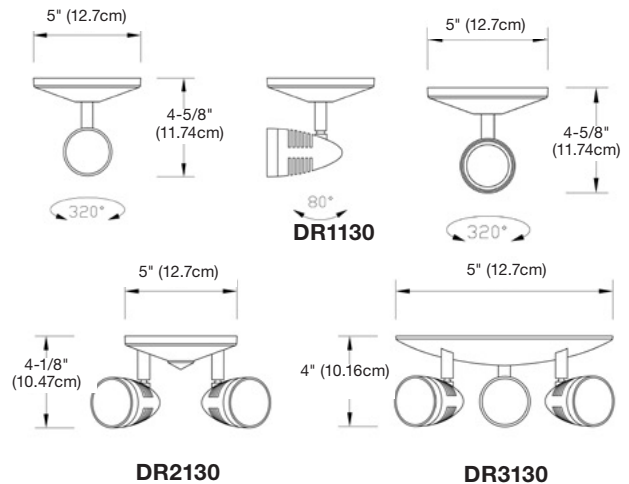
Ordering format

Series	Lamp suffix	Color	Voltage
DR1130= Single head		-WH= White	6= 6VDC
DR2130= Double head	/ _____ ¹	-BK= Black	12= 12VDC
DR3130= Triple head			24= 24VDC

Example: DR1130/LD7-WH12

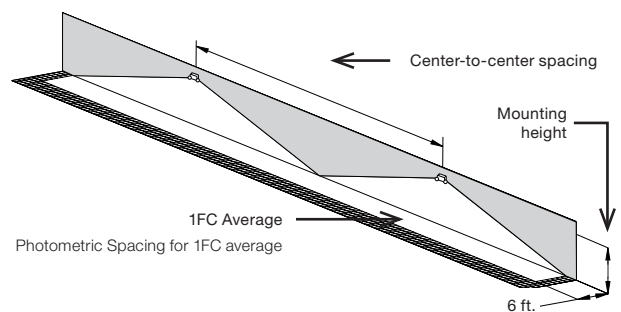
¹Choose from lamp selection chart

Dimensions (Dimensions are approximate and subject to change)



Photometric performance

Lamp	Spacing center-to-center (feet)	
	7 feet mounting height	15 feet mounting height
LD1	43'	36'
LD2	81'	64'
LD7	55'	43'
LD9	71'	56'
LD10	100'	85'
LD13	56'	44'
LD14	100'	85'
LD25	43'	39'



Lamp selection chart – MR16 LED lamps

Lamp suffix	Voltage	Wattage	Lumens	Replacement #
LD1	6	4	130	580.0097-L
LD2	6	5	415	580.0122-L
LD7	12	4	170	580.0093-L
LD9	12	5	340	580.0104-L
LD10	12	6	540	580.0106-L
LD13	24	4	200	580.0098-L
LD14	24	4	590	580.0100-L
LD25	120	6	200	580.0010-L