

## X2 Squire Series

### Thermoplastic LED Exit and Combination Unit Sealed Maintenance-Free Lead Calcium or Nickel-Cadmium Battery UL Listed

The X2 Squire Series is compact, easy to install and affordable. This series is ideally suited for commercial and institutional applications.

#### FEATURES

##### Reliability

The X2 Squire Series has three-year full warranty (excluding batteries and lamps).

##### Unit Data

The housing is constructed of a durable thermoplastic, available in mist-white or black. Units come standard with two stencil plates, red diffusing lens and backplate for universal wall, end or ceiling mount. Stencil and open face signs have programmable directional chevrons. The light source of the exit sign will be red LED technology (ALINGAP), which will provide a uniform illumination on the legend. Batteries provide 90 minutes of emergency operation.

##### Lamp

Standard emergency illumination is provided by two, 6-watt incandescent, Par 18 or Par 36 size lamps assemblies. These heads are molded of high impact thermo-polymer material. Heads are mounted directly to the front of the power pack or can be remotely mounted. MR16 and quartz bi-pin halogen lamps are also available (Mini Heads only).

##### Circuitry

Fully integrated circuitry includes a 2-wire 120-277Vac AC voltage input regulator, as well as an automatic, constant-current battery charger with solid-state transfer and AC-LED monitor and test switch.

##### Choice of Models

##### Combination Units

- Remote capacity Lead Calcium models
- No heads = 30 Watts remote capacity
- Two 6-watt ELF2 heads = 18 Watts remote capacity

##### Remote capacity Nickel-Cadmium models

- No heads = 24 Watts remote capacity
- Two 6-watt ELF2 heads = 12 Watts remote capacity

##### Power Requirements

120/277 Vac 60Hz, 0.3/0.15 Amp (Self-powered models)

#### OPTIONS

(Add Suffix to Model No.)	Suffix
Flasher/Buzzer .....	-FB
Vandal Resistant Screws .....	-VR
Fire Alarm Flasher .....	-FAF

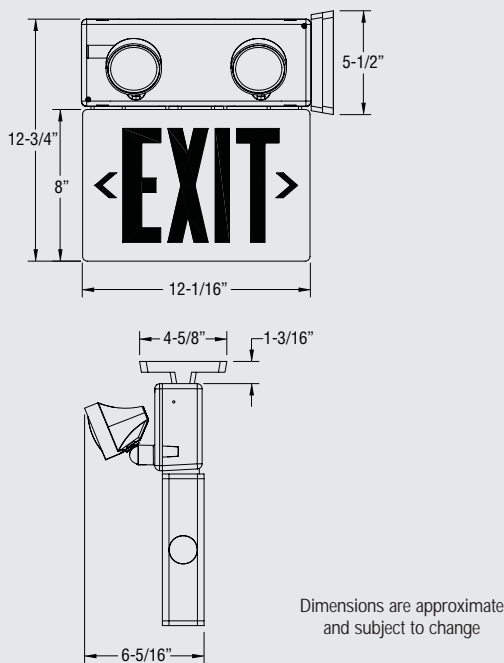
#### ACCESSORIES

(Order as a separate item)

Black Pendant .....	PB-*
White Pendant .....	PW-*
Wire Guard (Wall mount) .....	WG6
*Specify pendant length (12", 24", 36" etc.)	



#### DIMENSIONS



#### UNIT RATING CHART

Total DC power available for local and remote emergency lights.

Battery Type	DC Voltage	Model Number	*Watts to 87-1/2% of Rated Battery Voltage			
			1-1/2 Hrs.	2 Hrs.	3 Hrs.	4 Hrs.
Lead-Calcium	6	UX2E	30	20	15	10
Nickel-Cadmium	6	UX2EN	24	18	12	9

\*National Electrical Code Specification

#### ORDERING FORMAT

U	X2	E	W	R	W	LED	/O	-FB
<b>Series</b> Blank= Single face no canopy U= Universal 2 faces & canopy	<b>Model</b> X2 Series	<b>Type</b> E= Self-Powered Lead Calcium EN=Self-Powered Nickel Cadmium	<b>Color</b> W=White B=Black	<b>Letter Color</b> R=Red G=Green	<b>Stencil</b> W=White B=Black A=Aluminum	<b>Light</b> LED=LED	<b>Combo Unit</b> /O=0 heads power use for remote fixtures /1L=1 Large head /1M=1 Mini head /2L=2 Large heads /2M=2 Mini heads	<b>Options</b> -FB= Flasher/Buzzer