



Severe "XV" Series Exit

**Nema-4X Self-Powered LED Exit Sign
Standard with Diagnostic/Self-Test Feature
Sealed Maintenance-Free Nickel-Cadmium Battery
Standard Damp Location Listing (10°C - 40°C)
(50°F-104°F)
UL Listed**

The Severe "XV" Series Exit is housed in an industrial-grade polyvinyl chloride enclosure. This exit was designed specifically for harsh environments that would strain standard exit signage such as schools, transit platforms, parking garages, wet and cold locations as well as any location prone to vandalism.

FEATURES

Reliability

The Severe "XV" Series exit has a five-year full warranty (excluding batteries).

Unit Data

The housing is fabricated of a polyvinyl chloride enclosure, which is fully gasketed around the lens and canopy to prevent water infiltration. The sealed faceplate is constructed of a heavy-duty, vandal-resistant polycarbonate and features an evenly illuminated legend. This faceplate is fastened with stainless steel tamper-resistant screws and the Severe "XV" series comes standard with a magnetically operated test switch. Diagnostic/Self-Test circuitry is standard on all self-powered models.

The light source of the exit sign will be red LED technology (ALINGAP), which will provide a uniform illumination on the legend. Models can be wall, end or ceiling mounted. Legend and chevron complies with UL and CSA requirements. Sealed, maintenance-free Nickel-Cadmium batteries offer superior performance, long life and 90 minutes of emergency operation.

Applications

- High Abuse Areas, • Vandal Prone Areas,
- Damp and Wet Locations, • NEMA 4X rated,
- Hose Down Areas,
- Cold Temperatures,
- Food Processing/Preparation

High Performance Circuitry

- Self Contained... Batteries & circuitry located inside the exit housing.
- Continuous self-diagnostic monitoring and monthly self testing.
- Fully automatic charger is solid state.
- Universal 2 wire AC input (100 through 347VAC)
- Sealed, maintenance-free nickel cadmium provide 90 minutes of emergency operation.
- Batteries recharge per UL924 requirements.

Power Requirements

Universal voltage, 2-wire input 120/277Vac, 50/60Hz

OPTIONS

(Add Suffix to Model No.)	Suffix
Dual Circuit Operation (120/120 or 277/277)	-2 *
Fire Alarm Activated Flasher	-FAF
Flasher/Buzzer (Self-Powered Only)	-FB
Flasher	-1
AC/DC Remote (6 to 24Vdc)	-DC
Cold weather unit (-20°C) (-4°F) (Self-Powered models only).....	-CW
Open face/special wording.....	-Y

* AC only units.

ACCESSORIES

(Order as a separate item)	
Convert single face to double face, red	DFKR- *
Convert single face to double face, green	DFKG- *
Canopy Pendant Mount.....	CM
Tamper-Proof Bit (extra) (690.0454)	TPB

*Specify White (WT) or Black (BK)housing

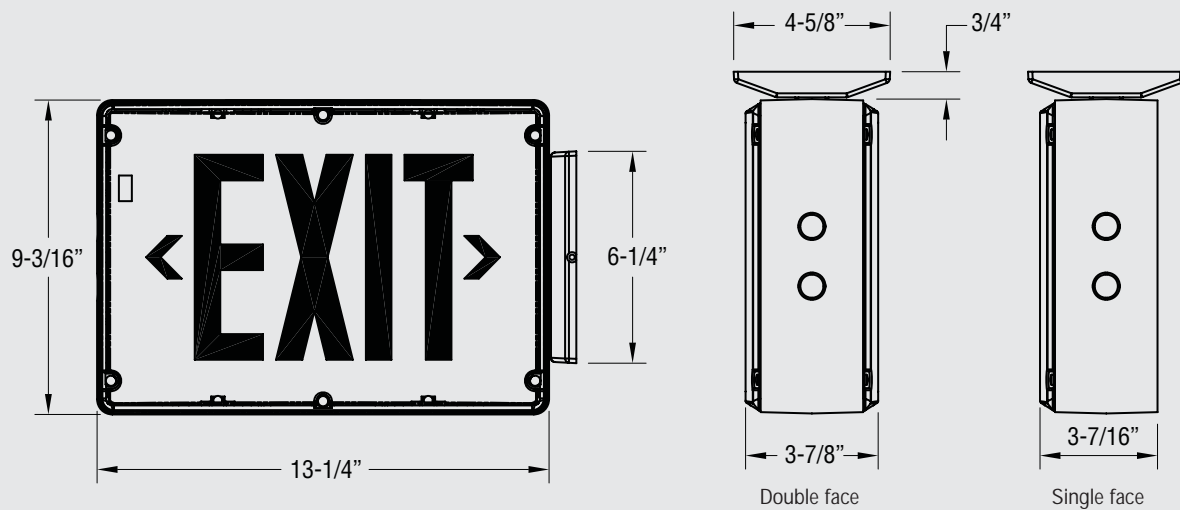
DIAGNOSTIC/SELF-TEST FEATURE (standard)

Diagnostic / Self Test circuitry is standard on all self-powered models. This circuitry is programmed to ensure the exits readiness and reliability by continuously monitoring every critical function of the unit. If a problem occurs, a single service required indicator illuminates immediately. A detailed diagnostic display is located on the inside of the exit sign, out of sight from the general public. The detailed diagnostic display inside the exit sign will further indicate the nature of the fault. The self test will test the unit for 30 seconds every 30 days, 30 minutes every 60 days and 90 minutes annually.

POWER CONSUMPTION CHART

Model	AC Specs		DC Specs	
AC-only	120 to 277Vac	1.2W	-	-
AC/DC	120 to 277Vac	1.2W	6 to 24 VDC	Less than 1.5 W
Self-powered	120 to 277Vac	3.7W	NiCad battery	Min. 90 minutes

DIMENSIONS



Dimensions are approximate and subject to change

ORDERING FORMAT

	XVE	-1	-R	-D	-4X	-2
Color Option, Housing/Face	Series	Faces	Legend colors	Diagnostics	Housing	Options
Blank = Black/Black	XV = AC-only	-1 = Single face	-R = Red	Blank = AC-only models	-4X	Dual Circuit Operation (AC-only units)
BW = Black/White	XVE = Self-powered	-2 = Double face	-G = Green	-D = Standard on all self-powered Models	Standard NEMA-4X housing	
BA = Black/Aluminum	Nickel-Cadmium Battery					
GB = Gray/Black						
GW = Gray/White						
GA = Gray/Aluminum						
WB = White/Black						
WW = White/White						
WA = White/Aluminum						

Severe™ NEMA-4X Rated Family

The Severe™ XV Series exit sign is a part of the Severe family of NEMA-4X Rated emergency lighting products. A complete emergency lighting solution for commercial and industrial environments where humidity, dust, water infiltration and the risk of vandalism are specification criteria, these products deliver state-of-the-art illumination in a visually appealing package.



Severe™ XV Combo Series
p.39



Severe™ V Series Battery Unit
p.40-41



Severe™ ELF650 Remote Series
p.49