



Quickie II "QLXN500-SQ" Series

Quickie II – Thermoplastic LED Combination Units
Sealed Maintenance-free Lead Calcium battery
Damp location listing is standard on all models
UL Listed

The Quickie II "QLXN500-SQ" series is our combo unit with field adjustable heads to accommodate job site mounting requirements.

FEATURES

Reliability

The Quickie II "QLXN500-SQ" series has a three-year full warranty. (excluding lamps, batteries and fuses)

Unit Data

The housing, faceplates and canopy are constructed of a durable high-impact thermoplastic material (94,5VA Flame rating) available only in mist-white. The combo is suitable for wall or ceiling mount and comes standard with two faceplates, a backplate and a snap-fit canopy that requires no hardware to secure to the unit.

The two, 6 volt, 6-watt wedge base, glare-free emergency lighting heads can be positioned as top mount or side mount without disassembly or rewiring of the unit.

The light source of the exit sign will be red LED technology (ALINGAP), which will provide a uniform illumination on the legend. LED lamps are operated in normal (AC in put) and emergency (DC input) modes.

The combo is powered in the emergency mode by a sealed, maintenance-free Lead Calcium battery that is pre-wired to accommodate an additional battery should a remote load be required. Remote capacity – may power additional remote heads (up to 6 Volt, 12 Watt) with additional battery

Lamp

The combo comes standard with two fully adjustable, glare-free, 6 volt, 6 watt wedge base lamps.

Circuitry

Fully integrated circuitry includes a 2-wire 120-277Vac AC voltage input regulator, as well as an automatic, constant-current battery charger with solid-state transfer and AC-LED monitor and test switch.

Power Requirements

Universal voltage, 2-wire input 120/277Vac, 60Hz

OPTIONS

(Add Suffix to Model No.)

Suffix

*Remote Capacity (in watts)R

ACCESSORIES

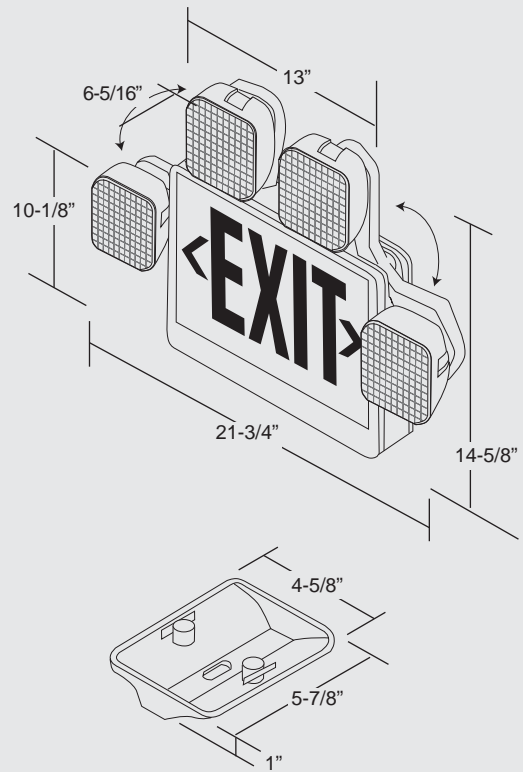
(Order as a separate item)

Wire Guard (heads in any position).....WG10

Replacement Battery860.0004

Replacement Lamp (standard).....570.0012

DIMENSIONS



Dimensions are approximate and subject to change

ORDERING FORMAT

UQLXN500	R	2SQ	R
Series	Stencil Face (letters)	Light Heads**	Capacity Indicator
Self-powered	R=Red G=Green	2SQ=Lamp standard 6V 6W	Blank=No remote capacity R=12W remote capacity*

Do not exceed rated unit capacity.

