

Permanence™ Series

Dual-Purpose Decorative Wall or Ceiling Luminaire
Sealed Maintenance-Free long life, Nickel-Cadmium Battery
Evaluated to UL 924 Standard

The Permanence™ Series was designed for institutional and commercial environments where overall style of décor is essential, but directional lighting is not critical. The unit is available as surface mount, semi-recessed or fully recessed mount.

FEATURES

Reliability

The Permanence™ Series has a three-year full warranty (excluding lamps and fuses).

Unit Data

The battery, lamps and the electronic circuitry are installed on an inner metal chassis, constructed of rugged 20-gauge steel. The front and side translucent diffusers are made of injection molded, durable polycarbonate, which completely encompass the lamps, AC pilot light and test switch. Each unit is equipped with a dedicated connector for quick disconnect of the AC line. Choice of white, black or gray finishes. The Permanence™ Series can be surface mounted or recessed for ceiling and wall-mount applications. The recessed models are furnished standard with steel trim plate. Permanence is offered with options of dual mode illumination, emergency lighting and normal illumination, as well as AC-only units.

Lamp Heads

The standard unit will include two high-efficiency, 11 watts (950 lumens each) compact fluorescent lamps or optional one PL 27 watt CFL. Normally on models will be powered by high efficiency, high frequency ballasts. Failure (absence) on one lamp will not affect the function of the second lamp. Emergency mode initial light output shall be at least 50% of rated lamp output lumen.

Charger

A new generation, solid state circuitry including battery charger and high frequency inverters to drive the compact fluorescent lamps. Failure (absence) of one lamp shall not affect the function of the second lamp. The battery unit will supply the rated load for a minimum of 90 minutes.

Power Requirements

- 120Vac, 60Hz, 0.06 Amps, 7 watts
- 277Vac, 60Hz, 0.03 Amps, 7 watts

IMPROVED DIAGNOSTICS (optional)

The unit will come complete with a self-diagnostics micro-controller board. The unit shall self test for 1 minute every 30 days, 30 minutes on the 6th month and 90 minutes every 12 months.

OPTIONS

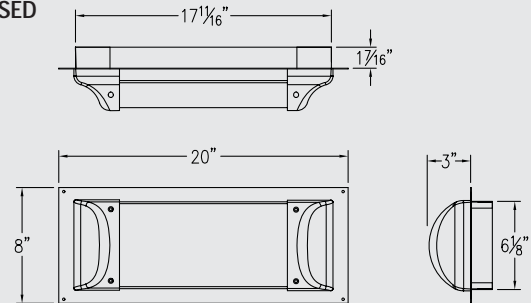
(Add Suffix to Model No.)	Suffix
Improved Diagnostics, Non-Audible	-IDNA
Damp Location (10°C to 40°C), (50°F to 104°F), normally-off only	-DL
Recessed Mount	-RM *
Recessed Mount T-Bar	-RT *

* Note: Recessed is NI (Non Insulation)

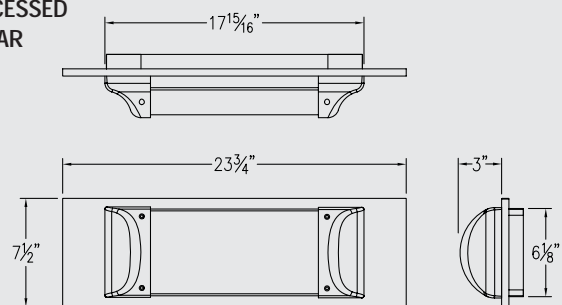


DIMENSIONS

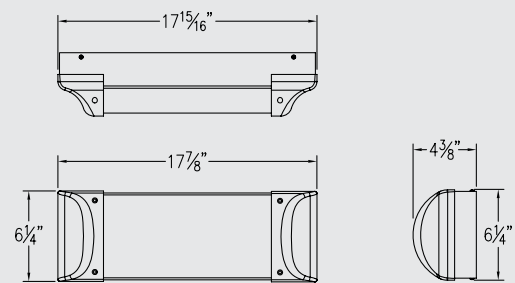
RECESSED



RECESSED T-BAR



WALL MOUNT



Dimensions are approximate and subject to change.

ORDERING FORMAT

PER	M	SP	12	W		-IDNA
Series	Unit Type	Emergency Back-up	Voltage/ Lamp Wattage	Body Color	Mounting Options	Options
PER=	M=Normally-On	SP=Self-Powered	11=120Vac, 1 x 27W, PL	W=White	Blank=Surface Mount	-IDNA=
Permanence	NM=Normally-Off		21=277Vac, 1 x 27W, PL	B=Black	RM=Recessed Mount	Improved
Fixture			12=120Vac, 2 x 11W, PL	G=Gray	RT=Recessed Mount	Diagnostics
			22=277Vac, 2 x 11W, PL		T-Bar	Non-Audible