

Cavalier® II (CA-2) Series

6 Volt Decorative Style Equipment
Maintenance-Free Sealed Lead-Calcium or Nickel-Cadmium Battery (optional)
UL Listed

The Cavalier® II (CA-2) Series, is an aesthetically attractive, economical unit in a compact, contemporary design. It is ideal for commercial and institutional facilities.

FEATURES

Reliability

The Cavalier® II (CA-2) Series has a three-year full warranty (excluding lamps and fuses).

Unit Data

The housing is Injection molded from high impact, scratch and corrosion resistant thermoplastic and is available in an architecturally attractive mist white color. Optional Black housing is also available. The Cavalier® II Series easily mounts to wall or ceiling with independent, universal mounting plate. AC and battery quick connect plugs simplify wiring for quick and easy installation. This unit is also suitable for damp locations.

Lamp

Furnished standard with two fully adjustable PAR 36 size lamp heads with high intensity incandescent lamps or optional halogen lamps. CA-2 is available with optional 6 watts halogen lamp. CA-3 is available with optional 6, 8 or 10 watts halogen lamp.

PulseType Charger

- Automatic, temperature compensated, pulse type charger.
- High capacity, automatic, dust-tight instantaneous transfer relay.
- Low voltage disconnect prevents overdischarge of battery. Automatic brownout protection is provided.
- Labor saving AC line latch prevents battery discharge during installation to a non-energized circuit.
- Fused output circuit.

Controls

Combination test switch/charge monitor LED indicates battery is on charge and allows for periodic testing of the unit.

Power Requirements

Maximum 10 watts at 120/277Vac.

OPTIONS

(Add Suffix to Model No.)

	Suffix
Black	-B
Self Diagnostics	-SD
Voltmeter (not available with diagnostics)	-V
3-Wire Cord & Plug (120V)	-3CP*
3-Wire Cord & Plug (277V)	-3CP-277*
6W halogen lamp	/LH4
8W halogen lamp	/LH5
10W halogen lamp	/LH7
Nickel-Cadmium battery	-N
Damp location listed	-DL

*Standard cord is 3 ft. custom lengths available.

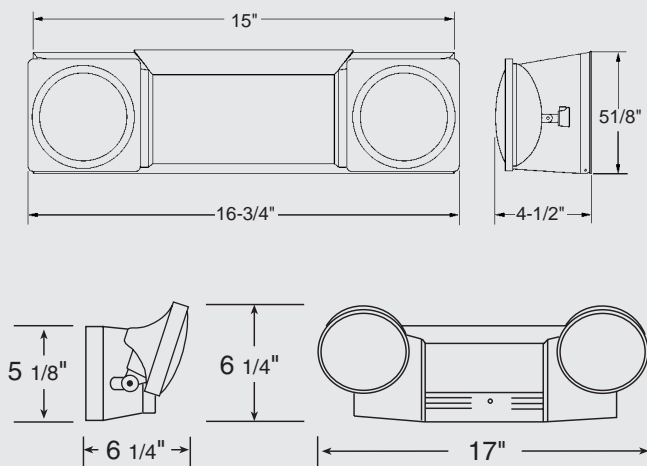
ACCESSORIES

(Order as a separate item)

Wire Guard (CA-2, CA-3)	WG16
Polycarbonate Shield	CPS
Poly. Weatherproof Shield	CPS-4X



DIMENSIONS



CAVALIER WITH HALOGEN LAMPS (CA-3)

Dimensions are approximate and subject to change.

UNIT RATING CHART

Volts	Model #	*Watts to 87-1/2% of Rated Battery Voltage	
		1-1/2 Hrs.	2 Hrs.
6	CA-2	12	8
	CA-3	20	15

* National Electrical Code Specification

ORDERING FORMAT

CA	-2	-DL
Series	Capacity Indicator	Option
Damp Location		