

FF-AM Series

Self-Powered Fluorescent Fixture
Sealed Maintenance-free Nickel-Cadmium Battery
Tamper Proof and Vandal Proof
UL Listed



The FF-AM Series is a tamper and vandal resistant fluorescent fixture that combines the functions of normal area lighting and emergency lighting in one fixture.

FEATURES

Reliability

The FF-AM Series has a three-year full warranty (excluding lamps and pilot lights).

Unit Data

The housing of the FF-Am Series is constructed of steel and secured with tamper-proof screws. A tamper-proof screw driver bit is furnished standard with each unit. This series is completely self-contained and maintenance-free. The diffuser consists of an injection molded .125" UV stabilized, unbreakable polycarbonate lens. The lens features a prismatic pattern on the bottom and linear refractive sides for brightness control and 180° uniform light distribution.

The FF-AM unit is available only as surface mount.

Lamp

Available with sockets for one (1), 20-watt, one (1), 34-watt, two(2), 20-watt or two(2) 34-watt T12 lamps, or one (1) or two(2) 32-watt T8 lamps supplied by others.

Charger

- Fully automatic solid-state charger.
- Low voltage disconnect prevents overdischarge of battery.

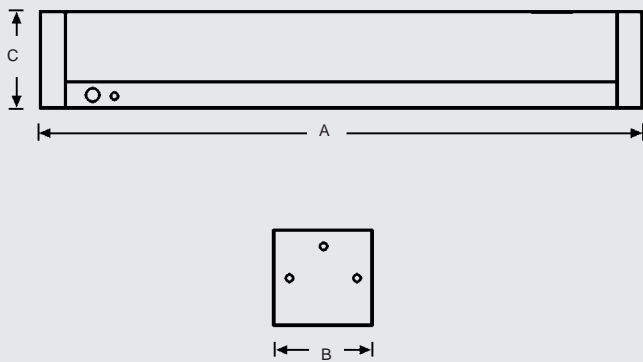
Controls

- Pilot light and test switch.

Power Requirements

Dual Voltage 120/277Vac, 60Hz, 3.5W

DIMENSIONS



UNIT RATING CHART

MODEL	A	B	C	Lamp Type
FF-AM-1-20-120	24-1/4"	4-1/2"	4-3/8"	F20T12
FF-AM-1-20-277				
FF-AM-2-20-120				
FF-AM-2-20-277				
FF-AM-1-34-120	48-1/4"	4-1/2"	4-3/8"	F34T12
FF-AM-1-34-277				
FF-AM-2-34-120				
FF-AM-2-34-277				
FF-AM-1-32-120	48-1/4"	4-1/2"	4-3/8"	F32T8
FF-AM-1-32-277				
FF-AM-2-32-120				
FF-AM-2-32-277				

ORDERING FORMAT

FF-AM	-2	-20	-120
Series	No. of Lamp Sockets	Capacity Indicator	Fixture Voltage

AM-L & AM-L-2 Series

Fluorescent T-Bar Power Pack Sealed Maintenance-Free Nickel-Cadmium Battery UL Listed

The AM-L & AM-L-2 Series Fluorescent T-Bar power packs are a cost-efficient solution for conversion of new or existing fluorescent fixtures into emergency lighting units. This series are ideally suited for commercial applications.

FEATURES

Reliability

The AM-L & AM-L-2 Series has a three-year full warranty.

Unit Data

This Series consists of an AM7 fluorescent pack secured to upper surface (interior) of a metal panel. AM-L units will light one lamp in any 2, 4, 6 or 8ft. fluorescent fixture. The AM-L-2 units will light two lamps in any four lamp 2, 4, 6, or 8 ft. fluorescent fixture. Panel is installed into dropped ceiling, adjoining fluorescent fixture. Location of fluorescent pack outside of fixture eliminates heat problems and the need to fit pack into fixture channel. Text switch and pilot light are located on the lower surface (exterior) of the panel for easy access. Units can be easily wired to the fluorescent fixture according to the wiring diagrams.

Pulse Type Charger

The inverter circuit shall be of solid state design of the ferroresonant type. It shall operate all standard 2, 4, 6 or 8 ft. lamps.

Charging is fully automatic by a solid state constant potential type charger. It is temperature compensated to assure optimum battery life.

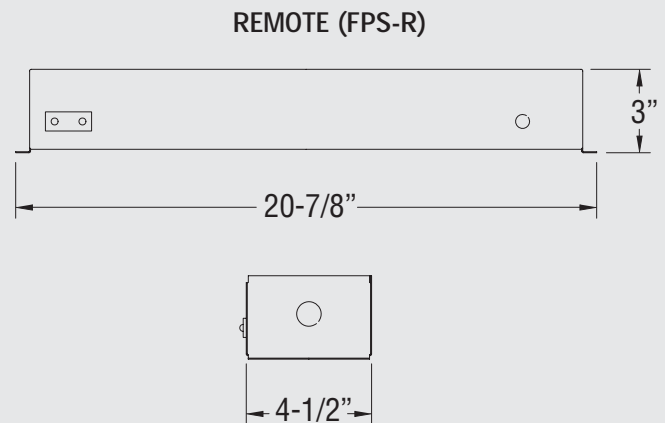
The transfer circuit connects the lamp to the battery when there is a failure of the normal power supply and returns it to the utility source when normal power returns. A solid state line-latched low voltage disconnect circuit disconnects the lamp from the battery when the battery voltage drops to about 80% of nominal to protect the battery from a deep discharge.

Power Requirements

Input requirement 120/277Vac, 60Hz – 10 watts for inverter-charger (wattage of lamp to be added to this).

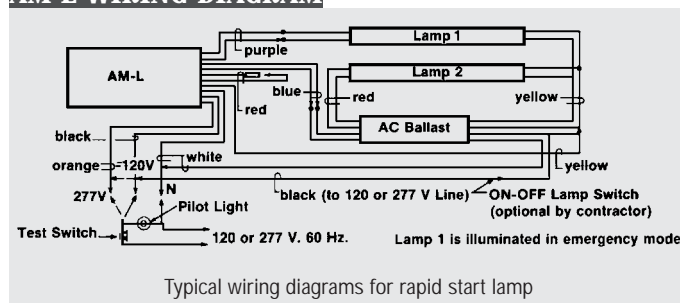


DIMENSIONS



Dimensions are approximate and subject to change

AM-L WIRING DIAGRAM

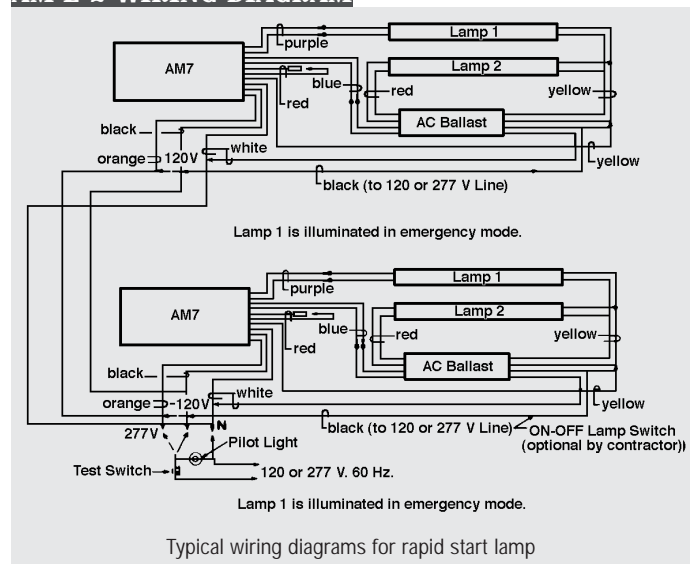


Typical wiring diagrams for rapid start lamp

ORDERING FORMAT

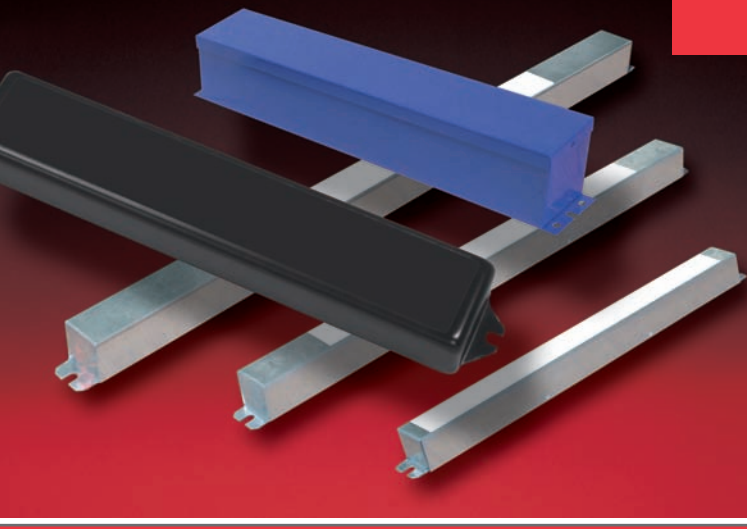
AM-L
Series

AM-L-2 WIRING DIAGRAM



Lamp 1 is illuminated in emergency mode.

Typical wiring diagrams for rapid start lamp



AM Series

Fluorescent Power Packs

Sealed Maintenance-Free Nickel-Cadmium Battery

UL Listed

The **AM Series** Fluorescent power packs are a cost-efficient solution for conversion of new or existing fluorescent fixtures into emergency lighting units. This series are ideally suited for commercial applications.

FEATURES

Reliability

The AM Series has a three to five-year full warranty (Please see chart below)

Unit Data

The AM Series components are housed in a compact ballast-size case. Installation is simple and cost-efficient. Unit mounts easily inside or on top of fixture using wire end caps (if necessary). Can be wired to operate with switched, un-switched or normally off fixtures without affecting normal operation. Use with Circline, U-shaped and energy-saving lamps. For VHO, SHO and Power Groove® lamps, use the AM7 or AM12 models. Compatible with standard, energy-saving, dimming and electronic AC ballasts.*Power Groove is a registered trademark of GE.

Charger

- Fully automatic solid state charger.
- Automatic transfer relay energizes lamp instantaneously upon failure of normal AC supply.
- Low voltage disconnect prevents overdischarge of battery.
- External test switch and pilot light.

Power Requirements

Dual Voltage 120/277Vac, 60Hz, 0.3/0.15 Amp

OPTIONS

(Add Suffix to Model No.)

Damp Location Listing.....**-D**
(Only available on AM80 Series)

ACCESSORIES

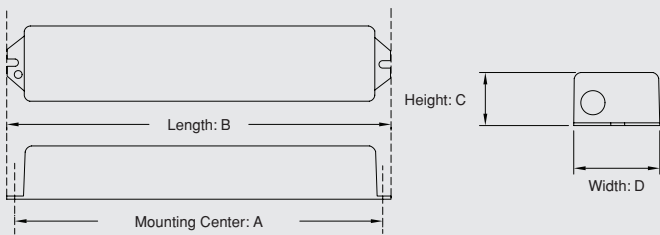
(Order as a separate item)

Remote test switch and pilot light (see page 73 for details).....**PSW**
Wire end caps for AM32**EC6**
Wire end caps for AM540**EC54**

ORDERING FORMAT

AM80	-D
Series	Option Suffix

DIMENSIONS



Model	Dimensions (inches)			
	a	b	c	d
AM7	9"	9-5/8"	1-1/2"	2-3/8"
AM11	8-7/8"	9-1/2"	1-1/2"	2-3/8"
AM12	12-1/2"	13-1/8"	1-1/2"	2-1/4"
AM18	11-1/2"	12"	1-1/2"	2-3/4"
AM20	9"	9-1/2"	1-1/2"	2-3/8"
AM23	12-3/4"	13-1/8"	1-1/2"	2-3/8"
AM32-L	9"	9-5/8"	1-1/2"	2-3/8"
AM80-D	12-3/4"	13-1/8"	1-1/2"	2-3/8"
AM540	21"	21-1/2"	1-3/16"	1-3/16"

Dimensions are approximate and subject to change

UNIT SELECTION CHART

Model No.	Lamp Operated in Emergency Mode	Emergency Illumination Time	Lumens	Wire End Caps	Warranty
AM7	1 lamp 2'-8' (20W-215W) or 2 lamps 2'-4' (20W-40W)	90 min.	700	Included	3 year full
AM11	1 compact fluorescent lamp (7, 9 or 13W)	90 min.	650	Not required	3 year full
AM12	1 lamp 2'-8' (20W-215W) or 2 lamps 2'-4' (20W-40W)	90 min.	1300	Included	5 year full
AM18	1 compact fluorescent lamp (18W & 26W)	90 min.	650	Not required	3 year full
AM20	1 compact fluorescent lamp or 2 compact fluorescent lamps (10W-42W)	90 min.	650	Not required	3 year full
AM23	2 lamps 2'-4'	90 min.	1400	Included	3 year full
AM32-L	1 lamp 2'-4' (20W-40W)	90 min.	550	Optional Order #EC6	3 year full
AM80-D	Most 2'-8' single, bi-pin T8 + T12, long compact, HO + HVO fluorescent lamps	90 min.	1300	Not required	5 year full
AM540	1 lamp 2'-4' (40W-50W) Most 2'-4' T5 or T8 and 40-55 watts 4 pin compact fluorescent	90 min.	1300	Optional order #EC54	3 year full

AM28 and AM54 Series

Emergency Power Packs
T5 or T8 Fluorescent Lamps
Sealed Maintenance-Free Nickel-Cadmium Battery
Damp Location Listed
UL Listed (for factory installation or retrofit applications)

The AM28 and AM54 are self-contained emergency ballasts designed for use with most T5 or T8 fluorescent lamps. They are ideal for use in linear lighting fixtures where ballast space is limited.

FEATURES

Reliability

The AM28 & AM54 Series has a five-year full warranty.

Unit Data

The housing of the AM28 & AM54 consists of a single, sealed housing compartment containing the battery, battery charger, transfer circuit and high frequency inverter. A pilot light and test switch shall be provided.

The AM28 can cold start and operate most 2"-4", 28-watt T5 and T8 fluorescent lamps.

The AM54 can cold start and operate most 2"-4", 28-watt T5 and T8 fluorescent lamps, including HO and 40-55-watt 4-pin, long compact fluorescent lamps. Emergency operation for a minimum of 90 minutes.

Charger

- Fully automatic solid state charger.
- Automatic transfer relay energizes lamp instantaneously upon failure of normal AC supply.
- Low voltage disconnect prevents overdischarge of battery.

Power Requirements

Dual Voltage 120/277Vac, 60Hz, 3.5 watts

OPTIONS

(Add Suffix to Model No.)

Damp Location Listing-DL

Suffix

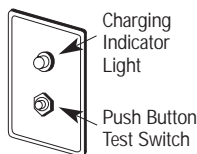
ACCESSORIES

(Order as a separate item)

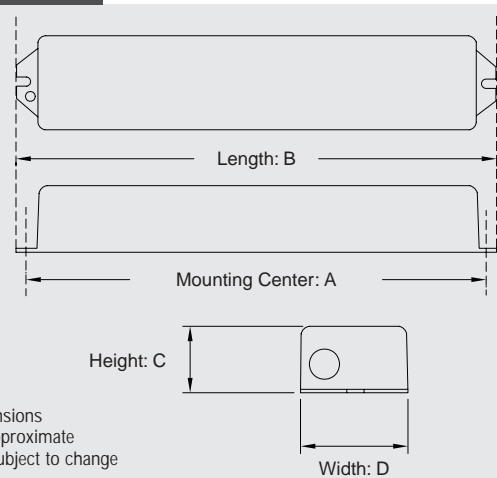
Remote test SwitchPSW

Recommended for inaccessible locations.

Test switch and charging indicator on a single gang chrome mounting plate.



DIMENSIONS



Dimensions are approximate and subject to change

Model	Dimensions (inches)			
	a	b	c	d
AM28	13-3/4"	14-1/4"	1-3/16"	1-3/16"
AM54	17"	17-1/2"	1-3/16"	1-3/16"

ORDERING FORMAT

AM28	-DL
Series	Option Suffix
	Damp Location Listing

UNIT RATING CHART

Model No.	Lamp Operated in Emergency Mode	Emergency Illumination Time	Lumens	Wire End Caps	Warranty
AM28	1 lamp 2'-4'	90 min.	500	Optional order #EC54	3 year full
AM54	1 lamp 2'-4'	90 min.	825	Optional Order #EC54	3 year full





AM30 Series

Emergency Power Packs T8 or T12 Fluorescent Lamps Sealed Maintenance-Free Nickel-Cadmium Battery UL Listed

The AM30 Series designed for use with most T5 or T8 fluorescent lamps. They are ideal for use in linear lighting fixtures where ballast space is limited.

FEATURES

Reliability

The AM30 Series has a five-year full warranty.

Unit Data

The housing of the AM30 consists of a single, sealed housing compartment containing the battery, battery charger, transfer circuit and high frequency inverter. A pilot light and test switch shall be provided. The AM30 comes standard with a 24" flex conduit on one end of the housing.

The AM30 can cold start and operate most 2"-8", single bi-pin T8 and T12 HO or VHO linear, 42-watt 4-pin lamp and long compact.

Emergency capabilities of the AM30 are one (1) 2'-8" or two (2) 2"-4' for a minimum of 90 minutes. Only one (1) long compact fluorescent lamp may be operated in the emergency mode.

The AM30 is designated for installation on top of the fixture or can be remote from the fixture.

Charger

à venir

Power Requirements

Dual Voltage 120/277Vac, 60Hz, 3.5 watts

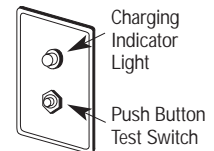
ACCESSORIES

(Order as a separate item)

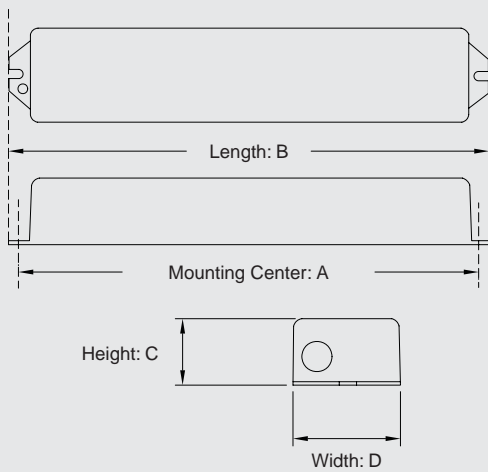
Remote test Switch.....PSW

Recommended for inaccessible locations.

Test switch and charging indicator on a single gang chrome mounting plate.



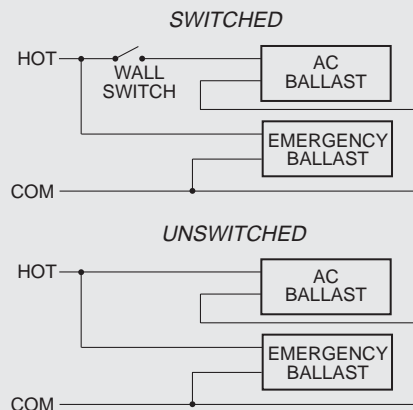
DIMENSIONS



Model	Dimensions (inches)			
	a	b	c	d
AM30	15 7/8"	16 3/8"	3"	3"

Dimensions are approximate and subject to change

DIAGRAM



Primary circuit only. Lamp leads not shown.

UNIT SELECTION CHART

LUMEN OUTPUT

- (1) Lamp - 3000 Lumens
- (2) Lamps - 1500 lumens Per lamp

LAMPS OPERATED

Most 2'-8" single, bi-pin, T8 & T12, HO or VHO linear, 42W 4-pin and long compact fluorescent lamps

EMERGENCY OPERATION

- 90 Minutes
- (1) 2'-8" or (2) 2'-4'

ORDERING FORMAT

AM30
Series