

Simplicity Series

Universal Mount 6" or 8" Die-Cast Aluminum Edge-Lit LED Exit Sign Evaluated to UL 924 standard

The **Simplicity** series combines a clean, modular design with state-of-the-art technology and ease of installation. Elegantly discreet, this designer series of exit signs will compliment the most prestigious interiors while providing mounting versatility and energy efficiency.

FEATURES

Reliability

The Simplicity Series has a five-year full warranty.

Unit Data

The Simplicity Series is constructed of die-cast aluminum, making it lightweight yet rugged. A modular design and a universal back box allow for easy installation for all mounting applications.

The aesthetically pleasing trim plate design in your choice of either flat, dome or pyramid shape accents any décor perfectly. The die-cast aluminum trim ring used for recessed applications ensures a proper seal and will eliminate light leaks. Bar hangers are included with all edge-lit signs. Our LED edge-lit acrylic face panels are the pinnacle of the industry. State-of-the-art technology allows us to extrude the acrylic panels resulting in maximum clarity and illumination proven superior to molded panels. Furthermore, our precision etched letters further enhance clarity and illumination. Available in 6 or 8-inch "Red or Green" letters. The LED strip design allows for rotation for either ceiling or wall mounting. The LED strip light source offers unequalled energy efficiency with long life legend illumination. The red LED's technology is ALINGAP. A Nickel-Cadmium battery illuminates the sign for a minimum of 90 minutes in emergency mode.

Circuitry

Fully integrated circuitry includes a 2-wire 120-277Vac AC voltage input regulator, as well as an automatic, constant-current battery charger with solid-state transfer and AC-LED monitor and test switch.

Power Requirements

120/277Vac 50/60Hz. Energy Consumption: AC-only signs use less than 2 watts, self-powered signs use 2.5 watts for single and double-face signs.

DIAGNOSTIC/SELF-TEST FEATURE (optional)

The self-test/diagnostic feature continuously monitors the charger assembly, battery and LED assembly current. If a fault is indicated, the external service required indicator will illuminate. The internal fault indicators will then indicate the nature of the fault. The self-test/diagnostic will self test for 30 seconds every 30 days, 30 minutes every 60 days and 90 minutes annually. Meets NFPA 101 Life Safety Code requirements for periodic testing (Self-Powered Master Exit only).



OPTIONS

(Add Suffix to Model No.)	Suffix
Flasher/Buzzer (self-powered only)	-FB
Fire Alarm Activated Flasher (self-powered only)	-FAF
Dual Circuit (AC models only)	-Y
Self-Test Diagnostics (self-powered only)	-D
Less Back Box	-X
Less Panel.....	-LP

For special wording, contact factory.

ACCESSORIES

(Order as a separate item)	
Pendant, White	-PW*
Pendant, Black.....	-PB*

* Custom pendant length for dome and pyramid trims available, consult factory (12", 24", 36", etc).

ARROW (CHEVRON) DESIGNATION



Chevron Right (CR)



Chevron Left (CL)



Single Face Double Chevron (1DC)



Double Face Single Chevron (CLCR)

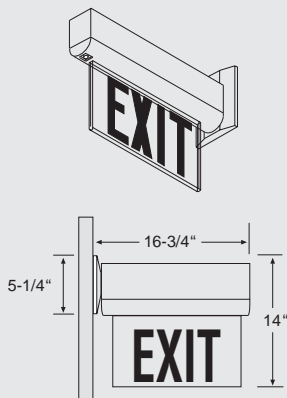
Represents each side of a double face panel.

*Wording and chevron's not to scale. Illustration purposes only.

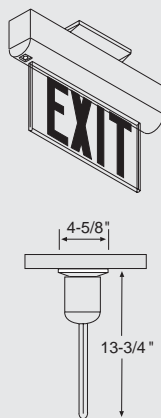
POWER CONSUMPTION CHART

Model	AC Specs		DC Specs	
	Voltage	Power	Voltage	Power
AC-Only	120 to 277Vac	2W	-	-
AC/DC	120 to 277Vac	2W	6 to 24Vdc	Less than 2W
Self-Powered	120 to 277Vac	2.5W	NiCad Battery	Min. 90 minutes

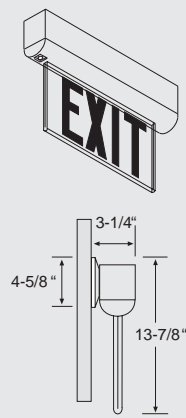
DIMENSIONS



SURFACE END MOUNT



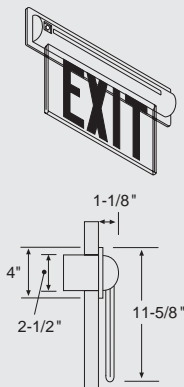
SURFACE CEILING MOUNT



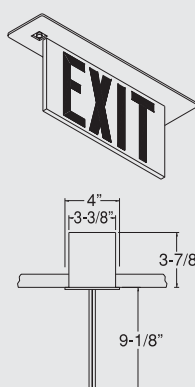
SURFACE WALL MOUNT



RECESSED CEILING MOUNT



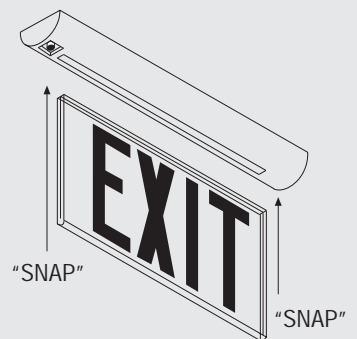
RECESSED WALL MOUNT



FLAT 'Z' TRIM RECESSED CEILING ONLY

Dimensions are approximate and subject to change

EASY INSTALLATION



- A quick connect plug is used to wire the LED strip to the charger and power supply.
- Torsion springs on the trim plate slide into the back box to provided a tight seal between both.
- The modular design results in easy "snap in" of face panel.

Part	Height	Dimension Width	Depth
Back Box	2-15/16"	15-7/8"	2-7/16"
6" Panel	7-3/8"	13"	1/2"
8" Panel	9-1/16"	13"	1/2"
Trim Ring	3/16" (thick)	17-3/8"	4"
Dome/Pyramid Trim Plate	1"	15-15/16"	2-1/2"

ORDERING FORMAT

	SPLED	W	RW	D	CR	-FB
Panel Size	Series	Unit Color*	Panel Type	Trim	Directional Chevron	Options*
Blank= 6-inch Letters 8= 8-inch Letters	SLED= AC Only SPLED= Self-Powered	W= White A= Brushed Aluminum B= Black * Custom finish available	*RC= Red/Clear RM= Red/Mirror RW= Red/White *GC= Green/Clear GM= Green/Mirror GW= Green/White * RC or GC- Not Available as Double Face	D= Dome P= Pyramid Z= Flat Trim (Recessed Ceiling only)	Blank= Single Face, No Chevron 2= Double Face, no Chevron CR= Chevron Right CL= Chevron Left CLCR= Double Face, Single Chevron 2DC= Double Face, Double Chevron 1DC= Single Face, Double Chevron	-FB= Flasher/Buzzer *Special Wording Contact factory



Genesis GXEM Floor Proximity Series

Genesis Master with Remote Floor Proximity LED Exit Surface or Recessed Mount Evaluated to UL 924 Standard

The Genesis GXEM Floor Proximity Series are premium die-cast exit signs that combine style with superior performance and durability. This series can be surface or recessed mounted at the floor level and are available as AC-only, AC-dual circuit and as a DC-remote fixture supplied by a "Master" Genesis Exit sign.

FEATURES

Reliability

The Genesis GXEM Floor Proximity Series has a five-year full warranty (less batteries and lamps).

Unit Data

The Genesis "Master" units are constructed of die-cast aluminum. The Floor proximity remote units' housing and stencil face, finished in white or black, are constructed of rugged steel. When the floor proximity remote unit is ordered with a brushed aluminum finish, the stencil face is aluminum. The Floor proximity remote sign is available in slim line surface mount or recessed. All connecting hardware is included. The tamper proof screws and clear, high impact polycarbonate shield make sign vandal resistant. The LED's are very reliable, provide even illumination and low maintenance costs. The Red LED's are of ALINGAP technology and draw less than one watt.

The remote floor proximity exit signs are wired to a single face Genesis LED "Master" exit, which is mounted above the door. The remote floor proximity unit can be mounted up to 10 feet away from the Master sign. **This "Master" sign will power and control both signs in AC and emergency mode (both signs are 120/277 volt for master/floor proximity operation).**

Circuitry

Fully integrated circuitry includes a 2-wire 120-277Vac AC voltage input regulator, as well as an automatic, constant-current battery charger with solid-state transfer and AC-LED monitor and test switch.

Power Requirements

120/277Vac

DIAGNOSTIC/SELF-TEST FEATURE (standard)

The self-test/diagnostic feature continuously monitors the charger assembly, battery and LED assembly current. If a fault is indicated, the external service required indicator will illuminate. The internal fault indicators will then indicate the nature of the fault. The self-test/diagnostic will self test for 30 seconds every 30 days, 30 minutes every 60 days and 90 minutes annually. Meets NFPA 101 Life Safety Code requirements for periodic testing (Self-Powered Master Exit only).

OPTIONS

(Add Suffix to Model No.)

Vandal Resistant.....-VR

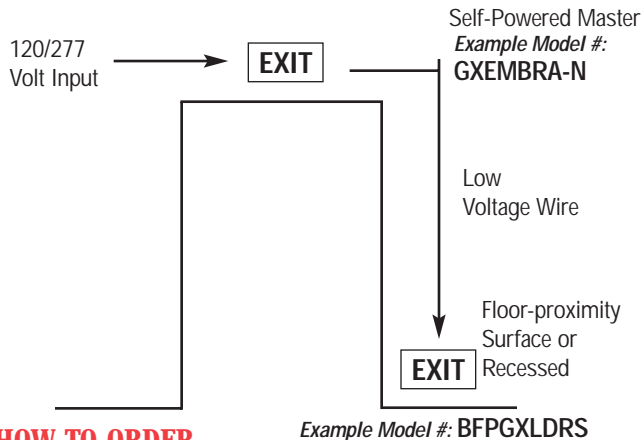
Custom colors and finishes are available upon request.

POWER CONSUMPTION CHART

	Models	AC Specs		DC Specs	
RED	AC-only	120/277Vac	1.2W	-	-
	AC-2 Circuit	120/277 and 277/277Vac	2.6W	-	-
	Self-Powered	120/277Vac	3.8W	NiCad battery	Min. 90 minutes
GREEN	AC-only	120/277Vac	0.9W	-	-
	AC-2 Circuit	120/277 and 277/277Vac	3.3W	-	-
	Self-Powered	120/277Vac	5W	NiCad battery	Min. 90 minutes

HOW TO ORDER TYPICAL APPLICATIONS

SELF-POWERED MASTER WITH FLOOR-PROXIMITY UNIT



HOW TO ORDER

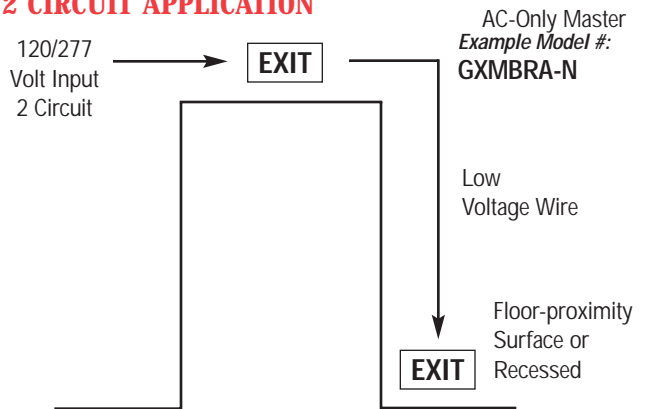
SELF-POWERED MASTER (Unit for above door)

GXEM	B	R	A	-N
Series	Housing Color	Letter Color	Door Color	Standard Series Designator
	B= Black W= White A= Brushed Aluminum	R= Red G= Green	B= Black W= White A= Brushed Aluminum	

FLOOR PROXIMITY UNIT (Unit on side of door)

B	FPGXLD	R	S	-VR
Housing Color	Series	Letter Color	Mounting	Options
B= Black W= White A= Brushed Aluminum		R= Red G= Green	R= Recessed S= Surface	

AC-ONLY MASTER WITH FLOOR-PROXIMITY UNIT 2 CIRCUIT APPLICATION



HOW TO ORDER

AC-ONLY MASTER (Unit for above door)

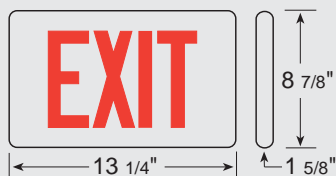
GXM	B	R	A	-N
Series	Housing Color	Letter Color	Door Color	Standard Series Designator
	B= Black W= White A= Brushed Aluminum	R= Red G= Green	B= Black W= White A= Brushed Aluminum	

FLOOR PROXIMITY UNIT (Unit on side of door)

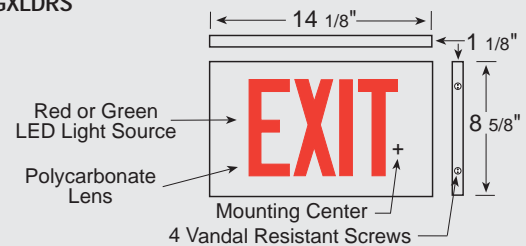
B	FPGXLD	R	S	-VR
Housing Color	Series	Letter Color	Mounting	Options
B= Black W= White A= Brushed Aluminum		R= Red G= Green	R= Recessed S= Surface	

DIMENSIONS

Self-Powered/AC-Only Master
GXEMBRA-N
GXMBRA-N



Floor Proximity Slave Surface Mount
FP-GXLDGS
FP-GXLDRS

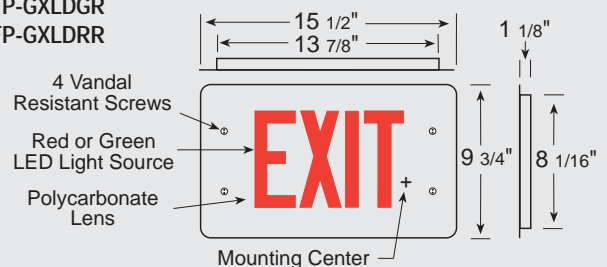


For Self-Powered Low Proximity Surface Mount, see Genesis "GX" Series on page 54, with VR option.

For Self-Powered Low Proximity Recessed Mount, see Galaxy "XL, XLED" Series on page 56, with VR option.

Dimensions are approximate and subject to change

Floor Proximity Slave Recessed Mount
FP-GXLDGR
FP-GXLDRR



Genesis GX, GXE Series

Die-Cast Aluminum LED Exit Sign AC, AC/DC or Self-Powered Models Evaluated to UL 924 Standard

The Genesis "GX, GXE" Series LED Exit sign combines visual appeal, durability and energy efficiency in a compact, contemporary design. Self-Diagnostics standard on self powered models.

FEATURES

Reliability

The Genesis GX, GXE Series has a five-year full warranty. (Less batteries and lamps)

Unit Data

The Genesis Series constructed of precision die-cast aluminum housing, features invisible, universal chevrons and mounting knockouts. A low profile mounting top canopy is included with all exit signs for universal top, end or back mount. High intensity LED's with diffuser disperse light and enhance brightness for a full, even illumination. LED's draw less than 2 watts of electricity for either single or double face signs. Long life, maintenance-free, sealed Nickel-Cadmium battery.

AC-only signs come wired as AC/DC signs, which operate off a remote DC power source when AC power fails. DC input is a 2-wire, 6-24Vdc universal input.

Self-Powered models are self contained, all circuitry and batteries are contained inside the exit housing.

Circuitry

Fully integrated circuitry includes a 2-wire 120-277Vac AC voltage input regulator, as well as an automatic, constant-current battery charger with solid-state transfer and AC-LED monitor and test switch.

DIAGNOSTIC/SELF-TEST FEATURE (standard)

Diagnostic / Self Test circuitry is standard on all self-powered models. This circuitry is programmed to ensure the exits readiness and reliability by continuously monitoring every critical function of the unit. If a problem occurs, a single service required indicator illuminates immediately. A detailed diagnostic display is located on the inside of the exit sign, out of sight from the general public. The detailed diagnostic display inside the exit sign will further indicate the nature of the fault. The self test will test the unit for 30 seconds every 30 days, 30 minutes every 60 days and 90 minutes annually.

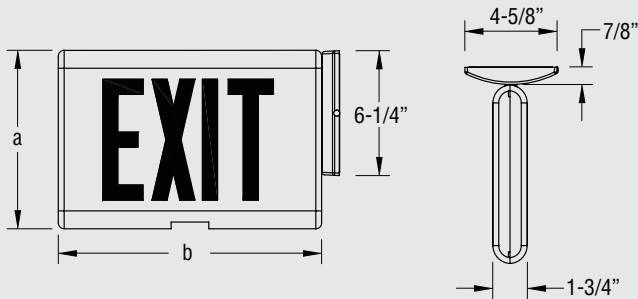
OPTIONS

(Add Prefix to Model No.)
8" EXIT legend for NYC code8
Prefix

(Add Suffix to Model No.)
Dual Circuit (AC only)-2
Open Face / Special Wording-Y
Vandal Resistant Screws-VR
Lexan Face Shield with Vandal Resistant Screws-LVR
Fire Alarm Flasher (Self-powered signs only)-FAF
Flasher/Buzzer (Self-powered signs only)-FB
Damp location listing (AC-only Exit Signs)-DL
Custom Color and Finishes available upon request.



DIMENSIONS



Dimensions are approximate and subject to change

POWER CONSUMPTION CHART

Model (6")	AC Specs		DC Specs	
AC-only	120 to 277Vac	1.25W	-	-
AC/DC	120 to 277Vac	1.25W	6 to 24Vdc	Less than 1.5W
Self-powered	120 to 277Vac	1.6W	NiCad battery	Min. 90 minutes
Model (8")	AC Specs		DC Specs	
AC-only	120 to 277Vac	2.5W	-	-
AC/DC	120 to 277Vac	2.5W	6 to 24Vdc	1.6W
Self-powered	120 to 277Vac	2.9W	NiCad battery	Min. 90 minutes

ACCESSORIES

(Order as a separate item)

Pendant Mount White	GPW- *
Pendant Mount Black	GPB- *
Wire Guard (Wall Mount) (6 in.)	WG13
Wire Guard (Ceiling Mount) (6 in.)	WG14
Wire Guard (End Mount) (6 in.)	WG15
Vandal Shield (Wall Mount)	VRC
Vandal Shield, NEMA-4X (Wall Mount)	VRC-4X

*Specify length of pendant (12", 24", 36", etc.)

ORDERING FORMAT

2	GXE	B	R	A	-VR	-N
Letter Size	Series	Housing Color	Letter Color	Face Color	Option	Standard Series
Blank=6" Letters	GX= AC-only	B=Black	R=Red	B=Black	See Options	Designator
2-6" Letters/Double Face	GXE= Self-Powered	W=White	G=Green	W=White		-N
8-8" Letters		A=Brushed Aluminum		A=Brushed Aluminum		
82-8" Letters/Double Face		DB=Dark Bronze				
		PB=Polished Brass				

Galaxy XL Series

**Die-Cast Remote Capacity Exit
Sealed Lead-Calcium or
New Nickel-Metal-Hydride Battery
UL Listed**

The Galaxy "XL" Series are self-powered LED exit signs with excess battery capacity designated to power remote emergency lights and exit signs.

FEATURES

Reliability

The Galaxy "XL" Series has a five-year full warranty. (Less batteries and lamps)

Unit Data

The Galaxy "XL" series has a housing constructed of die-cast Aluminum, each unit comes standard with a power canopy that houses the battery, input transformer and printed circuit board. The standard Galaxy exit comes with a black frame and a brushed aluminum face, optional colors are available. The Galaxy series may be ceiling, end or back mounted (single-face exit only) to the power canopy. The power canopy surface mounts directly to a junction box. Long-life, high-performance, low power consumption, red LED's of ALINGAP technology, provide an even illumination in normal and emergency modes.

Circuitry

Fully integrated circuitry includes a 2-wire 120-277Vac AC voltage input regulator, as well as an automatic, constant-current battery charger with solid-state transfer and AC-LED monitor and test switch.

Power Requirements

Input : 120/277Vac, 60 Hz, 0.06/0.03 Amp max.
Output: 6Vdc, 9W, 12W and 24W

DIAGNOSTIC/SELF-TEST FEATURE (optional)

The self-test/diagnostic feature continuously monitors the charger assembly, battery and LED assembly current. If a fault is indicated, the external service required indicator will illuminate. The internal fault indicators will then indicate the nature of the fault. The self-test/diagnostic will self test for 30 seconds every 30 days, 30 minutes every 60 days and 90 minutes annually. Meets NFPA 101 Life Safety Code requirements for periodic testing (Self-Powered Master Exit only).

OPTIONS

(Add Suffix to Model No.)	Suffix
Improved Diagnostics (Lead-Calcium Only)	-ID
Improved Diagnostics, non-audible	-IDNA
Time Delay	-TD
Flasher/Buzzer (Self-powered model only)	-FB
Fire Alarm Activated Flasher (Self-powered model only)	-FAF
Damp location Listed (AC-only Exit Signs)	-DL
Vandal Resistant Screws	-VR
Vandal Resistant Shield and Screws	-LVR

APPLICATION FLEXIBILITY

Lead Calcium Models (PCL) - Sealed, maintenance-free lead calcium batteries power the exit sign for an estimated period of 20+ hours minimum with no remote load or 90minutes run time with 9 watts remote load.

Nickel Metal Hydride Models (PCN) - Sealed, maintenance-free nickel metal hydride batteries power the exit sign for an estimated period of 20+ hours minimum with no remote load or 90-minutes run time with 12 watts remote load.

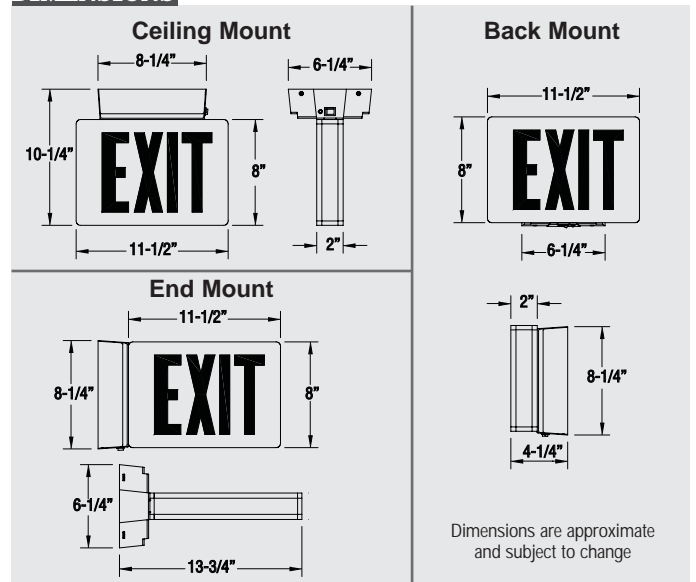
Nickel Metal Hydride Models (PCX) - Sealed, maintenance-free nickel metal hydride batteries power the exit sign for an estimated period of 40+ hours minimum with no remote load or 90-minutes run time with 24 watts remote head.

UNIT SELECTION CHART

Series		Battery Type			Housing Colors		Letter/Stencil Colors	
Description	Symbol	Description	Remote Power	Symbol	Description	Symbol	Description	Symbol
Single Face	XL	Sealed Lead Calcium	6V 9W	PCL	Black	B	Red/Black	RB
		Sealed Nickel Metal Hydride	6V 12W	PCN	White	W	Green/Black	GB
Double Face	2XL	Sealed Nickel Metal Hydride	6V 24W	PCX	Brushed Aluminum	A	Red/White	RW
							Green/White	GW
							Red/Brushed Aluminum	RA
							Green/Brushed Aluminum	GA



DIMENSIONS



POWER CONSUMPTION CHART

Model	AC Specs		DC Specs	
AC-only	120 to 277Vac	1.4W	-	-
AC/DC	120 to 277Vac	1.4W	6 to 24Vdc	Less than 1.5W
Self-powered	120 to 277Vac	3.7W	NiCad battery	Min. 90 minutes

ORDERING FORMAT

2XL	PCN	A	RA	-ID
Series	Battery Type	Housing Color	Legend/ Face Color	Option
Double Face LED Exit	Nickel Metal Hydride 6V, 12W Remote	Brushed Aluminum	Red/Brushed Aluminum	Improved Diagnostics

Galaxy XLD, XLED Series

LED Die-Cast Aluminum Exit

Universal Mount

AC, AC/DC or Self-Powered Exit Signs

UL Listed

The Galaxy XLD, XLED Series exit signs save energy while providing excellent visual performance. This series offers universal mounting capabilities as well as long lasting LED performance.

FEATURES

Reliability

The Galaxy "XLD, XLED" Series has a five-year full warranty (less batteries and lamps).

Unit Data

The Galaxy "XLD, XLED" series housing is constructed of die-cast Aluminum and features invisible, universal chevron and mounting knockouts. All self-powered models are self contained, all circuitry and batteries are contained inside the exit. All AC-Only signs come wired as AC/DC signs which operate off a remote DC power source when AC power fails. Long-life, high-performance, low power consumption, red LED's of ALINGAP technology, provide an even illumination in normal and emergency modes. A low profile mounting canopy is included with all exit signs for universal top, end or back mount.

Choice of Models

AC-Only Models: 120 through 277Vac, 50/60Hz universal input. Includes a slimline canopy for top and end mounting.

AC/DC Models: 120 through 277Vac, 50/60Hz universal input with a 6 to 24Vdc wire harness. Includes a slimline canopy for top and end mounting.

Self-Powered Models are Self Contained, batteries and circuitry are located inside the exit housing: 120 through 277Vac, 50/60Hz universal input. Sealed maintenance free Nickel-Cadmium battery provides 90 minutes of emergency illumination. Includes a slimline canopy for top and end mounting.

DIAGNOSTIC/SELF-TEST FEATURE (standard)

Diagnostic / Self Test circuitry is standard on all self-powered models. This circuitry is programmed to ensure the exits readiness and reliability by continuously monitoring every critical function of the unit. If a problem occurs, a single service required indicator illuminates immediately. A detailed diagnostic display is located on the inside of the exit sign, out of sight from the general public. The detailed diagnostic display inside the exit sign will further indicate the nature of the fault. The self test will test the unit for 30 seconds every 30 days, 30 minutes every 60 days and 90 minutes annually.

OPTIONS

(Add Prefix to Model No.)	Prefix
Fully Recessed	R
(Add Suffix to Model No.)	Suffix
Dual circuit (AC only)	-2
Vandal Resistant Screws.....	-VR
Lexan Face Shield with Vandal Resistant Screws.....	-LVR
Fire Alarm Activated Flasher (Self-powered signs only)	-FAF
Buzzer and Flasher (Self-powered signs only).....	-FB
Damp Location	-DL
Open Face / Special Wording	-Y
Custom Colors and Finishes are available upon request.	

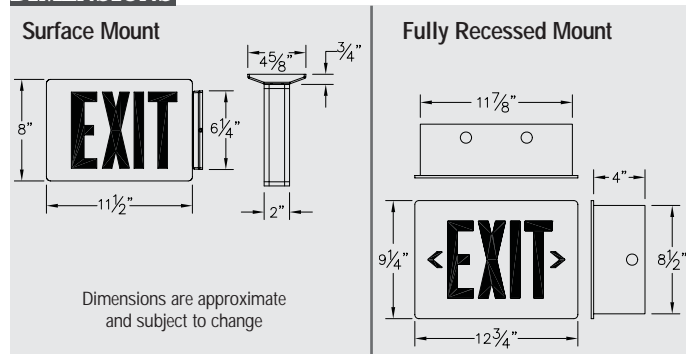
ACCESSORIES

(Order as a separate item)

Pendant, white.....	PW-*
Pendant, black.....	PB-*
* Specify length of pendant (12", 24", 36", etc.)	



DIMENSIONS



UNIT SELECTION CHART

AC ONLY						
Series		Housing Colors		Letter/Stencil Colors		Standard Series
Description	Symbol	Description	Symbol	Description	Symbol	Designator
Single Face	XLD	Black	B	Red/Black	RB	N
Double Face	2XLD	White	W	Green/Black	GB	
		Brushed Aluminum	A	Red/White	RW	
				Green/White	GW	
				Red/Brushed Aluminum	RA	
				Green/Brushed Aluminum	GA	
SELF-POWERED						
Single Face	XLED	Black	B	Red/Black	RB	N
Double Face	2XLED	White	W	Green/Black	GB	
		Brushed Aluminum	A	Red/White	RW	
				Green/White	GW	
				Red/Brushed Aluminum	RA	
				Green/Brushed Aluminum	GA	

POWER CONSUMPTION CHART

Model	AC Specs		DC Specs	
AC-only	120 to 277Vac	1.4W	-	-
AC/DC	120 to 277Vac	1.4W	6 to 24 VDC	Less than 1.5 W
Self-powered	120 to 277Vac	1.7W	NiCad battery	Min. 90 minutes

ORDERING FORMAT

2XLED	A	R	A	-VR	-N*
Series (Double Face Self-Powered Exit)	Housing Color (Brushed Aluminum)	Letter Color (Red)	Stencil Color (Brushed Aluminum)	Option (Vandal Resistant Screws)	Standard Series Designator (see note)
* The "-N" Designator features self-powered units with improved diagnostic and AC units with DC-remote input (6-24Vdc)					



X3 Series

Extruded Aluminum LED Exits and Combination Units Sealed Maintenance-free Lead Calcium or Nickel-Cadmium Battery

UL Listed

AC-Only exit signs are UL listed for use in Damp Locations

The X3 Series exit signs and power packs combine versatility, energy efficiency and performance in a moderately-priced package.

FEATURES

Reliability

The X3 Series has a three-year full warranty (less batteries and lamps).

Unit Data

The X3 Series housing is constructed of extruded aluminum and features universal chevrons and a bottom aperture that provides a down-light effect. Universal exit signs are supplied with canopy kit, extra stencil and diffuser set to permit any mounting either as single or double face. Long-life, energy-efficient, ALINGAP technology LED light source reduces maintenance and energy costs. LED Combination units have additional 13-19 watts remote capacity with (2) 6-watt mounted heads, depending on the model.

Light Source

The unit comes standard with two 6 volt, 6-watt high intensity wedge base incandescent lamps. Other lamp options are available, please refer to Lamp Chart.

Choice of Models

Exit Sign

- = AC input: universal 2-wire 120 to 277Vac 50/60Hz
- = AC/DC models: universal 2-wire 6 to 24Vdc
- = Self-powered models: long-life, sealed Nickel-Cadmium battery

Combination Units

- Remote capacity –Lead Calcium Battery (E)
- No heads = 30-Watts remote capacity
- Two 6-watt ELF2 mounted heads = 18 Watts remote capacity
- Remote capacity – Nickel-Cadmium Battery (EN)
- No heads = 24-Watts remote capacity
- Two 6-watt ELF2 mounted heads = 12 Watts remote capacity

Power Consumption

120/277 Vac, 60Hz, 0.3/0.15 Amp (Combo unit)

OPTIONS

(Add Suffix to Model No.)

- AC/DC Remote (6-24Vdc).....-DC
- Flasher/Buzzer (Self-powered signs only).....-FB

ACCESSORIES

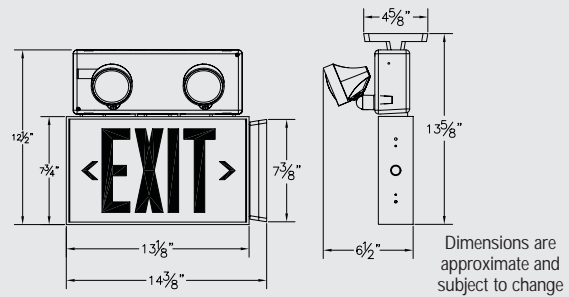
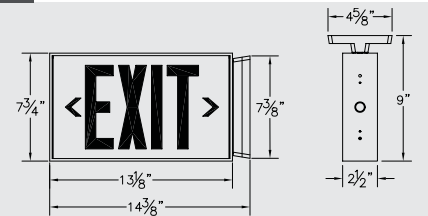
(Order as a separate item)

- 277 Volt Conversion Kit-Black.....CTXB-277
- 277 Volt Conversion Kit-White.....CTXW-277
- White Pendant.....PW-*
- Black Pendant.....PB-*

*Specify Pendant length (12", 24", 36", etc.)



DIMENSIONS



Dimensions are approximate and subject to change

UNIT RATING CHART

Total DC power available for local and remote emergency lights.

Battery Type	DC Voltage	Model Number	*Watts to 87-1/2% of Rated Battery Voltage			
			1-1/2 Hrs.	2 Hrs.	3 Hrs.	4 Hrs.
Lead-Calcium	6	UX3E	30	20	15	10
Nickel-Cadmium	6	UX3EN	24	18	12	9

*National Electrical Code Specification

POWER CONSUMPTION CHART

LED Exit Signs:

Model	AC Specs		DC Specs	
AC-only	120 to 277Vac	Less than 1.5W	-	-
AC/DC	120 to 277Vac	Less than 1.5W	6 to 24Vdc	Less than 1.5W
Self-powered	120 to 277Vac	Less than 3W	Nickel-Cadmium	Min. 90 Minutes

ORDERING FORMAT

U	X3	EN	B	R	A	LED	/2M	-FB
Style U=Universal 2 faces & canopy	Model X3 Series	Type Blank=AC Only E=Self-Powered Lead-Calcium EN=Self-Powered Nickel-Cadmium	Color W=White B=Black	Letter Color R=Red G=Green	Stencil W=White B=Black A=Aluminum	Light Source LED=LED	Combo Unit /0=0 heads power use for remote fixtures /1L=1 Large head /1M=1 Mini head /2L=2 Large heads /2M=2 Mini heads	Options -FB=Flasher/ Buzzer

X4 Incandescent Series



Steel Incandescent Exit Signs and Combination Units AC Only and Self-Powered

Sealed Maintenance-Free Lead Calcium and Nickel-Cadmium Batteries

UL Listed

AC Only signs are UL listed for use in Damp Locations

The X4 Incandescent Series exit signs and power pack combination units offer a complete package of features to make installation fast and easy.

FEATURES

Reliability

The X4 Series has a three-year full warranty (excluding lamps and fuses).

Unit Data

The X4 Series is constructed of a rugged steel housing with programmable directional chevrons. All exit signs are universal and come standard with canopy kit, extra stencil and diffuser to permit any mounting either as single or double face. Long-life, energy-efficient red LED ALINGAP technology light source. Completely self-contained power pack provides a minimum of 90 minutes of emergency lighting.

Circuitry

Fully integrated circuitry includes a 2-wire 120-277Vac AC voltage input regulator, as well as an automatic, constant-current battery charger with solid-state transfer and AC-LED monitor and test switch.

Choice of Models

Exit Sign

= AC input (AC-only and AC/DC models): 120Vac or 277Vac

= DC input (AC/DC models): 6, 12 or 24Vdc

= Self-powered: 120/277Vac; Lead-Calcium or Nickel-Cadmium battery

Combination Units

Remote capacity Lead Calcium models

No heads = 22 Watts remote capacity

Two 6-watt ELF2 heads = 10 Watts remote capacity

Remote capacity Nickel-Cadmium models

No heads = 16 Watts remote capacity

Two 5.4-watt ELF2 heads = no remote capacity

Power Requirements

Dual Voltage 120/277Vac, 60Hz, 0.3/0.15 Amp (Self-Powered models)

OPTIONS

(Add Suffix to Model No.)

AC/DC Remote (6-24Vdc).....	-DC	Suffix
Fire Alarm Flasher.....	-FAF	
Dual Circuit (AC units only).....	-2	
Flasher/Buzzer (Self-powered models only).....	-FB	
Open Face/Special Wording.....	-Y	

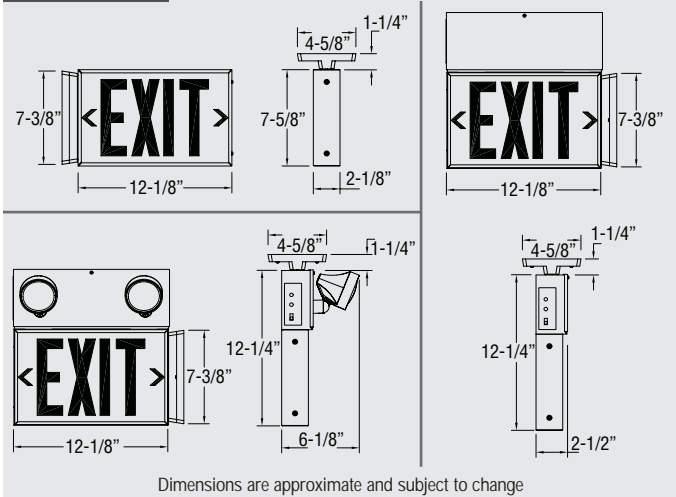
ACCESSORIES

(Order as a separate item)

277 Volt Conversion Kit-Black.....	CTXB-277
277 Volt Conversion Kit-White.....	CTXW-277
White Pendant.....	PW-*
Black Pendant.....	PB-*
Wire Guard (Ceiling or End Mount-Exit).....	WG5
Wire Guard (Wall Mount-Exit).....	WG12
Wire Guard (Combination Unit).....	WG6

*Specify Pendant length (12", 24", 36" etc.)

DIMENSIONS



POWER CONSUMPTION CHART (Incandescent Exit)

Model		AC Specs		DC Specs	
Exit Sign (incand.)	AC-only	120Vac or 277Vac	Less than 24 W	-	-
	Self-powered	120/277Vac	Less than 30 W	Lead-Calcium	Min. 90 Minutes
Mini-Systems		120/277Vac	Less than 30 W	See Unit Rating Chart	

UNIT RATING CHART (Combination Unit)

Battery Type	DC Voltage	Model Number	*Watts to 87-1/2% of Rated Battery Voltage			
			1-1/2 Hrs.	2 Hrs.	3 Hrs.	4 Hrs.
Lead-Calcium	6	X4E	22	22	9	6
Nickel-Cadmium	6	X4EN	16	16	6	-

*National Electrical Code Specification

ORDERING FORMAT

U	X4	E	B	R	B	/2M	-FAF	
Style U=Universal 2 faces & canopy	Model X4 Series	Type Blank=AC Only E=Self-Powered Lead Calcium with Power Pack EN=Self-Powered NICAD, with Power Pack N=Self-Powered (self-contained NiCad) (Exit Only)	Color W=White B=Black	Letter Color R=Red G=Green	Stencil W=White B=Black A=Aluminum	Voltage (AC Only) Blank=120 Volt -277=277 Volt	Combo Unit /0=0 heads power use for remote fixtures /1L=1 Large head /1M=1 Mini head /2L=2 Large heads /2M=2 Mini heads	Options -FAF= Fire Alarm Flasher



X4 LED Series

LED Exit Signs and Combination Units
AC Only and Self-Powered
Sealed Maintenance-Free Lead Calcium and Nickel-Cadmium Batteries
UL Listed
AC Only signs are UL listed for use in Damp Locations

The X4 LED Series exit signs and power pack combination units offer a complete package of features to make installation fast and easy.

FEATURES

Reliability
 The X4 LED Series has a three-year full warranty (excluding lamps and fuses).

Unit Data
 The X4 Series is constructed of a rugged steel housing with programmable directional chevrons. All exit signs are universal and come standard with canopy kit, extra stencil and diffuser to permit any mounting either as single or double face. Long-life, energy-efficient red LED ALINGAP technology light source. Completely self-contained power pack provides a minimum of 90 minutes of emergency lighting.

Circuitry
 Fully integrated circuitry includes a 2-wire 120-277Vac AC voltage input regulator, as well as an automatic, constant-current battery charger with solid-state transfer and AC-LED monitor and test switch.

Choice of Models
Exit Sign
 = AC input (AC-only and AC/DC models): 120Vac or 277Vac
 = DC input (AC/DC models): 6, 12 or 24Vdc
 = Self-powered: 120/277Vac; Lead-Calcium or Nickel-Cadmium battery
Combination Units

Remote capacity Lead Calcium models
 No heads = 30 Watts remote capacity
 Two 6-watt ELF2 heads = 18 Watts remote capacity
Remote capacity Nickel-Cadmium models
 No heads = 24 Watts remote capacity
 Two 6-watt ELF2 heads = 12 Watts remote capacity

Power Requirements
 Dual Voltage 120/277Vac, 60Hz, 0.3/0.15 Amp (Self-Powered models)

OPTIONS

(Add Suffix to Model No.) Suffix
 AC/DC Remote (6-24Vdc)-DC
 Fire Alarm Flasher (Self-powered signs only)-FAF
 Dual Circuit (AC units only)-2
 Flasher/Buzzer (Self-powered models only)-FB
 Open Face/Special Wording.....-Y

ACCESSORIES

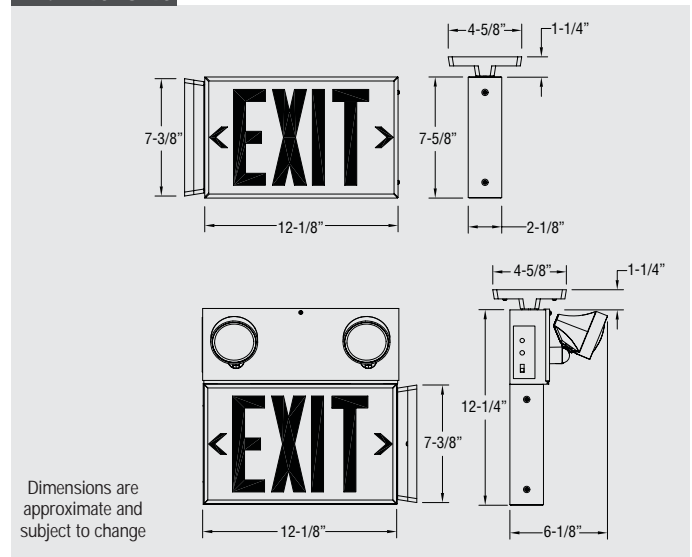
(Order as a separate item)
 White Pendant PW-
 Black Pendant PB-
 Wire Guard (Exit-Ceiling or End Mount) WG5
 Wire Guard (Exit-Wall Mount) WG12
 Wire Guard (Combination Unit) WG6
 *Specify Pendant length (12", 24", 36" etc.)

ORDERING FORMAT

U	X4	E	W	R	W	LED	/2M	-FB
Series	Model	Type	Color	Letter Color	Stencil	Light	Combo Unit	Options
U=Universal 2 faces & canopy	X4 Series	Blank=AC Only E=Self-Powered Lead Calcium with Power Pack EN=Self-Powered NICAD, with Power Pack N=Self-Powered (Self-contained) NICAD (Exit Only)	W=White B=Black	R=Red G=Green	W=White B=Black A=Aluminum	-LED= LED	/0=0 heads power use for remote fixtures /1L=1 Large head /1M=1 Mini head /2L=2 Large heads /2M=2 Mini heads	-FB=Flasher/Buzzer



DIMENSIONS



POWER CONSUMPTION CHART (LED Exit)

Model		AC Specs		DC Specs	
Exit Sign (incand.)	AC-only	120 to 277Vac	Less than 1.5 W	-	-
	Self-powered	120 to 277Vac	Less than 3 W	Lead-Calcium Nickel-Cadmium	Min. 90 Minutes
Mini-Systems		120/277Vac	Less than 5 W	See Unit Rating Chart	

UNIT RATING CHART (Combination Unit)

Battery Type	DC Voltage	Model Number	*Watts to 87-1/2% of Rated Battery Voltage			
			1-1/2 Hrs.	2 Hrs.	3 Hrs.	4 Hrs.
Lead-Calcium	6	X4E	30	20	14	10
Nickel-Cadmium	6	X4EN	24	18	12	9

*National Electrical Code Specification

X2 Squire Series

Thermoplastic LED Exit and Combination Unit Sealed Maintenance-Free Lead Calcium or Nickel-Cadmium Battery UL Listed

The X2 Squire Series is compact, easy to install and affordable. This series is ideally suited for commercial and institutional applications.

FEATURES

Reliability

The X2 Squire Series has three-year full warranty (excluding batteries and lamps).

Unit Data

The housing is constructed of a durable thermoplastic, available in mist-white or black. Units come standard with two stencil plates, red diffusing lens and backplate for universal wall, end or ceiling mount. Stencil and open face signs have programmable directional chevrons. The light source of the exit sign will be red LED technology (ALINGAP), which will provide a uniform illumination on the legend. Batteries provide 90 minutes of emergency operation.

Lamp

Standard emergency illumination is provided by two, 6-watt incandescent, Par 18 or Par 36 size lamps assemblies. These heads are molded of high impact thermo-polymer material. Heads are mounted directly to the front of the power pack or can be remotely mounted. MR16 and quartz bi-pin halogen lamps are also available (Mini Heads only).

Circuitry

Fully integrated circuitry includes a 2-wire 120-277Vac AC voltage input regulator, as well as an automatic, constant-current battery charger with solid-state transfer and AC-LED monitor and test switch.

Choice of Models

Combination Units

- Remote capacity Lead Calcium models
- No heads = 30 Watts remote capacity
- Two 6-watt ELF2 heads = 18 Watts remote capacity

Remote capacity Nickel-Cadmium models

- No heads = 24 Watts remote capacity
- Two 6-watt ELF2 heads = 12 Watts remote capacity

Power Requirements

120/277 Vac 60Hz, 0.3/0.15 Amp (Self-powered models)

OPTIONS

(Add Suffix to Model No.)	Suffix
Flasher/Buzzer	-FB
Vandal Resistant Screws	-VR
Fire Alarm Flasher	-FAF

ACCESSORIES

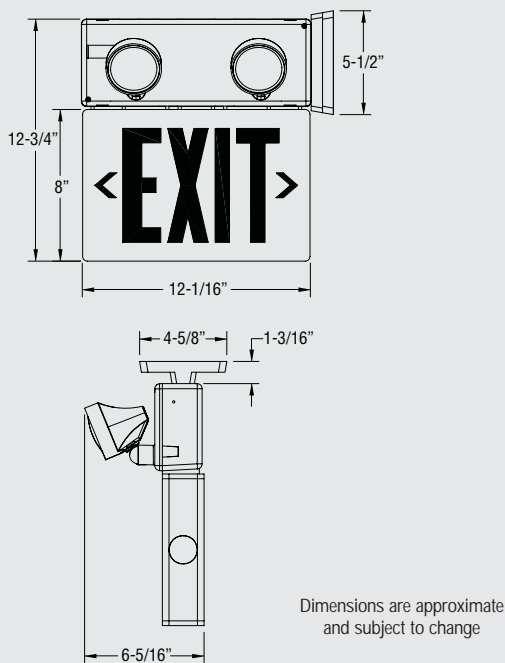
(Order as a separate item)

Black Pendant	PB-*
White Pendant	PW-*
Wire Guard (Wall mount)	WG6

*Specify pendant length (12", 24", 36" etc.)



DIMENSIONS



UNIT RATING CHART

Total DC power available for local and remote emergency lights.

Battery Type	DC Voltage	Model Number	*Watts to 87-1/2% of Rated Battery Voltage			
			1-1/2 Hrs.	2 Hrs.	3 Hrs.	4 Hrs.
Lead-Calcium	6	UX2E	30	20	15	10
Nickel-Cadmium	6	UX2EN	24	18	12	9

*National Electrical Code Specification

ORDERING FORMAT

U	X2	E	W	R	W	LED	/O	-FB
Series Blank= Single face no canopy U= Universal 2 faces & canopy	Model X2 Series	Type E= Self-Powered Lead Calcium EN=Self-Powered Nickel Cadmium	Color W=White B=Black	Letter Color R=Red G=Green	Stencil W=White B=Black A=Aluminum	Light LED=LED	Combo Unit /O=0 heads power use for remote fixtures /1L=1 Large head /1M=1 Mini head /2L=2 Large heads /2M=2 Mini heads	Options -FB= Flasher/Buzzer



Quickie "XQ" Series

- Universal Mount LED Exit Sign
- Thin, Sleek and Economical
- Sealed Maintenance-free Nickel-Cadmium Battery
- AC-Only, AC/DC or Self-Powered
- Evaluated to UL 924 Standard

The Quickie is a versatile exit sign, featuring an all-in-one design that uses the same compact housing for both AC, AC/DC and Self-Powered models.

FEATURES

Reliability

The Quickie "XQ" series has a five-year full warranty.

Unit Data

The exit sign housing is constructed of high impact, scratch and corrosion resistant engineering grade thermoplastic material; available in mist-white or black. The design incorporates a "snap in" canopy for top or end mount, (virtually tool free installation), universal faceplate with selectable chevrons and backplate.

The light source of the exit sign will be red LED technology (ALINGAP), which will provide a uniform illumination on the legend. Damp location listing is optional. Batteries provide 90 minutes of emergency operation.

Circuitry

Fully integrated circuitry includes a 2-wire 120-277Vac AC voltage input regulator, as well as an automatic, constant-current battery charger with solid-state transfer and AC-LED monitor and test switch.

Power Requirements

Universal voltage, 2-wire input 120/277Vac, 50/60Hz

DIAGNOSTIC/SELF-TEST FEATURE (optional)

The self-test/diagnostic feature continuously monitors the charger assembly, battery and LED assembly current. If a fault is indicated, the external service required indicator will illuminate. The internal fault indicators will then indicate the nature of the fault. The self-test/diagnostic will self test for 30 seconds every 30 days, 30 minutes every 60 days and 90 minutes annually. Meets NFPA 101 Life Safety Code requirements for periodic testing (Self-Powered Master Exit only).

OPTIONS

(Add Suffix to Model No.)	Suffix
AC/DC Remote (6-24Vdc)	-DC
Self/Diagnostic Test (Self-powered only)	-D
Dual Circuit (AC units only)	-2
Vandal Resistant Screws	-VR
Vandal Resistant Lexan Face Shield	-LVR
Flasher/Buzzer (Self-powered only)	-FB
Damp location listing	-DL
Open Face/Special Wording	-Y

ACCESSORIES

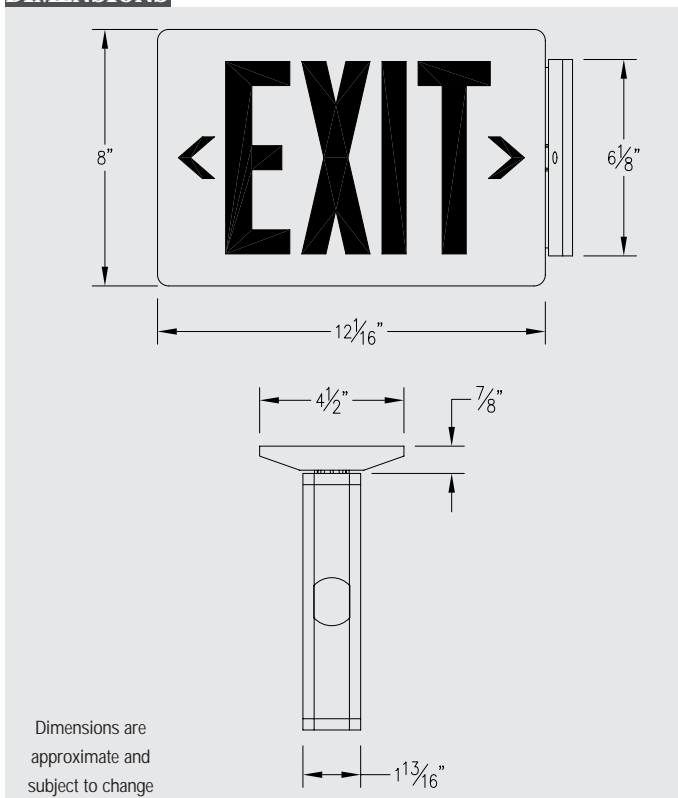
(Order as a separate item)

Black Pendant	P*-BK
White Pendant	P*-WT
Wire Guard (wall mount)	WG1
Wire Guard (ceiling or end mount)	WG5

*Specify pendant length (12", 24", 36" etc.)



DIMENSIONS



POWER CONSUMPTION CHART

Model	AC Specs		DC Specs	
AC-only	120 to 277Vac	1.6W	-	-
AC/DC	120 to 277Vac	1.6W	6 to 24 VDC	Less than 1.5 W
Self-powered	120 to 277Vac	2.2W	NiCad battery	Min. 90 minutes

ORDERING FORMAT

	U	XQELR	-D
Color			
Blank= White			
B= Black			
Series	U=Universal	Series	Options
	2 faces	XQLR= AC Only Red	Self/
	and canopy	XQELR=Self Powered Red	Diagnostic
		XQLG=AC Only Green	Test
		XQELG=Self Powered Green	

Quickie “QLX-MR” Series



Quickie II – Thermoplastic LED Exit Signs
AC-Only and Self-Powered Exits and Combination Units
Sealed Maintenance-free Lead Calcium or Nickel Cadmium Battery

Damp location listing is standard on all models
UL Listed

The Quickie “QLX-MR” series is a compact, all-in-one snap-together design. Easy to install and affordable, the QLX Series is ideally suited for any commercial application, especially those in which large numbers of exit signs are required.

FEATURES

Reliability

The Quickie “QLX-MR” series has a five-year full warranty.

Unit Data

The housing is constructed of thermoplastic material; available in mist-white. The design incorporates a “snap in” canopy for top or end mount, (virtually tool free installation), Universal mounting comes complete with two face plates, one backplate and canopy.

The light source of the exit sign will be red LED technology (ALINGAP), which will provide a uniform illumination on the legend. Batteries provide 90 minutes of emergency operation.

Emergency Models (exits)

- Replaceable, sealed Nickel-Cadmium battery
- Provides a minimum 90 minutes of continuous emergency illumination
- Energy star compliant
- Batteries recharge per UL924 specifications
- All exit sign models consume less than 5 watts
- Energy Star Compliant – consumes less than 2.5 watts

Emergency Models (combination units)

- 6 volt, sealed, maintenance-free Lead-Calcium battery
- Fully adjustable, glare-free, 6 volt MR16 lamps

Lamps

The “QLX-MR” combination unit comes complete with two directional heads, glare free MR16 lamps with front glass cover and will remain illuminated in emergency mode for a period of 90 minutes. This unit is not capable of powering remote heads.

Circuitry

Fully integrated circuitry includes a 2-wire 120-277Vac AC voltage input regulator, as well as an automatic, constant-current battery charger with solid-state transfer and AC-LED monitor and test switch.

Power Requirements

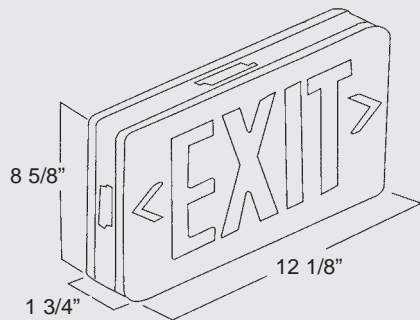
Universal voltage, 2-wire input 120/277Vac, 50/60Hz

ACCESSORIES

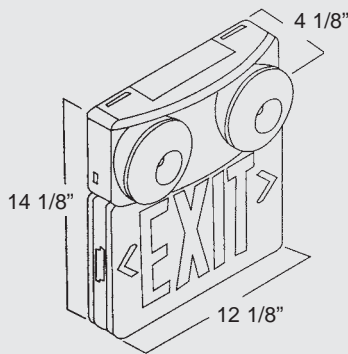
(Order as a separate item)

Replacement MR16 lamp, 6V	580.0072
Wire Guard (exit only)	
Wall mount.....	WG1
Ceiling or end mount	WG5
Wire Guard (combo)	
Wall mount.....	WG6

DIMENSIONS



AC only and self-powered exit



Dimensions are approximate and subject to change

ORDERING FORMAT

QLXN500	R	2MR
Series	Stencil Face	Light Heads**
QLX500=AC-Only	R=Red	2MR=2 MR16 lamps
QLXN500=Self-powered*	G=Green	6V Halogen

* Combo units only available as self-powered.

** Light heads only applicable to combo units.



Quickie II "QLXN500-SQ" Series

Quickie II – Thermoplastic LED Combination Units
Sealed Maintenance-free Lead Calcium battery
Damp location listing is standard on all models
UL Listed

The Quickie II "QLXN500-SQ" series is our combo unit with field adjustable heads to accommodate job site mounting requirements.

FEATURES

Reliability

The Quickie II "QLXN500-SQ" series has a three-year full warranty. (excluding lamps, batteries and fuses)

Unit Data

The housing, faceplates and canopy are constructed of a durable high-impact thermoplastic material (94,5VA Flame rating) available only in mist-white. The combo is suitable for wall or ceiling mount and comes standard with two faceplates, a backplate and a snap-fit canopy that requires no hardware to secure to the unit.

The two, 6 volt, 6-watt wedge base, glare-free emergency lighting heads can be positioned as top mount or side mount without disassembly or rewiring of the unit.

The light source of the exit sign will be red LED technology (ALINGAP), which will provide a uniform illumination on the legend. LED lamps are operated in normal (AC in put) and emergency (DC input) modes.

The combo is powered in the emergency mode by a sealed, maintenance-free Lead Calcium battery that is pre-wired to accommodate an additional battery should a remote load be required. Remote capacity – may power additional remote heads (up to 6 Volt, 12 Watt) with additional battery

Lamp

The combo comes standard with two fully adjustable, glare-free, 6 volt, 6 watt wedge base lamps.

Circuitry

Fully integrated circuitry includes a 2-wire 120-277Vac AC voltage input regulator, as well as an automatic, constant-current battery charger with solid-state transfer and AC-LED monitor and test switch.

Power Requirements

Universal voltage, 2-wire input 120/277Vac, 60Hz

OPTIONS

(Add Suffix to Model No.)

Suffix

*Remote Capacity (in watts)R

ACCESSORIES

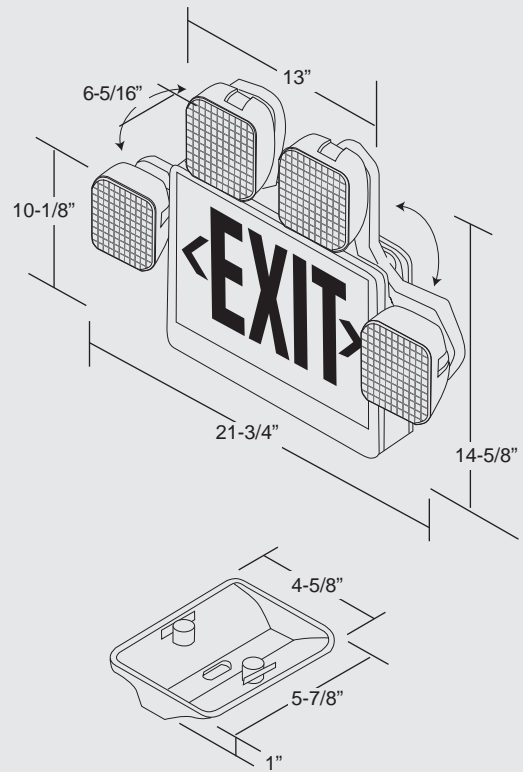
(Order as a separate item)

Wire Guard (heads in any position).....WG10

Replacement Battery860.0004

Replacement Lamp (standard).....570.0012

DIMENSIONS



Dimensions are approximate and subject to change

ORDERING FORMAT

UQLXN500	R	2SQ	R
Series	Stencil Face (letters)	Light Heads**	Capacity Indicator
Self-powered	R=Red G=Green	2SQ=Lamp standard 6V 6W	Blank=No remote capacity R=12W remote capacity*

Do not exceed rated unit capacity.





Severe "XV" Series Exit

**Nema-4X Self-Powered LED Exit Sign
Standard with Diagnostic/Self-Test Feature
Sealed Maintenance-Free Nickel-Cadmium Battery
Standard Damp Location Listing (10°C - 40°C)
(50°F-104°F)
UL Listed**

The Severe "XV" Series Exit is housed in an industrial-grade polyvinyl chloride enclosure. This exit was designed specifically for harsh environments that would strain standard exit signage such as schools, transit platforms, parking garages, wet and cold locations as well as any location prone to vandalism.

FEATURES

Reliability

The Severe "XV" Series exit has a five-year full warranty (excluding batteries).

Unit Data

The housing is fabricated of a polyvinyl chloride enclosure, which is fully gasketed around the lens and canopy to prevent water infiltration. The sealed faceplate is constructed of a heavy-duty, vandal-resistant polycarbonate and features an evenly illuminated legend. This faceplate is fastened with stainless steel tamper-resistant screws and the Severe "XV" series comes standard with a magnetically operated test switch. Diagnostic/Self-Test circuitry is standard on all self-powered models.

The light source of the exit sign will be red LED technology (ALINGAP), which will provide a uniform illumination on the legend. Models can be wall, end or ceiling mounted. Legend and chevron complies with UL and CSA requirements. Sealed, maintenance-free Nickel-Cadmium batteries offer superior performance, long life and 90 minutes of emergency operation.

Applications

- High Abuse Areas, • Vandal Prone Areas,
- Damp and Wet Locations, • NEMA 4X rated,
- Hose Down Areas,
- Cold Temperatures,
- Food Processing/Preparation

High Performance Circuitry

- Self Contained... Batteries & circuitry located inside the exit housing.
- Continuous self-diagnostic monitoring and monthly self testing.
- Fully automatic charger is solid state.
- Universal 2 wire AC input (100 through 347VAC)
- Sealed, maintenance-free nickel cadmium provide 90 minutes of emergency operation.
- Batteries recharge per UL924 requirements.

Power Requirements

Universal voltage, 2-wire input 120/277Vac, 50/60Hz

OPTIONS

(Add Suffix to Model No.)	Suffix
Dual Circuit Operation (120/120 or 277/277)	-2 *
Fire Alarm Activated Flasher	-FAF
Flasher/Buzzer (Self-Powered Only)	-FB
Flasher	-1
AC/DC Remote (6 to 24Vdc)	-DC
Cold weather unit (-20°C) (-4°F) (Self-Powered models only).....	-CW
Open face/special wording.....	-Y

* AC only units.

ACCESSORIES

(Order as a separate item)	
Convert single face to double face, red	DFKR- *
Convert single face to double face, green	DFKG- *
Canopy Pendant Mount.....	CM
Tamper-Proof Bit (extra) (690.0454)	TPB

*Specify White (WT) or Black (BK)housing

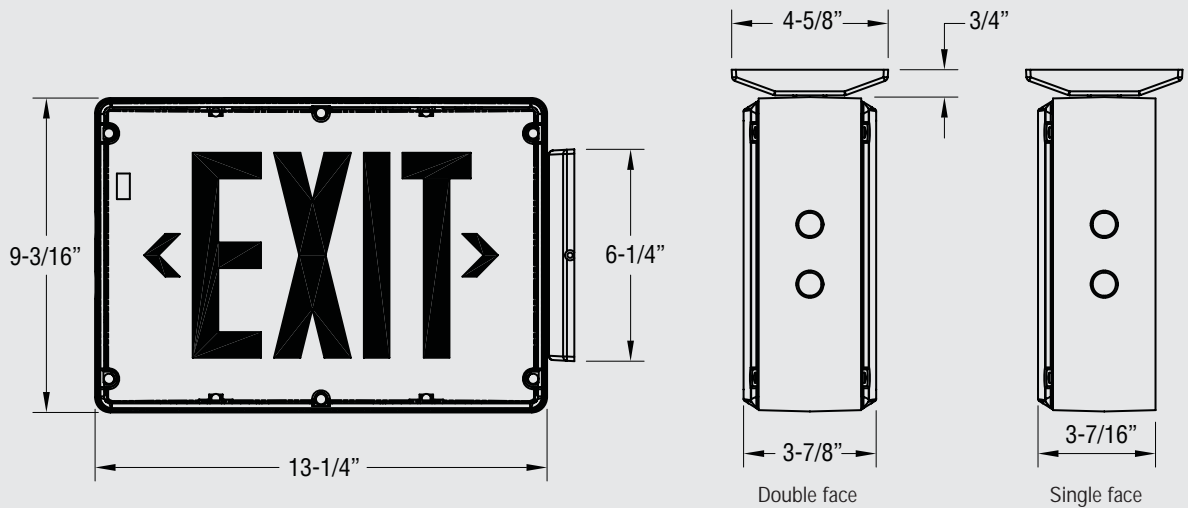
DIAGNOSTIC/SELF-TEST FEATURE (standard)

Diagnostic / Self Test circuitry is standard on all self-powered models. This circuitry is programmed to ensure the exits readiness and reliability by continuously monitoring every critical function of the unit. If a problem occurs, a single service required indicator illuminates immediately. A detailed diagnostic display is located on the inside of the exit sign, out of sight from the general public. The detailed diagnostic display inside the exit sign will further indicate the nature of the fault. The self test will test the unit for 30 seconds every 30 days, 30 minutes every 60 days and 90 minutes annually.

POWER CONSUMPTION CHART

Model	AC Specs		DC Specs	
AC-only	120 to 277Vac	1.2W	-	-
AC/DC	120 to 277Vac	1.2W	6 to 24 VDC	Less than 1.5 W
Self-powered	120 to 277Vac	3.7W	NiCad battery	Min. 90 minutes

DIMENSIONS



Dimensions are approximate and subject to change

ORDERING FORMAT

	XVE	-1	-R	-D	-4X	-2
Color Option, Housing/Face	Series	Faces	Legend colors	Diagnostics	Housing	Options
Blank = Black/Black	XV = AC-only	-1 = Single face	-R = Red	Blank = AC-only models	-4X	Dual Circuit Operation (AC-only units)
BW = Black/White	XVE = Self-powered	-2 = Double face	-G = Green	-D = Standard on all self-powered Models	Standard NEMA-4X housing	
BA = Black/Aluminum	Nickel-Cadmium Battery					
GB = Gray/Black						
GW = Gray/White						
GA = Gray/Aluminum						
WB = White/Black						
WW = White/White						
WA = White/Aluminum						

Severe™ NEMA-4X Rated Family

The Severe™ XV Series exit sign is a part of the Severe family of NEMA-4X Rated emergency lighting products. A complete emergency lighting solution for commercial and industrial environments where humidity, dust, water infiltration and the risk of vandalism are specification criteria, these products deliver state-of-the-art illumination in a visually appealing package.



Severe™ XV Combo Series
p.39



Severe™ V Series Battery Unit
p.40-41



Severe™ ELF650 Remote Series
p.49

XT Series

Self-Luminous Exit Sign

Non-Electric, No Wiring or Energy Required

UL Listed

The XT Series signs are suitable for use in hazardous, explosive, corrosive, humid or any other harsh environment. The XT Series is not dependant upon the use of electrical power, either internally or externally.

FEATURES

Reliability

The "XT" Series exit signs shall be spark free and suitable for use in humid, corrosive or explosive environments. Lightalarms will replace, free of charge, any product in which the luminosity is found to be defective during its specified luminous life, or which falls below specified luminous life.

Unit Data

The XT Series Self-Luminous exit sign frame, backplate and canopy shall be of ABS molding. Tamper proof assembly with no removable fasteners. Frame finishes include white or black. The signs can be mounted flush to wall or ceiling without a canopy. The faceplate is constructed of acrylic (optional Polycarbonate) .13 inches thick. The legend is constructed of non-glare polycarbonate, .015 inches thick, open letters, field programmable arrows and background colors include red or green. Contrast ration for both conditions shall exceed .5 and meet requirements of UL924 and NFPA.

Non-Electric - These exit signs do not require batteries, lamps or electricity for illumination. Electrical wiring, power, lamp replacement and maintenance are not required.

Illumination is provided by phosphor-coated borosilicate tubes filled with tritium gas. Tritium gas energizes the phosphor-coated tubes in the sign. The low energy beta emission of tritium striking the phosphor coating inside the pyrex® glass tubes causes illumination to be generated.

Harsh and/or Hazardous Environments

- Mines
- Refineries
- Paper Mills
- Food Processing Plants
- Spray Booth Areas
- Off Shore Rigs
- Chemical Plants
- Grain Elevators

Licenses and Codes

- **UL** - Underwriters Laboratories
- **OSHA** - Occupational Safety and Health Administration
- **BOCA, ICBO, SBCCI** - American Building Officials
- **MSHA** - Mine Safety and Health Administration
- **NRC** - Nuclear Regulatory Commission
- **Uniform, Basic and Standard Building Codes**

Meets full test specifications of ANSI (American National Standards Institute) for use in harsh or dangerous environments, Meets requirements of National Electrical Codes, Class I and II.

Power Requirements

120/277 Vac, 60Hz, 0.3/0.15 Amp

OPTIONS

(Add Suffix to Model No.)

Aluminum Frame	-AF
Fully Recessed Frame.....	-FR
Aluminum Frame and Polycarbonate shield.....	-AFPC

ACCESSORIES

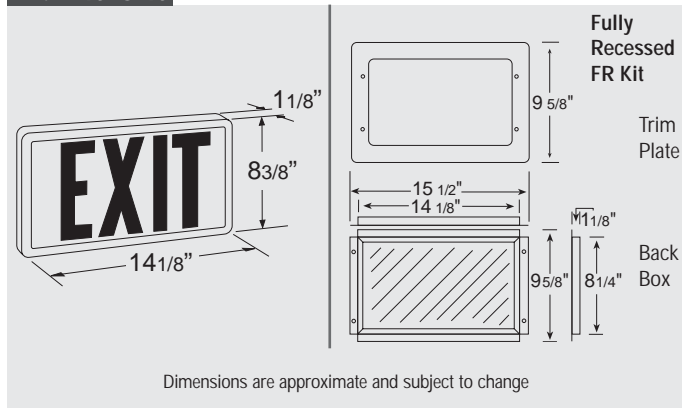
(Order as a separate item)

White Pendant.....	PW-*
Black Pendant.....	PB-*

*Specify length of pendant (12", 24", 36" etc.)

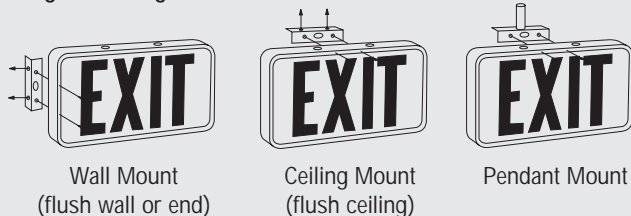


DIMENSIONS

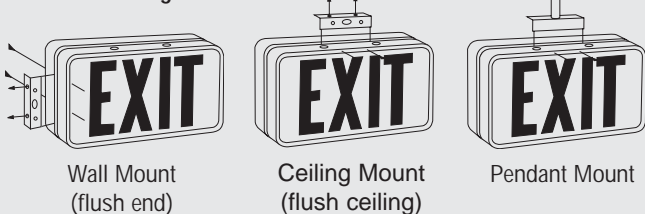


MOUNTING

Single Face Signs



Double Face Signs



ORDERING FORMAT

XT	10	B	R	-FR
Series	Sign	Housing	Legend	Options
XT=Single	Life	Color	Color	-FR=Fully Recessed Frame
Face	10=10 Years	W=White	R=Red	
2XT=Double	15=15 Years	B=Black	G=Green	
Face	20= 20 Years			

Special Wording

Illuminated Signage

Custom-worded, illuminated signage is available using the same sturdy construction and electrical design as Lightalarms exit signage. A wide range of sign body options and colour choices are available to suit any application.

FEATURES

- The same sturdy construction and electrical design used in our exit signs, is used to produce our custom-worded, illuminated signage
- Sign bodies - steel, extruded and die-cast aluminum, weatherproof, flame-retardant polycarbonate, high impact thermoplastic, recessed housing
- Also available with combination units
- Custom wording – any style of lettering, any language, any alphabet, any special characters
- Graphics – logos, standard symbols, custom art
- Colour choices – sign bodies, message, faceplate panel
- Illumination – LED (light-emitting diodes) - other light sources available
- Contact your local Lightalarms representative to discuss your specific requirements



FIRE DO NOT ENTER

IN USE



DANGER

**X-RAY
IN USE**

OCCUPIED

ELEVATOR

HELP

STAIRS

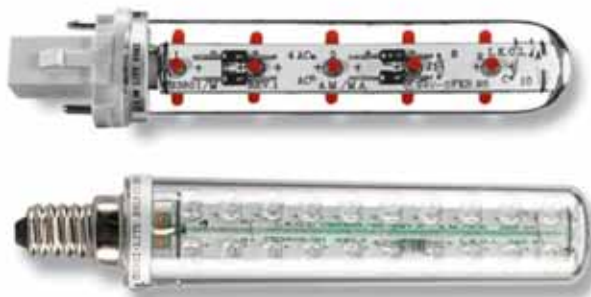
**DARKROOM
IN USE**

**NO
SMOKING**

**NOT AN
EXIT**

SALIDA

LADIES

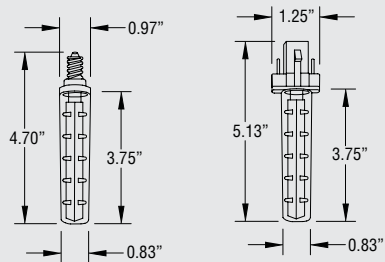


Triad

Triad LED Replacement Lamps LED Retrofit Kit

- Convert high consumption incandescent and fluorescent lamps to energy efficient LED lamps.
- Reduce energy consumption by up to 90%
- Improve visibility and reliability
- Reduce maintenance costs

DIMENSIONS



Dimensions are approximate and subject to change

FEATURES

- Quick and easy to install
- Available with wide range of lamp bases for quick lamp to lamp replacement
- Available in high brightness or ultra high-brightness LEDs
- 120Vac

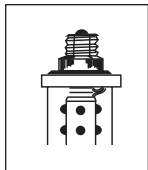
POWER CONSUMPTION

Model	AC Specs	
LRB	120Vac	0.90W
LRB-C	120Vac	1.6W

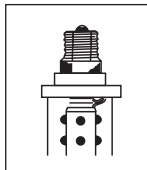
HOW TO ORDER (EXAMPLE)

LRB	-C
Model	Base
LRB=Standard Version	-C=Candelabra
	-I=Intermediate
	-M=Medium
	-B=Bayonet
	-F=Compact Fluorescent

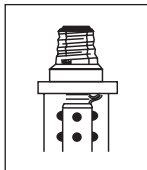
LRB-C
Candelabra
Base



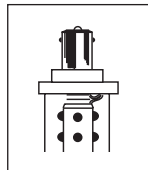
LRB-I
Intermediate
Screw Base



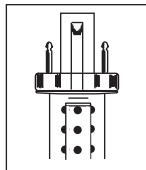
LRB-M
Medium
Screw Base



LRB-B
D.C. Bayonet
Base



LRB-F
PL 5, 7 or 9
Watt Base



LED Retrofit Kit

FEATURES

- Easiest to install in its class
- Compact size makes it ideal for virtually all exit signs
- Can be retrofitted directly on fluorescent ballast
- Long-Life, energy-efficient red ALINGAP LED technology
- Available with AC adaptor for all type of lamp sockets

POWER CONSUMPTION

Model	AC Specs	
LEC-RX	120Vac	1.7W

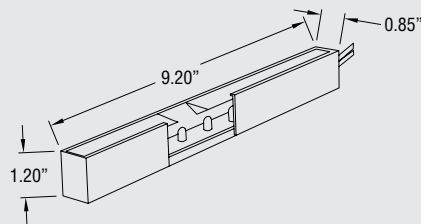
HOW TO ORDER (EXAMPLE)

LEC-RX	-C
Model	Base
LEC-RX=for Standard Application	-C=Candelabra
	-I=Intermediate
	-M=Medium
	-B=Bayonet
	-F=Compact Fluorescent

Note: Please consult factory for Green LED option.



DIMENSIONS



Dimensions are approximate and subject to change