

Phantom™ Series

12 or 24-Volt Recessed Cabinet Emergency Lighting System Maintenance-Free Lead-Calcium Battery Evaluated to UL 924 Standard

The Phantom™ Series emergency lighting system uses recessed cabinetry to conceal all internal components within wall or ceiling cavities, remaining almost invisible until needed. When AC fails and the lights go out, the Phantom™ unit emerges, illuminating the path to safety. Ideally suited for any environment where aesthetics are a prime consideration.

FEATURES

Reliability

The Phantom™ Series has a three-year full warranty on electronics (warranty does not include lamps and fuses).

Unit Data

The Phantom™ Series is virtually unseen until there is a brown out condition or a complete loss of power. The brown out sensitive transfer circuit automatically initiates emergency mode and instantly releases the two (2) MR16 lamps to illuminate the path to safety. When AC is restored, the internal motor returns the lamp/door assembly back to its enclosure.

The trim plate and lamp-head assembly (visible parts) are coated with a high quality, neutral white finish that will blend well with most interiors. The trim plate can be customized on site with paint or other suitable wall coverings of your choice. The back box is constructed of heavy-duty steel (no open holes) with a corrosion resistant finish.

PulseType Charger

- Automatic, temperature compensated, pulse type charger.
- High capacity, automatic, dust-tight instantaneous transfer relay.
- Low voltage disconnect prevents overdischarge of battery. Automatic brownout protection is provided.
- Labor saving AC line latch prevents battery discharge during installation to a non-energized circuit.
- Fused output circuit.

Power Requirements

120/277Vac, 60Hz, 0.3/0.15 Amp

IMPROVED DIAGNOSTICS (optional)

Diagnostic/self-test circuitry is optional on all self-powered models. This circuitry is programmed to ensure the equipment readiness and reliability by continuously monitoring every critical function of the unit. If a problem occurs, the illuminated push button located on the front of the unit will flash, indicating a fault. A detailed diagnostic display is located on the inside of the light head assembly and provides fault isolation for the maintenance personnel. The self-test feature will simulate a power failure for 30 seconds every 30 days with the exception being a full 90-minute test every twelve month.

OPTIONS

(Add Suffix to Model No.)

Improved Diagnostics-ID
Less Back BoxLBB*

*Unit must be installed with our back box to retain listings.



POWER CONSUMPTION CHART

AC Input	Maximum		Stand-By	
	Input Current	Input Power	Input Current	Input Power
120V	0.21 A	21 watts	0.060 A	4 watts
277V	0.09 A	21 watts	0.025 A	4 watts

UNIT RATING CHART

*Watts to 87-1/2% of Rated Battery Voltage

Model #	1-1/2 hrs.	2 hrs.	3 hrs.	4 hrs.
12PM36	36	24	-	-
12PM54	54	40	36	24
12PM70	70	48	40	28
12PM100	100	70	60	40

* National Electrical Code Specification

ACCESSORIES

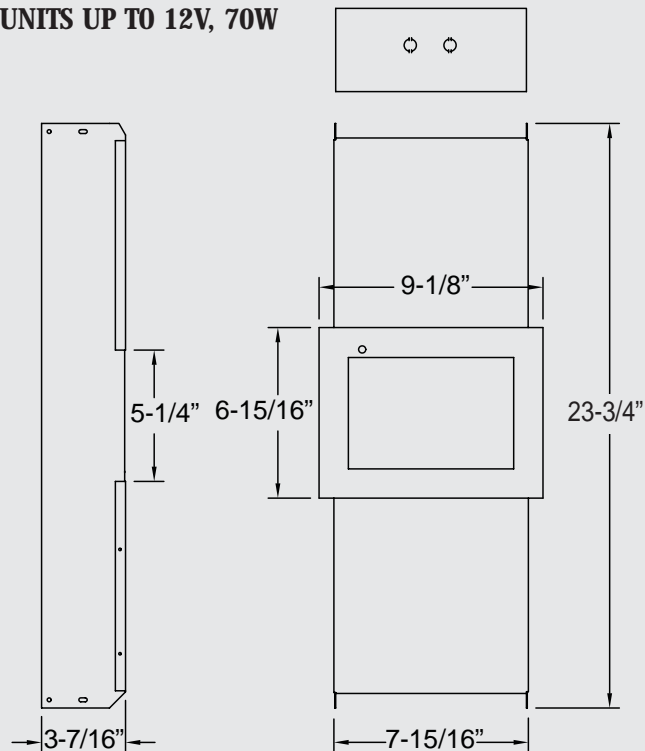
(Order as a separate item)

Remote Test SwitchPSW
Back Box Only (36-70W Unit)061243-L*
Back Box Only (100W Unit)061266-L*

* Order only when back box is needed in advanced.

DIMENSIONS

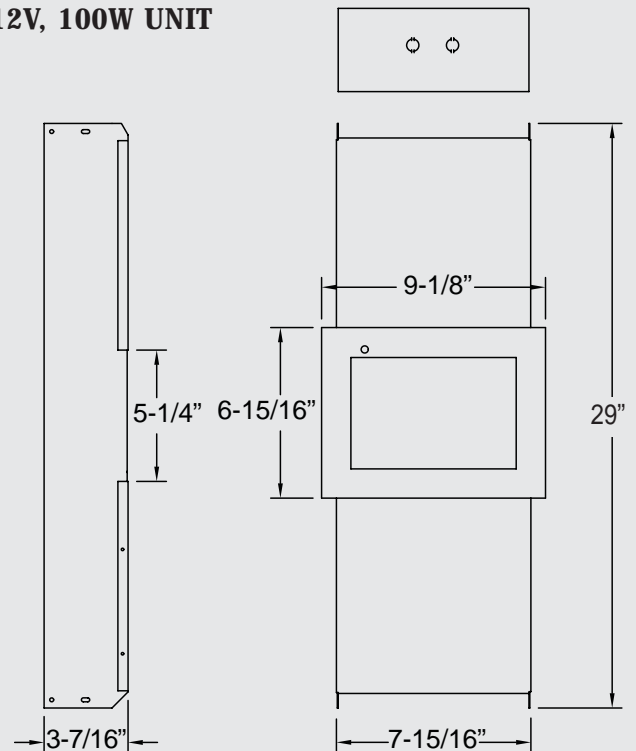
UNITS UP TO 12V, 70W



Charger & Battery Compartment:

For use in walls or ceilings with a cavity, not for use in block walls or solid ceilings.

12V, 100W UNIT



Charger & Battery Compartment:

For use in walls or ceilings with a cavity, not for use in block walls or solid ceilings.

Note: Not suitable for T-Bar ceiling

Dimensions are approximate and subject to change.

LAMP SELECTION (self-powered unit)

- 12 = 12 volt, 12 watts MR16 lamp
- 20 = 12 volt, 20 watts MR16 lamps
- 35 = 12 volt, 35 watts MR16 lamps
- 50 = 12 volt, 50 watts MR16 lamps

REMOTE, PHANTOM FIXTURES

(Requires an external AC/DC source)

12VDC with (2) 12 watts lamps	12PMR12-2
12VDC with (2) 20 watts lamps	12PMR20-2
24VDC with (2) 20 watts lamps	24PMR20-2
12VDC with (2) 35 watts lamps	12PMR35-2
24VDC with (2) 35 watts lamps	24PMR35-2
12VDC with (2) 50 watts lamps	12PMR50-2
24VDC with (2) 50 watts lamps	24PMR50-2
24VDC with (2) 12 watts lamps	24PMR12-2

ORDERING FORMAT

12	PM	36	-	2	(12)	-ID
DC Battery Backup Voltage	Series	Watts for 90 mins.		Number of Lamps	Wattage of Lamps	Option

TBR Series

6 or 12-Volt Decorative Style T-Bar Unit Maintenance-Free Lead-Calcium or Nickel-Cadmium Battery UL Listed

The TBR Series battery units are designed for T-Bar ceiling grid installation. This slim-line, unobtrusive unit is ideally suited for any commercial location where there is limited wall space and where the greater directional flexibility of ceiling-mounted heads is needed to provide greater distribution.

FEATURES

Reliability

The TBR Series has a three-year full warranty (excluding lamps and fuses).

Unit Data

The TBR Cabinet is constructed of rugged steel with corrosion-resistant undercoating. Fixtures, cabinet and mounting brackets are available in mist white and black. Battery and charger are concealed above the ceiling level in the unit cabinet. The back box has a removable panel allowing easy access to battery and circuitry. Units mount quickly and easily in standard T-Bar grids without additional hardware. The TBR unit has provisions for mounting up to three lamp heads.

Lamp

Comes standard with two PAR 36 high impact mar-resistant white thermoplastic heads, furnished with high intensity incandescent lamps.

Note: Tungsten halogen lamps optional.

PulseType Charger

- Automatic, temperature compensated, pulse type charger.
- High capacity, automatic, dust-tight instantaneous transfer relay.
- Low voltage disconnect prevents overdischarge of battery. Automatic brownout protection is provided.
- Labor saving AC line latch prevents battery discharge during installation to a non-energized circuit.
- Fused output circuit.

Controls

- Red charger monitor LED indicates the state of charge of the battery.
- Amber AC-ON LED indicates AC power is on.
- Momentary test switch allows for quick operational check of entire system.

Power Requirements

120/277Vac, 60Hz, 0.3/0.15 Amp

OPTIONS

(Add Suffix to Model No.)	Suffix
Black Housing and Heads.....	-B
Ammeter or Voltmeter (choose only one)	-A* or -V*
Improved Diagnostics (Lead-Calcium only)	-ID
Improved Diagnostics (non-audible)	-IDNA
Time Delay (12 min.).....	-TD**
Nickel-Cadmium Battery.....	-N
DR1130 Decorative Heads (white)	/DR130
PAR18 size heads	/ELF2

* Not available with Diagnostics.

** Not required with the ID/IDNA option

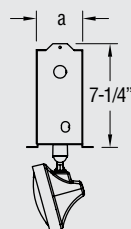
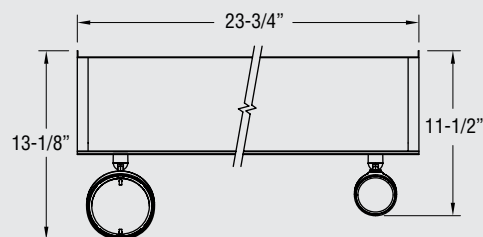
ACCESSORIES

(Order as a separate item)

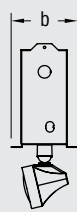
Remote Test SwitchPSW



DIMENSIONS



ELF645



ELF2

Cabinet	a	b
S	3-1/4"	4-5/8"
L	5-5/8"	7-1/8"

Dimensions are approximate and subject to change.

UNIT RATING CHART

Volts	Model # (Unit/Lamp Suffix)	*Watts to 87-1/2% of Rated Battery Voltage				Watts/ Head	Cabinet Size
		1-1/2 hrs	2 hrs	3 hrs	4 hrs		
6	2TBRC1/L9	27	20	14	10	9	S
	2TBRC2/L9	54	36	25	18	9	S
	2TBRC3/L9	81	48	33	24	9	L
12	2T12BRC2/L25	54	36	25	18	25	S

* National Electrical Code Specification

ORDERING FORMAT

2	TBR	C	1	/L9	-V
No. of Heads	Series	Battery Type	Capacity Indicator	Lamp Suffix 6V 9W Incandescent	Option (Voltmeter)

RD Series

6 or 12-Volt Decorative Style Recessed Unit Maintenance-Free Lead-Calcium or Nickel-Cadmium Battery UL Listed

The RD Series battery units are designed for fully recessed installation in walls or ceilings. Models are available with two ELF645 heads standard, or two ELF2, ELF648 or DR1130 heads optional, to accent any décor.

FEATURES

Reliability

The RD Series has a three-year fully warranty (excluding lamps).

Unit Data

The RD Series Cabinet is constructed of 20-gauge steel with an off-white baked enamel finish. Fixtures, cabinet and mounting brackets are available in mist white and black. Mounting brackets are included for installation in grid type suspended ceilings. Adjustable bar hangers are included, although this unit can be framed into studs or joints as well.

Lamp

Furnished with two 6 or 12 volt high intensity wedge base incandescent lamp heads.

PulseType Charger

- Automatic, temperature compensated, pulse type charger.
- High capacity, automatic, dust-tight instantaneous transfer relay.
- Low voltage disconnect prevents overdischarge of battery. Automatic brownout protection is provided.
- Labor saving AC line latch prevents battery discharge during installation to a non-energized circuit.
- Fused output circuit.

Controls

- Red charger monitor LED indicates state of charge of the battery.
- Amber AC-ON LED indicates AC power is on.
- Momentary test switch allows for quick operational check of entire system.

Power Requirements

120/277Vac, 60Hz, 0.3/0.15 Amp

OPTIONS

(Add Suffix to Model No.)	Suffix
Black	-B
Ammeter or Voltmeter (Choose only one).....	-A* or -V*
Improved Diagnostics (Lead-Calcium only)	-ID
Improved Diagnostics (non-audible)	-IDNA
Time Delay (12 min.).....	-TD**
ELF2 Lighting Heads	/ELF2
DR1130 Decorative heads (white)	/DR130
Non-Standard Input Voltage.....	Specify
*Not available with Diagnostics option	
**Not required with the ID/IDNA option.	

ACCESSORIES

(Order as a separate item)

Wire Guard (DR1130, ELF2 or ELF645 heads).....	WG6
Remote Test Switch	PSW

ORDERING FORMAT

For standard units without options only order Heads Series, Battery, Capacity and Lamps

2	RD	12	C	3	/*L9	-	TD
No. of Heads	Series	DC Battery Backup	Battery Type Ni-Cad	Capacity Indicator	Lamp Option 6V 9W Incandescent <i>*see lamp data sheet for other lamp wattages.</i>		Option Time Delay
Includes Standard Lamp							



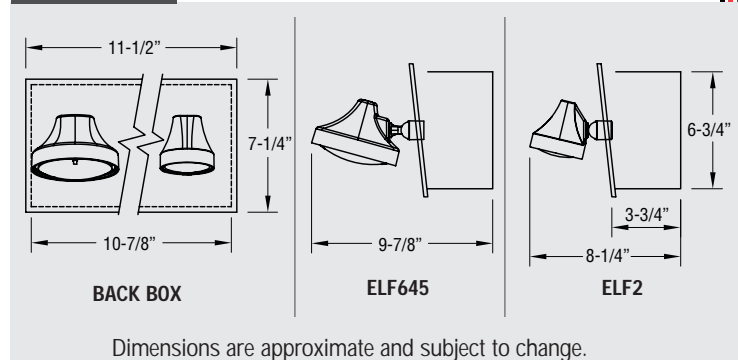
UNIT RATING CHART

Standard lamp is 6 or 12 volt 9 watt wedge base.

UNIT EQUIPMENT - NO REMOTE CAPABILITY								
Sealed Maintenance-Free Battery Types	D.C. Voltage	Model Number		*Watts to 87-1/2% of Rated Battery Voltage				
		ELF-645 Lamps Heads	ELF-2 Lamp Heads	1-1/2 hrs.	2 hrs.	3 hrs.	4 hrs.	
Nickel-Cadmium Δ	6	2RD6C1	2RD6C1/ELF2	18	12	10	-	
Long-Life Lead Δ	6	2RD6E1	2RD6E1/ELF2	18	11	8	-	
Lead-Calcium Δ	6	2RD6M1	2RD6M1/ELF2	18	12	9	-	
UNIT EQUIPMENT - WITH REMOTE CAPABILITY								
Nickel-Cadmium Δ	6	2RD6C2	2RD6C2/ELF2	25	18	12	9	
	Δ	12	2RD12C3	2RD12C3/ELF2	36	21	15	12
Long-Life Lead Δ	6	2RD6E2	2RD6E2/ELF2	27	19	14	10	
	Δ	6	2RD6E3	2RD6E3/ELF2	36	24	17	13
Δ	12	2RD12E3	2RD12E3/ELF2	36	24	17	13	
Lead-Calcium Δ	6	2RD6M2	2RD6M2/ELF2	27	18	14	10	
	Δ	6	2RD6M3	2RD6M3/ELF2	36	25	20	14
	Δ	12	2RD12M3	2RD12M3/ELF2	36	25	20	14

*National Electrical Code Specification Δ = Improved Diagnostics Available

DIMENSIONS





605P1 Series

**6 Volt Decorative Recessed Gimbal
Maintenance-Free, Lead-Calcium, Long Life
Lead or Nickel-Cadmium Battery
UL Listed**

The **605P1 Series**, a classic top-hat style unit with gimbal mounted lamp, fully recesses into ceiling with only the lens and trim visible. Ideal for low ceilings and blends inconspicuously with existing recessed lighting schemes.

FEATURES

Reliability

The 605P1 Series has a three-year full warranty (excluding lamps).

Unit Data

All components are contained in drawn steel box. The upper side of the recessed steel housing contains the battery and charger. The lower portion of the housing will contain an 8 watt halogen lamp with a horizontal rotation of 358° and vertical angle adjustable to ±42°. Standard finish of trim is mist-white plastic. NYC approved version will include a metal trim and gimbal assembly, also finished in mist-white. The LED pilot light and test switch are located on the side of the lamp ring.

The 605P1 Series comes standard with a slide out chassis and two quick-connect plugs to make installation and servicing easy. Adjustable hanger bars are supplied with each unit.

Lamp

Furnished with one 6 volt, 8 watt high intensity halogen lamp.

PulseType Charger

- Automatic, temperature compensated, pulse type charger.
- High capacity, automatic, dust-tight instantaneous transfer relay.
- Low voltage disconnect prevents overdischarge of battery. Automatic brownout protection is provided.
- Labor saving AC line latch prevents battery discharge during installation to a non-energized circuit.
- Fused output circuit.

Controls

- Combination AC-ON/charge monitor LED
- Momentary test switch allows for quick operational check of entire system.

Power Requirements

120/277Vac, 60Hz, 0.3/0.15 Amp

OPTIONS

(Add Suffix to Model No.)	Suffix
Black Housing and Gimbal	-B
NYC Approved Version	-M*
*Includes metal trim and gimbal assembly.	

ACCESSORIES

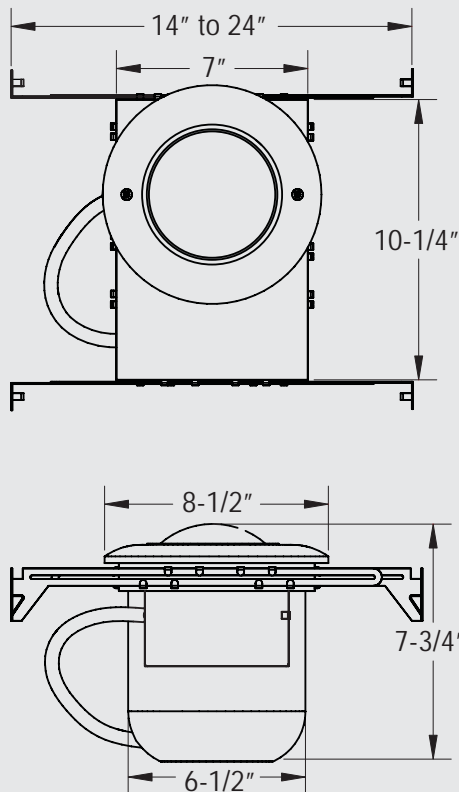
(Order as a separate item)

Remote Test Switch	PSW
--------------------------	-----

ORDERING FORMAT

605	P1	/LH5	-R	-M
Series	Battery Type Capacity (see chart)	Lamp Suffix	Recessed	Option (NYC Approved)

DIMENSIONS



Dimensions are approximate and subject to change.

UNIT RATING CHART

NO REMOTE CAPABILITY						
Volts	Model # (Unit/Lamp Suffix)	Battery Type	*Watts to 87-1/2% of Rated Battery Voltage			
			1-1/2 Hrs.	2 Hrs.	3 Hrs.	4 Hrs.
6	605P1/LH5-R	Lead-Calcium	9	—	—	—
6	605E1/LH5-R	Long-Life Lead	9	—	—	—
WITH REMOTE CAPABILITY						
6	605C1/LH5-R	Nickel-Calcium	18	12	9	—
6	605E2/LH5-R	Long-Life Lead	18	11	8	—

* National Electrical Code Specification

RSTH Decorative Series

6 Volt Self-Powered Recessed Down Light Maintenance-Free, Long Life Nickel-Cadmium Battery Evaluated to UL 924 Standard

The RSTH Decorative Series integrates contemporary design elements with the latest in high-tech emergency lighting capabilities. This self-powered down light brings architects, designers and engineers a sleek, refreshing new take on emergency lighting solutions. Designed with clean, classic lines and available in a range of colors and tones to compliment any commercial or high-end interior where taste is a factor.

FEATURES

Reliability

The RSTH Decorative Series has a three-year full warranty (excluding lamps and fuses).

Unit Data

This internally self-powered recessed down light is constructed of a durable powder coated, die cast aluminum and uses a MR16 lamp source powered by a sealed Nickel-Cadmium battery. The RSTH is furnished with a metal, fully recessed back box to house the electronics, battery and wiring. The duration of operation provided by the Nickel-Cadmium battery is 90 minutes minimum, as required by NFPA101 Life Safety Code. Standard finish is white, but also available in black, brushed nickel, chrome and polished brass. Adjustable hanger bars are supplied with each unit.

Lamp

Furnished with one 6 volt, 6 watts MR16 halogen lamp. The Light source is fully adjustable by rotating the gimbal through 359° in azimuth and or positioning the lamp through 90° in pitch.

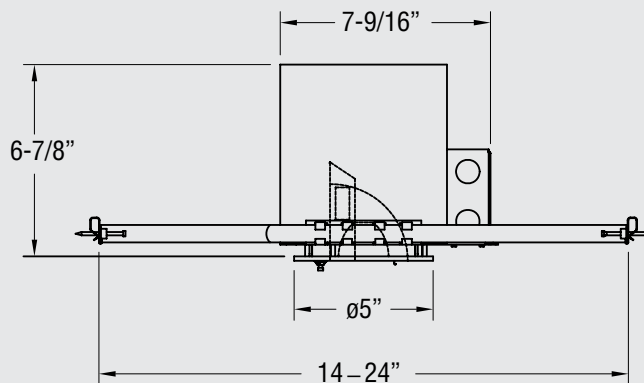
Charger

Dust tight relay automatically and instantly energizes lamp load upon failure of AC supply. Battery protection circuit automatically shuts down lamp load when battery reaches 87-1/2% of it's rated voltage. Charger is 100% solid state, includes auto-equalize, temperature compensation and is controlled by a 1% Zener reference.

Power Requirements

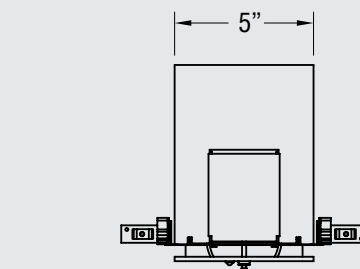
- 120V, 60 Hz, 0.046 A, 4.17W
- 277V, 60 Hz, 0.024 A, 4.76W

DIMENSIONS



RSTH Decorative Series including back box

Dimensions are approximate and subject to change.



ACCESSORIES

(Order as a separate item)

Remote Test Switch PSW

ORDERING FORMAT

RSTH24	WH	SP	-	U
Series	Color	Emergency Back-up		Model
	WH=White	SP=Self-Powered		-U=USA model
	BK=Black			
	BN=Brushed Nickel			
	CH=Chrome			
	PB=Polished Brass			

Replacement lamp number: 580.0074-L 6V 6W

Cavalier® II (CA-2) Series

6 Volt Decorative Style Equipment
Maintenance-Free Sealed Lead-Calcium or Nickel-Cadmium Battery (optional)
UL Listed

The Cavalier® II (CA-2) Series, is an aesthetically attractive, economical unit in a compact, contemporary design. It is ideal for commercial and institutional facilities.

FEATURES

Reliability

The Cavalier® II (CA-2) Series has a three-year full warranty (excluding lamps and fuses).

Unit Data

The housing is Injection molded from high impact, scratch and corrosion resistant thermoplastic and is available in an architecturally attractive mist white color. Optional Black housing is also available. The Cavalier® II Series easily mounts to wall or ceiling with independent, universal mounting plate. AC and battery quick connect plugs simplify wiring for quick and easy installation. This unit is also suitable for damp locations.

Lamp

Furnished standard with two fully adjustable PAR 36 size lamp heads with high intensity incandescent lamps or optional halogen lamps. CA-2 is available with optional 6 watts halogen lamp. CA-3 is available with optional 6, 8 or 10 watts halogen lamp.

PulseType Charger

- Automatic, temperature compensated, pulse type charger.
- High capacity, automatic, dust-tight instantaneous transfer relay.
- Low voltage disconnect prevents overdischarge of battery. Automatic brownout protection is provided.
- Labor saving AC line latch prevents battery discharge during installation to a non-energized circuit.
- Fused output circuit.

Controls

Combination test switch/charge monitor LED indicates battery is on charge and allows for periodic testing of the unit.

Power Requirements

Maximum 10 watts at 120/277Vac.

OPTIONS

(Add Suffix to Model No.)

	Suffix
Black	-B
Self Diagnostics	-SD
Voltmeter (not available with diagnostics)	-V
3-Wire Cord & Plug (120V)	-3CP*
3-Wire Cord & Plug (277V)	-3CP-277*
6W halogen lamp	/LH4
8W halogen lamp	/LH5
10W halogen lamp	/LH7
Nickel-Cadmium battery	-N
Damp location listed	-DL

*Standard cord is 3 ft. custom lengths available.

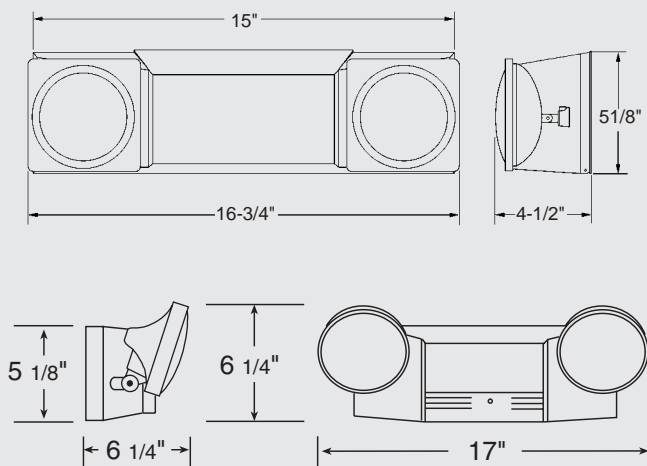
ACCESSORIES

(Order as a separate item)

Wire Guard (CA-2, CA-3)	WG16
Polycarbonate Shield	CPS
Poly. Weatherproof Shield	CPS-4X



DIMENSIONS



CAVALIER WITH HALOGEN LAMPS (CA-3)

Dimensions are approximate and subject to change.

UNIT RATING CHART

Volts	Model #	*Watts to 87-1/2% of Rated Battery Voltage	
		1-1/2 Hrs.	2 Hrs.
6	CA-2	12	8
	CA-3	20	15

* National Electrical Code Specification

ORDERING FORMAT

CA	-2	-DL
Series	Capacity Indicator	Option
		Damp Location



Sunspec™ Series

Dual-Purpose Decorative Ceiling Luminaire Sealed Maintenance-Free Long Life, Nickel-Cadmium Battery

Evaluated to UL 924 Standard

The Sunspec™ Series, with its sleek profile and circular shape, sets new standards for aesthetics and performance. The new generation of architectural emergency lighting fixtures that combines emergency mode operation with conventional, normally-on lighting.

FEATURES

Reliability

The Sunspec™ Series has a three-year full warranty (excluding lamps and fuses).

Unit Data

The unit opal diffuser is anti-corrosive, high-impact, injection-molded polycarbonate. The high temperature rated battery, the lamps and the electronic circuitry are installed on an inner metal chassis, which twists and locks into place for ease of installation and maintenance. The diffuser snaps into the thermoplastic back plate. Each unit is equipped with a dedicated connector for quick disconnect of the AC line. There are several trim assemblies and options available. The Sunspec™ Series can be surface-mounted or semi-recessed for ceiling and wall mount applications. The semi-recessed models are furnished standard with a bar hanger kit. The Sunspec™ Series is also available in AC-only for normal illumination, as well as with dual-mode illumination (emergency lighting and normal lighting).

Lamp

The standard unit will include two high-efficiency, 11 watts (950 lumens each) 2G7 base compact fluorescent lamps. Normally-on models will be powered by high efficiency, high frequency ballasts. Failure (absence) on one lamp will not affect the function of the second lamp. Emergency mode initial light output shall be at least 50% of rated lamp output lumen.

Charger

A new generation, solid state circuitry including battery charger and high frequency inverters to drive the compact fluorescent lamps. Failure (absence) of one lamp shall not affect the function of the second lamp. The battery unit will supply the rated load for a minimum of 90 minutes.

Power Requirements

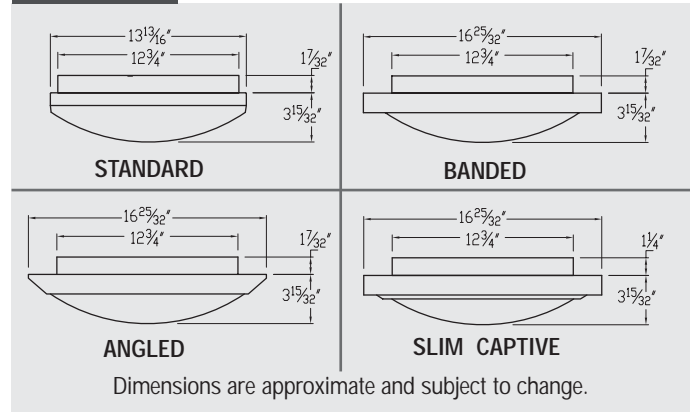
- 120Vac, 60Hz, 0.06 Amps, 7 watts
- 277Vac, 60Hz, 0.03 Amps, 7 watts



IMPROVED DIAGNOSTICS (optional)

The unit will come complete with a self-diagnostics micro-controller board. The unit shall self test for 1 minute every 30 days, 30 minutes on the 6th month and 90 minutes every 12 months.

DIMENSIONS



OPTIONS

(Add Suffix to Model No.)	Suffix
Improved Diagnostics Non-Audible.....	-IDNA
Damp Location (10°C to 40°C), (50°F to 104°F) normally-off only.....	-DL
Semi-Recessed Mount.....	-SR*
Semi-Recessed T-Bar Mount.....	-RT*

**Note: Semi-Recessed is NI (Non Insulation)*

ORDERING FORMAT

SUNS	M	SP	12	W	A	W	-IDNA
Series	Unit Type	Emergency Back-up	Voltage/Lamp Wattage	Body Color	Trim Type	Trim Color	Mounting Options
SUNS=	M=	SP=Self-Powered	12=120Vac,	W=White	Blank=No Trim	W=White	Blank=Surface Mount
Sunspec	Normally-On		2 x 11W, CFL	B=Black	A=Angled	B=Black	PD=Pendant Mount
Fixture	NM=		22=277Vac,		B=Banded	CH=Polished Chrome	SR=Semi-Recessed Mount*
	Normally-Off		28W 2D, CFL		SC=Slim Captive	PB=Polished Brass	RT=Semi-Recessed T-Bar Mount
			11=120Vac,				<i>*Note: Semi-Recessed is NI (Non Insulation)</i>
			28W 2D				
			21=277Vac,				
			28W 2D				

Gloweye™ Series

Dual-Purpose Decorative Wall or Ceiling Luminaire
Sealed Maintenance-Free long life, Nickel-Cadmium Battery
Evaluated to UL 924 Standard

The Gloweye™ Series, the new generation of architectural emergency lighting fixtures, combining emergency mode operation with conventional, normally-on lighting. Ideal for damp, wet and humid covered areas such as indoor swimming pools and garages. An attractive design combined with the strength of a weatherproof enclosure.

FEATURES

Reliability

The Gloweye™ Series has a three-year full warranty (excluding lamps and fuses).

Unit Data

The unit consists of a rectangular, injection-molded thermoplastic housing and is furnished standard with a clear prismatic polycarbonate diffuser. The diffuser is fixed onto the thermoplastic back plate with four screws. The non-obtrusive test switch, pilot light, lamps and battery are all concealed under the diffuser. Optional body and trim (eyelid) colors are available. This unit is Nema-3 rated for damp and/or wet location. Unit is offered with option of dual mode illumination, emergency lighting and normal illumination, as well as AC-only units.

Lamp

The standard unit will include two high-efficiency, 11 watts (950 lumens each) 2G7 base compact fluorescent lamps. Normally-on models will be powered by high efficiency, high frequency ballasts. Failure (absence) on one lamp will not affect the function of the second lamp. Emergency mode initial light output shall be at least 50% of rated lamp output lumen.

Charger

A new generation, solid state circuitry including battery charger and high frequency inverters to drive the compact fluorescent lamps. Failure (absence) of one lamp shall not affect the function of the second lamp. The battery unit will supply the rated load for a minimum of 90 minutes.

Power Requirements

- 120Vac, 60Hz, 0.06 Amps, 7 watts
- 277Vac, 60Hz, 0.03 Amps, 7 watts

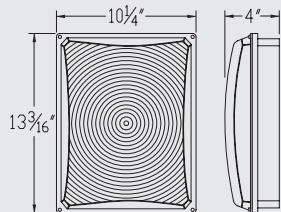
IMPROVED DIAGNOSTICS (optional)

The unit will come complete with a self-diagnostics micro-controller board. The unit shall self test for 1 minute every 30 days, 30 minutes on the 6th month and 90 minutes every 12 months.

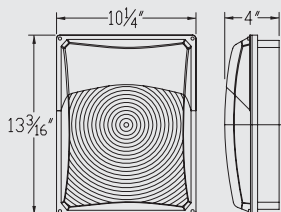


DIMENSIONS

WITHOUT EYE-LID



WITH EYE-LID



Dimensions are approximate and subject to change.

OPTIONS

(Add Suffix to Model No.)	Suffix
Improved Diagnostics Non-Audible	-IDNA
Opal Lens	-OP
Damp Location (10°C to 40°C), (50°F to 104°F) normally-off only	-DL
Vandal Resistant Screws.....	-VR

ORDERING FORMAT

GLOW	M	SP	12	W	W	-IDNA
Series	Unit Type	Emergency Back-up	Voltage/ Lamp Wattage	Body Color	Trim (Eye-Lid)	Options
GLOW= Gloweye Fixture	Blank= AC Only M=Normally-On NM=Normally-Off	SP=Self-Powered	11=120Vac, 28W, 2D 21=277Vac, 28W 2D 12=120Vac, 2 x 11W, CFL 22=277Vac, 2 x 11W, CFL	W=White B=Black G=Gray	Blank=No Eye-Lid *W=White Eye-Lid Cover *B=Black Eye-Lid Cover *G=Gray Eye-Lid Cover *Eye-Lid is suggested for wall mount applications	-IDNA= Improved Diagnostics Non-Audible

Note: Non-maintained= Normally-off
Maintained= Normally-on

Permanence™ Series

Dual-Purpose Decorative Wall or Ceiling Luminaire
Sealed Maintenance-Free long life, Nickel-Cadmium Battery
Evaluated to UL 924 Standard

The Permanence™ Series was designed for institutional and commercial environments where overall style of décor is essential, but directional lighting is not critical. The unit is available as surface mount, semi-recessed or fully recessed mount.

FEATURES

Reliability

The Permanence™ Series has a three-year full warranty (excluding lamps and fuses).

Unit Data

The battery, lamps and the electronic circuitry are installed on an inner metal chassis, constructed of rugged 20-gauge steel. The front and side translucent diffusers are made of injection molded, durable polycarbonate, which completely encompass the lamps, AC pilot light and test switch. Each unit is equipped with a dedicated connector for quick disconnect of the AC line. Choice of white, black or gray finishes. The Permanence™ Series can be surface mounted or recessed for ceiling and wall-mount applications. The recessed models are furnished standard with steel trim plate. Permanence is offered with options of dual mode illumination, emergency lighting and normal illumination, as well as AC-only units.

Lamp Heads

The standard unit will include two high-efficiency, 11 watts (950 lumens each) compact fluorescent lamps or optional one PL 27 watt CFL. Normally on models will be powered by high efficiency, high frequency ballasts. Failure (absence) on one lamp will not affect the function of the second lamp. Emergency mode initial light output shall be at least 50% of rated lamp output lumen.

Charger

A new generation, solid state circuitry including battery charger and high frequency inverters to drive the compact fluorescent lamps. Failure (absence) of one lamp shall not affect the function of the second lamp. The battery unit will supply the rated load for a minimum of 90 minutes.

Power Requirements

- 120Vac, 60Hz, 0.06 Amps, 7 watts
- 277Vac, 60Hz, 0.03 Amps, 7 watts

IMPROVED DIAGNOSTICS (optional)

The unit will come complete with a self-diagnostics micro-controller board. The unit shall self test for 1 minute every 30 days, 30 minutes on the 6th month and 90 minutes every 12 months.

OPTIONS

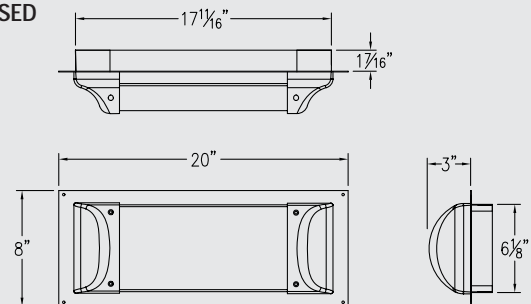
(Add Suffix to Model No.)	Suffix
Improved Diagnostics, Non-Audible	-IDNA
Damp Location (10°C to 40°C), (50°F to 104°F), normally-off only	-DL
Recessed Mount	-RM *
Recessed Mount T-Bar	-RT *

* Note: Recessed is NI (Non Insulation)

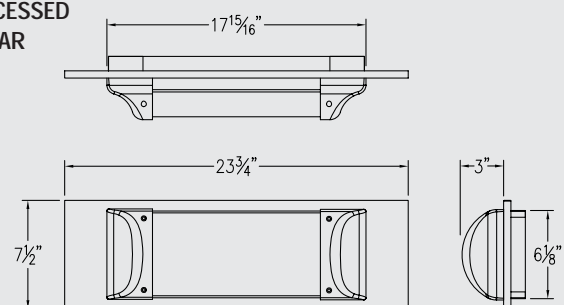


DIMENSIONS

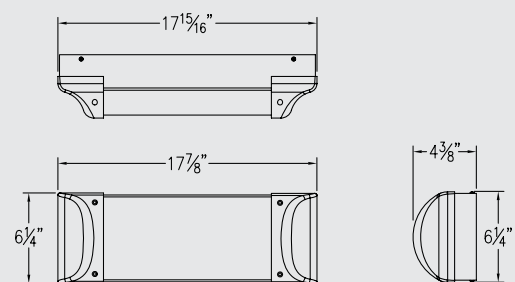
RECESSED



RECESSED T-BAR



WALL MOUNT



Dimensions are approximate and subject to change.

ORDERING FORMAT

PER	M	SP	12	W		-IDNA
Series	Unit Type	Emergency Back-up	Voltage/ Lamp Wattage	Body Color	Mounting Options	Options
PER=	M=Normally-On	SP=Self-Powered	11=120Vac, 1 x 27W, PL	W=White	Blank=Surface Mount	-IDNA=
Permanence	NM=Normally-Off		21=277Vac, 1 x 27W, PL	B=Black	RM=Recessed Mount	Improved
Fixture			12=120Vac, 2 x 11W, PL	G=Gray	RT=Recessed Mount	Diagnostics
			22=277Vac, 2 x 11W, PL		T-Bar	Non-Audible

Square-Lite SQ, SQ-D Series

6 Volt Decorative Style Equipment Sealed Maintenance-Free Lead-Calcium or Nickel-Cadmium Battery UL Listed



The SQ, SQ-D series was designed for institutional and commercial environments where overall style of décor is essential, but directional lighting is not critical. The standard Square-Lite is available as surface mount, but optional mounting includes semi-recessed and fully recessed.

FEATURES

Reliability

The Square-Lite "SQ" Series has a three-year full warranty (excluding lamps and fuses).

Unit Data

The Square-Lite unit is constructed of impact resistant, flame retardant, lightweight thermoplastic material in mist white color with a black back. A metal back box is provided where recessed installation is required. The all-metal fully recessed version is constructed of 20-gauge steel with a white baked enamel surface trim. All models are furnished with a specially designed reflector and prismatic lens. SQ-R conversion kit is available for semi-recessing into ceiling. FSQR, conversion kit available for fully recessed fixture. Bar hangers supplied with recessed kit. To order fully recessed metal fixture, please refer to Options.

Lamp

Furnished standard with one high efficiency tungsten halogen lamp (6 volt, 6, 8 or 10 watts). Provides a non-directional even light distribution with beam spread of more than 170°. The two-lamp option is available by specifying "-2" suffix (see Options).

PulseType Charger

- Automatic, temperature compensated, pulse type charger.
- High capacity, automatic, dust-tight instantaneous transfer relay.
- Low voltage disconnect prevents overdischarge of battery. Automatic brownout protection is provided.
- Labor saving AC line latch prevents battery discharge during installation to a non-energized circuit.
- Fused output circuit.

Controls

- Red charger monitor LED indicates the state of charge of the battery.
- Momentary test switch allows for quick operational check of entire system.

Power Requirements

120/277Vac, 60Hz, 0.3/0.15 Amp

OPTIONS

(Add Suffix to Model No.)

Fully Recessed Metal.....R *

*Bar hangers included

(Add Suffix to Model No.)

Improved Diagnostics (Lead-Calcium only).....-ID

Improved Diagnostics, Non-Audible.....-IDNA

Voltmeter.....-V *

Two Lamps.....-2

Polycarbonate Lens.....-PL

Time Delay (12 min.).....-TD **

* Not available with ID-IDNA option

** Not required with ID-IDNA option

ACCESSORIES

(Order as a separate item)

Wire Guard (For Semi-Recessed).....WG1

Wire Guard (For Fully-Recessed).....WG11

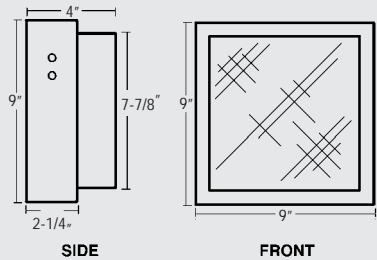
Semi-Recessed Conversion Kit.....SQ-R

Full-Recessed Conversion Kit.....FSQR

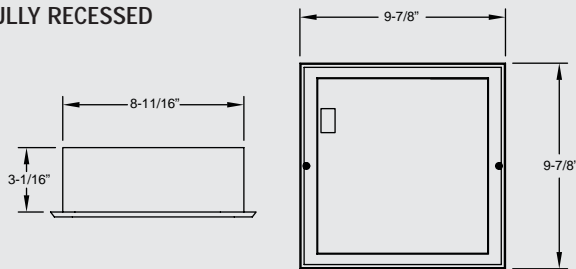
Matching style remote fixture, Model ELF644 available, see remote fixtures section.

DIMENSIONS

SURFACE MOUNT



FULLY RECESSED



Dimensions are approximate and subject to change.

UNIT RATING CHART

NO REMOTE CAPABILITY

Volts	Model # (unit/Lamp Suffix)	Battery	*Watts to 87-1/2% of Rated Battery Voltage	
			1-1/2 Hrs.	2 Hrs.
6	SQG/LH7	Sealed Lead-Calcium	10	-
	SQN/LH7	Nickel-Cadmium	10	-
WITH REMOTE CAPABILITY				
6	SQG-D/LH5	Sealed Lead-Calcium	24	18
	SQN-D/LH5	Nickel-Cadmium	30	18

* National Electrical Code Specification

ORDERING FORMAT

SQ	G	/LH7	-	V
Series	Battery Type	Lamp Suffix 6V 10W Halogen		Option (Voltmeter)