

S12E Series

12 Volt Commercial/Industrial Emergency Unit Sealed Maintenance-Free, Lead-Calcium Battery UL Listed

The S12E Series battery unit is best suited for applications requiring high capacity maintenance-free batteries, multiple remote capabilities or extended operating times. The 12-volt battery allows for longer remote wiring runs.

FEATURES

Reliability

The S12E Series has a three-year full warranty (excluding lamps and fuses).

Unit Data

The battery and all components are housed in a heavy-duty steel cabinet, with a removable front access panel for ease of installation and maintenance. The standard cabinet finish will be gray enamel, but "mist-white" is also available (see options). All cabinets come standard with 7/8" conduit knockouts, rear keyhole mounting slots and provisions for mounting up to 3 heads on the cabinet. Mounting brackets and platforms are also available, see accessories.

Lamp

Standard S12E Series units are furnished with two, Par 36 size, high impact mar-resistant thermoplastic heads with 25-watt high intensity incandescent lamps. The heads are fully adjustable horizontally and vertically. Optional lamps are available.

Pulse Type Charger

- Automatic, temperature compensated, pulse type charger.
- High capacity, automatic, dust-tight instantaneous transfer relay.
- Low voltage disconnect prevents over discharge of battery. Automatic brownout protection is provided.
- Labor saving AC line latch prevents battery discharge during installation to a non-energized circuit.
- Fused output circuit.

Controls

- Red charger monitor LED indicates state of charge of the battery.
- Amber AC-ON LED indicates AC power is on.
- Momentary test switch allows for quick operational check of entire system.

Power Requirements

120/277Vac 60Hz, 0.30/0.15 Amp

OPTIONS

(Add Suffix to Model No.)

	Suffix
Voltmeter (Not available with diagnostics)	-V
Ammeter (Not available with diagnostics)	-A
Lamp Disconnect Switch	-DS **
Time Delay (12 minutes)	-TD **
Improved Diagnostics	-ID *
Improved Diagnostics, Non-Audible	-IDNA *
3-Wire Cord & Plug	-3CP ***
3-Wire Cord & Plug (277V)	-3CP-277 ***
Mist White Color (Replace -G with -M)	-M

*S12E4 and S12E5 only

**Not required with ID/IDNA option.

***Standard cord is 3 ft. custom lengths available.

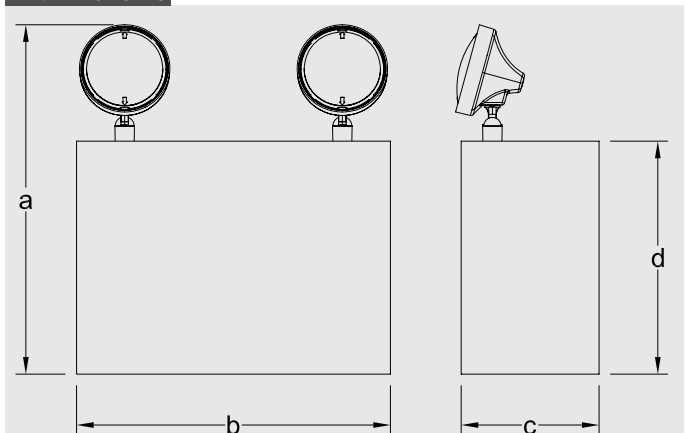
ACCESSORIES

(Order as a separate item)

Wire Guard (S12E4)	WG3
Wire Guard (S12E5/S12E6)	WG4
Mounting Platform (S12E4).....	MP-A
Mounting Platform (S12E5/S12E6).....	MP12
Mounting Bracket (S12E4)	MB-A



DIMENSIONS



Cabinet	Dimensions			
	a	b	c	d
C	18-3/8"	16-1/2"	7-1/4"	12-1/4"
D	18-3/8"	27"	7-1/4"	12-1/4"

Dimensions are approximate and subject to change

UNIT SELECTION CHART

Volts	Model No. (unit/Lamp Suffix)	*Watts to 87-1/2% of Rated Battery Voltage				Cabinet Size
		1-1/2 Hrs.	2 Hrs.	3 Hrs.	4 Hrs.	
12	2S12E4/L25-G	200	150	107	85	C
	2S12E5/L25-G	300	225	165	127	D
	2S12E6/L25-G	400	300	214	170	D

*National Electrical Code Specification

ORDERING FORMAT

2	S12E	4	/L25	-G	-V	-A
No. of Heads	Series	Capacity Indicator	Lamp Suffix	Gray Enamel Finish	Option (Voltmeter)	Option (Ammeter)
			12V 25W Incandescent			