

FG, F12G Series

6, 12 or 24 Volt Weather and Corrosion-Resistant Emergency Unit

Sealed Maintenance-free Lead Calcium or Nickel-Cadmium Battery

UL Listed

The FG Series battery unit was designed for industrial applications, especially for installations in a corrosive atmosphere. This enclosure is fully gasketed and is furnished with stainless steel hardware.

FEATURES

Reliability

The FG Series has a three-year full warranty (excluding lamps and fuses).

Unit Data

The housing is a molded gray high impact thermoplastic case, featuring oil, water and dust-tight construction, stainless steel hardware, single piece neoprene gasket and vented battery compartment. External mounting feet are provided. Conduit entry can be made with a punch, drill or hole saw.

Lamp

FG Series unit is furnished standard with two, Par 36 size, high-impact mar-resistant thermoplastic heads, with Par 36 sealed beam lamps. The heads are mounted to the front of the case and are fully adjustable horizontally and vertically. Optional lamps are available.

Pulse Type Charger

- Automatic, temperature compensated, pulse type charger.
- High capacity, automatic, dust-tight instantaneous transfer relay.
- Low voltage disconnect prevents over discharge of battery. Automatic brownout protection is provided.
- Labor saving AC line latch prevents battery discharge during installation to a non-energized circuit.
- Fused output circuit.

Controls

- Red charger monitor LED indicates state of charge of the battery.
- Amber AC-ON LED indicates AC power is on.
- Momentary test switch allows for quick operational check of entire system.

Power Requirements

120/277Vac 60Hz, 0.3/0.15 Amp

OPTIONS

(Add Suffix to Model No.)

	Suffix
Voltmeter (not required with diagnostics).....	-V *
Ammeter (not required with diagnostics).....	-A *
Improved Diagnostics (Lead-Calcium only).....	-ID
Improved Diagnostics, Non-Audible.....	-IDNA
Time Delay (12 minutes).....	-TD **
Thermal Jacket (120V Heater).....	-H1
Thermal Jacket (277V Heater).....	-H2
Lamp Disconnect Switch.....	-DS **
Phototest Switch.....	-PTS
3-Wire Cord & Plug (120V).....	-3CP ***
3-Wire Cord & Plug (277V).....	-3CP-277 ***

*Choose either a Voltmeter or an Ammeter.

**Not required with ID-IDNA option.

***Standard cord is 3 ft. custom lengths available.

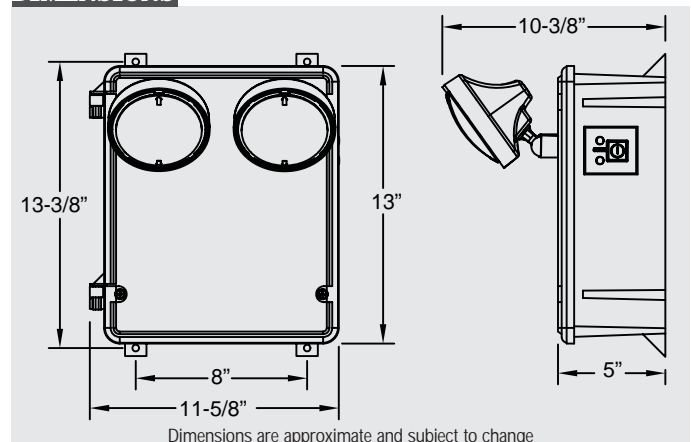
ACCESSORIES

(Order as a separate item)

Wire Guard.....WG3



DIMENSIONS



Dimensions are approximate and subject to change

UNIT SELECTION CHART

Each unit furnished with two 25W High Intensity incandescent lamp.

Volts	Model No. (unit/Lamp Suffix)	Battery Type	*Watts to 87-1/2% of Rated Battery Voltage		
			1-1/2 Hrs.	2 Hrs.	3 Hrs.
6	2FG1/4510	Sealed Maintenance-Free Lead-Calcium	50	36	25
	2FG2/4510		100	75	50
12	2F12G1/4446		50	36	25
	2F12G2/4446		100	75	50
12	2F12N1/4446	Nickel-Cadmium	50	36	18
24	2F24N2/4446		100	73	37

*National Electrical Code Specification

ORDERING FORMAT

2	FG	1	/4510	-V
No. of Heads	Series	Capacity Indicator	Lamp Suffix 6V 25W Incandescent	Option (Voltmeter)