



ECN, E12CN, ENN, E12NN Series

6 or 12 Volt NEMA Industrial Emergency Unit Sealed Maintenance-free Lead Calcium or Nickel-Cadmium Battery

Series meets requirements for operation under
NEMA 1, 2, 3, 3R, 3S, 4, 4X, 12 and 13 conditions

This NEMA Industrial emergency lighting unit series are designed for use in hostile environments where the presence of water, fibers, dirt, dust and corrosive gases can be potentially damaging to internal components

FEATURES

Reliability

The ECN, ENN (6 volt), E12CN and E12NN (12 volt) Series have a three-year full warranty (excluding lamps and fuses).

Unit Data

All units are housed in water and corrosion resistant cabinets constructed from glass-reinforced structural foam. Cabinets are silicone sealed and/or gasketed around all entryways, push-to-test switch is completely enclosed and corrosion resistant bushing is provided for field installed conduit entry. Breather devices allow for ventilation of battery gases without admitting damaging elements. All external hardware is stainless steel. A unique door-hinging device allows for removal of door panel or retention of the hinge by means of a small field adjustment.

Lamp

Units are equipped with a choice of standard incandescent or halogen sealed beam lamps. Lamps are housed in gray, industrial thermoplastic shells with matching swivels. Lamp housings are rain-tight and corrosion resistant. Wire connections are silicone sealed.

Pulse Type Charger

- Automatic, temperature compensated, pulse type charger.
- High capacity, automatic, dust-tight instantaneous transfer relay.
- Low voltage disconnect prevents over discharge of battery. Automatic brownout protection is provided.
- Labor saving AC line latch prevents battery discharge during installation to a non-energized circuit.
- Fused output circuit.

Controls

- Red charger monitor LED indicates state of charge of the battery.
- Amber AC-ON LED indicates AC power is on.
- Momentary test switch allows for quick operational check of entire system.

Power Requirements

120/277Vac 60Hz, 0.3/0.15 Amp

OPTIONS

(Add Suffix to Model No.)	Suffix
Time Delay (12 minutes).....	-TD
Voltmeter	-V
Ammeter	-A
Lamp Disconnect Switch	-DS
Thermal Jacket (120V Heater)	-H1
Thermal Jacket (277V Heater)	-H2
Cord & Plug Kit (120V)	WP-3CP *
Cord & Plug Kit (277V)	WP-3CP-277 *

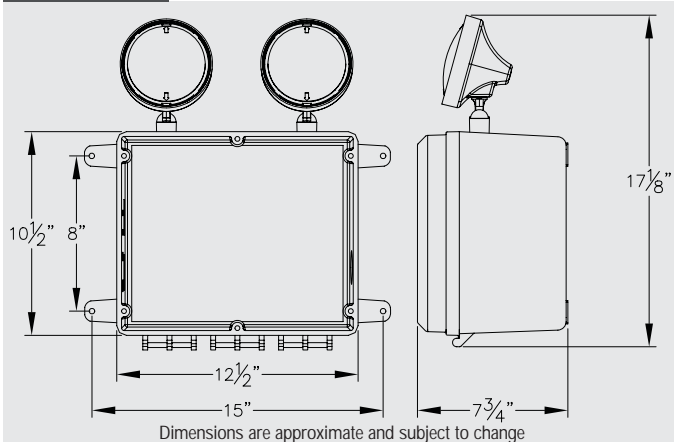
*Standard cord is 3 ft. custom lengths available.

ACCESSORIES

(Order as a separate item)

Wire Guard.....WG3

DIMENSIONS



UNIT SELECTION CHART

Volts	Model No. (unit/Lamp Suffix)	Battery Type	Input Watts	*Watts to 87-1/2% of Rated Battery Voltage			
				1-1/2 Hrs.	2 Hrs.	3 Hrs.	4 Hrs.
6	2ECN25	Sealed Lead-Calcium	18	25	20	15	12
	2ECN50		18	50	40	30	22
	2ECN100		40	100	75	50	36
	2ENN25	Sealed Nickel-Cadmium	18	25	20	15	12
	2ENN50		18	50	40	28	22
12	2E12CN50	Sealed Lead-Calcium	18	50	40	30	22
	2E12NN50	Sealed Nickel-Calcium	18	50	40	28	22

*National Electrical Code Specification

LAMP SELECTION CHART

	DC Voltage	Lamp Wattage	Lumen Output	Lamp Type	Lamp Suffix (Add to Unit Model No.)
Use With 6-Volt ECN, ENN Series	6	8	180	Halogen	H7551
	6	18	220	Incand.	4014
	6	25	350	Incand.	4510
Use with 12-Volt E12CN, E12NN Series	12	8	180	Halogen	H7555
	12	18	220	Incand.	4414
	12	25	350	Incand.	4446

ORDERING FORMAT

2	ECN	100	/H7551	-V
No. of Heads	Series	Capacity Indicator	Lamp Suffix 6V 8W Halogen	Option (Voltmeter)