

Camray™ Series



Remote Fixture

The **Camray™ Series** combines the photometrical performance to a visually appealing design.

An efficient reflector combined with two Xenon lamps deliver an incredible center-to-center spacing.

The die-cast aluminum housing is offered in a wide range of colors to complement any interior. It will blend with the most sophisticated décor.

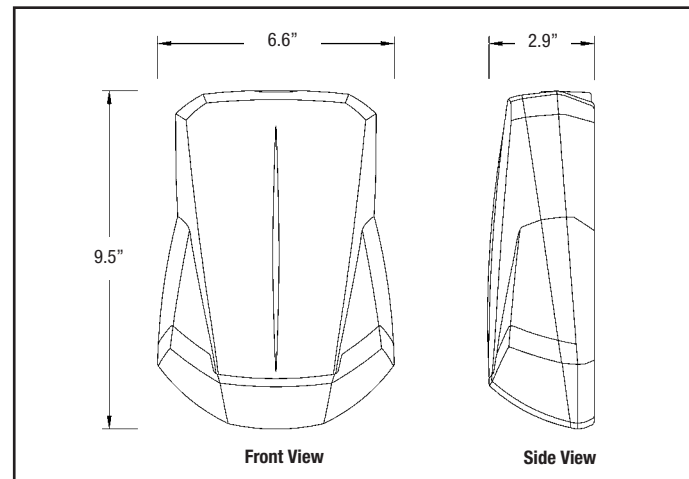
With its fully gasket housing, the **Camray™ Series** is also ideal for extreme outdoor environments.

Designed to meet the needs of architects and designers without sacrificing safety, this fixture is available in a widerange of colors to complement any interior.

OPTIONS

The **Camray™ Series** is offered in remote and self-powered configurations. It can be used in a wide range of applications, environments:

- **CAM Remote head:** UL listed for damp, wet and cold locations. Operating temperature: -40 °C to +60 °C (-40°F to +140°F)



FEATURES

Reliability

The **Camray™ Series** comes complete with a 3-year full warranty (excluding lamps).

Unit Data

The **Camray™** units are made of durable cast aluminum housing, finish with textured polyester powder coat paint. Four colors are available: off white, black, platinum gray and dark bronze. The vacuum-plated die-cast reflector will last over time. The lens is made of an impact and UV resistant polycarbonate.

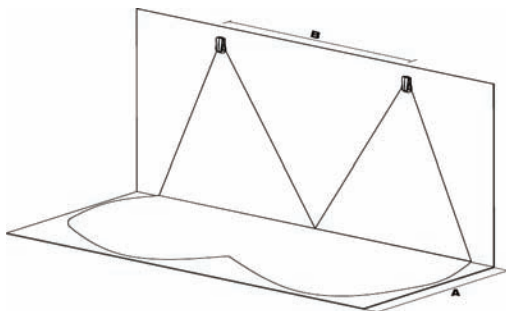
Units can be installed on various J-box with the universal mounting pattern. It can also be surface mount using the rigid conduit entry provision on the top of the unit.

Lamp information

The **Camray™** units are furnished with two high-output Xenon lamps. These lamps, combined with a patent pending reflector, deliver an incredible center-to-center spacing. The reflector has been designed to provide an evenly distributed illumination pattern for corridors, up to 6' wide.

ISO CURVE

Lamp Type	Mounting height	Center-to-center	
		A=3' A=6'	
2 X 6W	7.5'	B=28' B=19'	
	8.5'	B=25' B=18'	
2 X 10W	7.5'	B=30' B=28'	
	8.5'	B=34' B=30'	



Note: Photometric results shown are based on a simulation using the AGI32 software with a 1 foot-candle average and 0.1 foot-candle minimum with a 40:1 maximum ratio. Lightalarms assumes no responsibility for local requirements or specific project variable. This is a guideline to be used as a design aid, not guarantee of any code compliance.

ORDERING FORMAT

CAM Series	/LX6 Lamp Wattage	-OW Color	6 Options
CAM = Remote fixture (-40°C to +60°C)	/LX6 = 6W, Xenon lamps /LX10 = 10W, Xenon lamps	-OW = off white -B = black -DB = dark bronze -PG = Platinum gray	6 = 6V 12 = 12V
*Other colors available at a premium. Consult the factory.			