

“THE QUICKIE II”



QLX500/QLXN500



LCA-2MR



UQLXN500R/G-2MR

Introducing our new family of products
Universal Mount LED Exit Signs



features

- Injection-molded thermoplastic housing.
- Innovative, snap together design allows for fast installation.
- Replaceable knockout directional chevron's.
- UL924 listed.
- Low energy consumption LED light source.

■ QLX500/QLXN500

- 120/277 VAC input.
- Universal mounting comes complete with 2 face plates, 1 back plate, and canopy.
- Replaceable Ni-Cad battery provided.
- Provides 3 hours of continuous emergency illumination.

■ UQLXN500R/G-2MR features

- Replaceable lead-calcium (6volt 4.5ahr) battery.
- Universal 120/277 VAC input.
- Comes complete with 2 face plates, 1 back plate, and canopy.
- Two adjustable glare free light heads.
- Uses halogen MR16 lamps with front glass cover.

■ LCA-2MR features

- Replaceable lead-calcium (6volt 4.5ahr) battery.
- Universal 120/277 VAC input.
- Two adjustable glare free light heads.
- Uses halogen MR16 lamps with front glass cover.
- Test switch and charge indicators.

ordering information

■ AC Only and Self-Powered Exit Sign

To order specify the model number per the following sequence:

Example: QLX500R

Model

QLX500 = AC only

QLXN500 = Self-powered

Letter color

R = Red

G = Green

options

Damp location listed **DL**

accessories

(Order as separate item)

Wire guard, exit, wall mount **WG1**

Wire guard, exit, end/ceiling mount **WG5**

■ Combo Exit and Emergency Light

To order specify the model number per the following sequence:

Example: UQLXN500R-2MR

Model

UQLXN500 = Self-powered

Letter color

R = Red

G = Green

Combo Unit

2MR = 2 MR16

lamps

options

Damp location listed **DL**

accessories

(Order as separate item)

Wire guard, combo, wall mount **WG2**

Replacement MR16 lamp, 6V **580.0072**

■ Emergency Light

To order specify the model number per the following sequence:

Model
 LCA-2MR

options

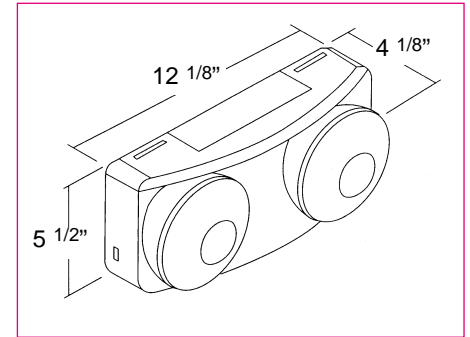
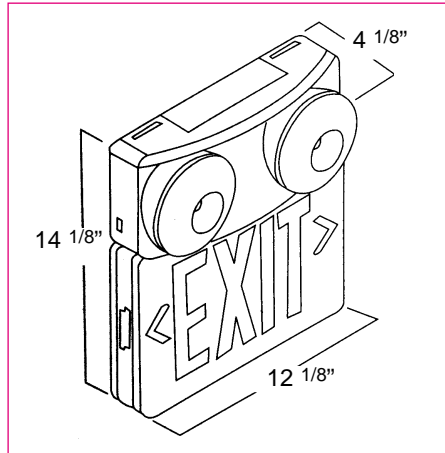
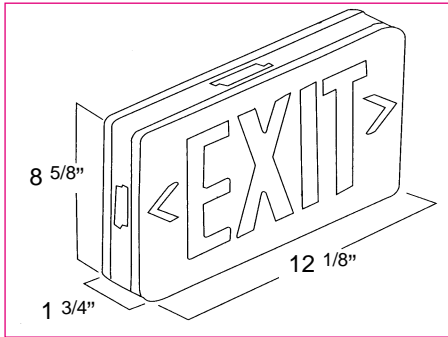
Damp location listed **DL**

accessories

(Order as separate item)

Replacement MR16 lamp, 6V **580.0072**

dimensions



Dimensions are approximate and subject to change.

specification

QLX500/QLXN500 Exit Sign

The contractor will install the Lightalarms _____ exit. The exit shall be suitable for wall, end, or ceiling mount. The face shall be constructed of a durable high impact thermoplastic. No screws are necessary to hold the face plate or canopy to the housing. The face plates shall come standard with snap out arrows. The frame shall be constructed of a one-piece thermoplastic mold. This sign shall be 120/277 VAC input and be UL924 listed. The Exit in self powered configurations will stay illuminated during emergency operation for no less than 3 hours upon AC failure.

Note: This fixture is offered as A/C only or self-powered. If a remote DC input is required refer to the Lightalarms UXQLR series.

UQLXN500R/G-2MR Combo Exit

The contractor will install the Lightalarms _____ combo unit. The combo unit shall be suitable for wall, end, or ceiling mount. The face shall be constructed of a durable high impact thermoplastic. No screws are necessary to hold the face plate or canopy to the housing. The face plates shall come standard with snap out arrows. The frame shall be constructed of a one-piece thermoplastic mold. This sign shall be universal 100 through 300 VAC input and be UL924 listed. The combo unit will come complete with 2 directional heads, glare free MR16 lamps with front glass cover and remain illuminated in emergency mode for a period of 90 minutes.

Note: This unit cannot power remote heads. If this feature is required refer to the Lightalarms X2 series.

LCA-2MR Emergency Light

The contractor will install the Lightalarms _____ battery unit. The emergency lighting system shall consist of fully automatic equipment with 2 MR16 glare free halogen heads. Each unit shall contain a fully automatic, solid state charger with test switch and AC on pilot light. The unit shall contain a solid state transfer circuit and low voltage disconnect circuit. The battery shall be 6 volts with a design life of 8 years with a capacity of 12 watts for 90 minutes. The unit shall be UL924 listed.

Note: This unit does not have remote capabilities. For units with remote capacity please refer to the Cavalier CA-3 series.

THE QUICKIE II SERIES



Introducing our new family of products
Thermoplastic LED exit
 with programmable
 lighting heads.

Damp location listing is standard in all models.

features

Housing

- Injection-molded UV stabilized thermoplastic housing, face plates, and canopy
- UL 94V-0 flame rating
- Innovative, snap-together design allows for fast installation
- Replaceable directional chevron inserts are easily removed and reinserted
- Two faces, backplate, and canopy
- Two fully adjustable glare-free SQ light heads for egress light

Mounting

- Wall or ceiling mounting
- Canopy snaps to housing with a twist-lock feature tightly securing the canopy to the housing

electrical features.

Electrical

- 120/277VAC dual voltage operation
- Low power consumption - LED's
- LED indicator light and push button test switch
- Remote capacity - may power additional remote heads (up to 6V 12W) with additional battery
- Low voltage battery disconnect
- All models are damp location listed

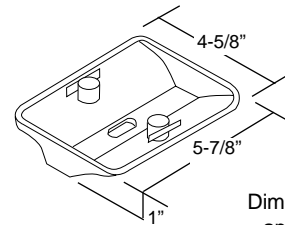
Lamps

- LED's mounted on print circuit board (for exit sign)
- LED lamps are operated in normal (AC input) and emergency (DC input) modes.
- 2 x 6V 5.4 watts DC T5 wedge base lamps for emergency mode

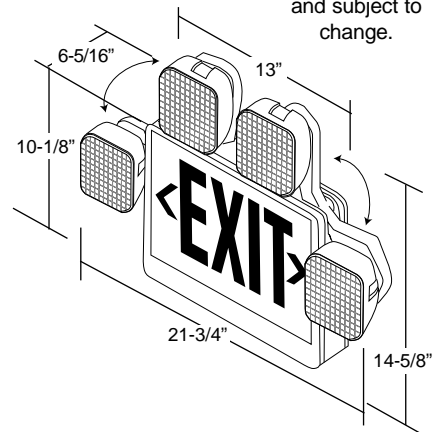
Battery

- Sealed maintenance-free lead-calcium battery
- Additional battery available for 12 watts remote load or extended unit run time (see how to order).

dimensions



Dimensions are approximate and subject to change.



ordering information

Specify the model number per the following sequence: **Example: UXQLXN500R2SQR**



UQLXN500
 Series
 Self-powered



R
 Legend color
R = Red
G = Green



2SQ
 Combo unit
SQ = 6V 5.4W heads



R
 Capacity Indicator
Blank = No remote capacity
R = 12 watts remote capacity

accessories

(order as a separate item) Suffix
 Wireguard (heads in any position) . . . **WG10**
 Replacement battery **860.0004**
 Replacement lamp (standard) . . . **570.0012**

Introducing our new family of products
Thermoplastic Emergency Lighting unit with adjustable lighting heads.

Damp location listing is standard in all models.

Sealed Maintenance Free Batteries

- Lead calcium



features

■ Housing

- Injection-molded UV stabilized thermoplastic housing and backplate
- UL 94V-0 flame rating
- Innovative, snap-together design allows for fast installation
- Two fully adjustable glare-free SQ light heads for egress light

■ Mounting

- Wall or ceiling mounting
- Universal knock-out pattern on the backplate allows for J-box mounting.

electrical features. dimensions

■ Electrical

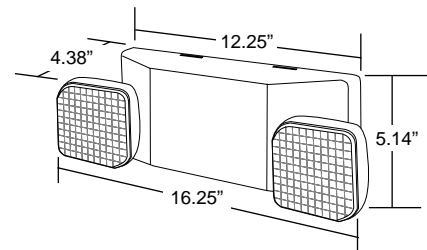
- 120/277VAC dual voltage operation
- LED indicator light and push button test switch
- Remote capacity - may power additional remote heads (up to 6V 11W).
- Low voltage battery disconnect
- All models are damp location listed

■ Lamps

- 2 x 6V 5.4 watts DC T5 wedge base lamps for emergency mode

■ Battery

- Sealed maintenance-free lead-calcium battery designed to power 11 watts remote load or extended unit run time.



Dimensions are approximate and subject change.

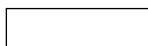
ordering information

Specify the model number per the following sequence: **Example: LCA2SQR**



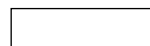
LCA

Series
Self-powered



2SQ

Light Heads
2SQ = 6V 5.4W



R

Capacity Indicator
R = 11 watts remote capacity*

*Do not exceed rated unit capacity.

accessories

(order as a separate item)	Suffix
Replacement battery	860.0018
Replacement lamp (standard).....	570.0012
Vandal shield.....	VRS.BB
Vandal Shield (NEMA 4X)	VRSBB.4X