



# Quickie II "QLXN500-SQ" Series

**Quickie II – Thermoplastic LED Combination Units**  
**Sealed Maintenance-free Lead Calcium battery**  
**Damp location listing is standard on all models**  
**UL Listed**

The **Quickie II "QLXN500-SQ" Series** is our combo unit with field adjustable heads to accommodate job site mounting requirements.

## FEATURES

### Reliability

The **Quickie II "QLXN500-SQ" Series** has a three-year full warranty. (excluding lamps and fuses)

### Unit Data

The housing, faceplates and canopy are constructed of a durable high-impact thermoplastic material (94,5VA Flame rating) available only in mist-white. The combo is suitable for wall or ceiling mount and comes standard with two faceplates, a backplate and a snap-fit canopy that requires no hardware to secure to the unit.

The two, 6 volt, 6-watt wedge base, glare-free emergency lighting heads can be positioned as top mount or side mount without disassembly or rewiring of the unit.

The light source of the exit sign will be red LED technology, which will provide a uniform illumination on the legend. LED lamps are operated in normal (AC input) and emergency (DC input) modes.

The combo is powered in the emergency mode by a sealed, maintenance-free Lead Calcium battery that is pre-wired to accommodate an additional battery should a remote load be required. Remote capacity – may power additional remote heads (up to 6 Volt, 12 Watt) with additional battery

### Lamp

The combo comes standard with two fully adjustable, glare-free, 6 Volt, 6 Watt wedge base lamps.

### Power Requirements

Universal voltage, 2-wire input 120/277Vac, 60Hz

## OPTIONS

<b>(Add Suffix to Model No.)</b>	<b>Suffix</b>
*Remote Capacity (12 watts) .....	R
* Do not exceed rated unit capacity.	

## ACCESSORIES

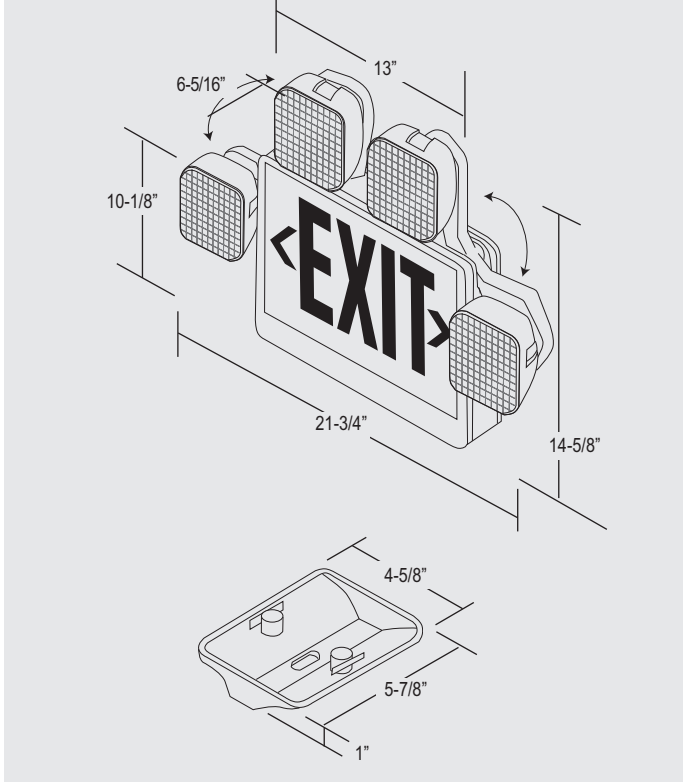
**(Order as a separate item)**

Wire Guard (heads in any position) .....	WG10-L
Replacement Battery .....	860.0004-L
Replacement Lamp (standard).....	570.0012-L



## DIMENSIONS

Dimensions are approximate and subject to change.



## ORDERING FORMAT

UQLXN500	R	2SQ	R
<b>Series</b>	<b>Stencil Face</b>	<b>Light Heads</b>	<b>Capacity Indicator</b>
UQLXN500= Self-powered	R= Red G= Green	2SQ = Lamps standard 6V 6W	Blank=No remote capacity R=12W remote capacity