

RPR Series

Recessed Architectural Remote Emergency Lighting

WARNING:
Risk of Shock.
Disconnect Power before Installation.

IMPORTANT SAFEGUARDS

When using electrical equipment, basic safety precautions should always be followed including the following:

READ AND FOLLOW ALL SAFETY INSTRUCTIONS

1. All servicing should be performed by qualified service personnel.
2. All unused wires must be capped to prevent shorting.
3. Indoor use only.
4. Do not let power supply touch hot surfaces.
5. Do not mount near any heat source.
6. Equipment should be mounted in locations where it will not readily be subjected to tampering by unauthorized personnel.
7. The use of accessory equipment not recommended by the manufacturer may cause an unsafe condition.
8. Do not use this unit for other than its intended use.
9. Unit to be installed only as per configuration described in this instruction manual.

SAVE THESE INSTRUCTIONS

Installation Instructions

The unit comes with a rectangular and round trim plate pre-assembled and secured with a peel-off plastic sheet.

For round trim plate installation: no action is required, continue with installation.

For rectangular trim installation: only remove enough of the peel-off sheet to easily lift the round trim plate up and over the back box leaving enough of the peel-off sheet to protect the rectangular trim.

1. Turn off AC and DC power.
2. Refer to proper section according to preferred installation.

Suspended Ceiling mount (T-bar) (figure 2)

i

Important: Before cutting opening in ceiling see figure 1 for unit alignment along the corridor. To ensure a proper fit, a maximum of 1/16" clearance around the perimeter of the hole is permitted (for a total of 1/8" on overall length or width). Oversizing hole would yield a visible opening.

1. Cut rectangular opening in ceiling using the metal ceiling plate as a template. Note: Unit should be centered along bar hanger direction.
2. Assemble the adjustment hanger brackets to the ceiling mounting plate leaving the kep-nuts loose.
3. Install the bar hangers in the adjustment brackets.
4. Install bar hanger/ceiling plate assembly onto T-bar ensuring the notches clip onto the T-bar.

!

WARNING: FOR SAFETY, THE NOTCHES ON THE BAR HANGER MUST CLIP ONTO THE T-BAR (SEE FIGURE 3). T-BAR MUST BE INSTALLED FROM 15 INCHES TO A MAXIMUM OF 24 INCHES CENTER TO CENTER TO PROPERLY ACCOMMODATE BAR HANGER IN CORRECT ORIENTATION (SEE FIGURES 1 & 2 or 1 & 4).

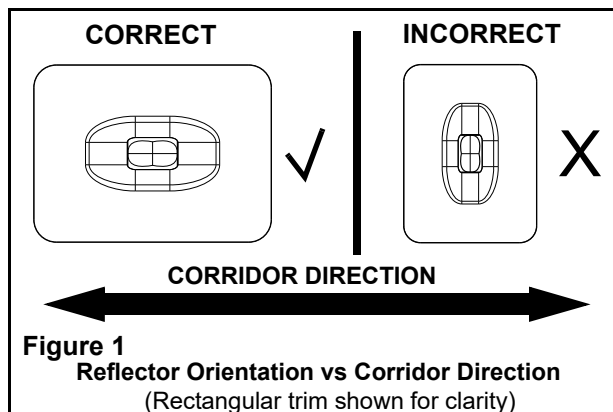


Figure 1
Reflector Orientation vs Corridor Direction
(Rectangular trim shown for clarity)

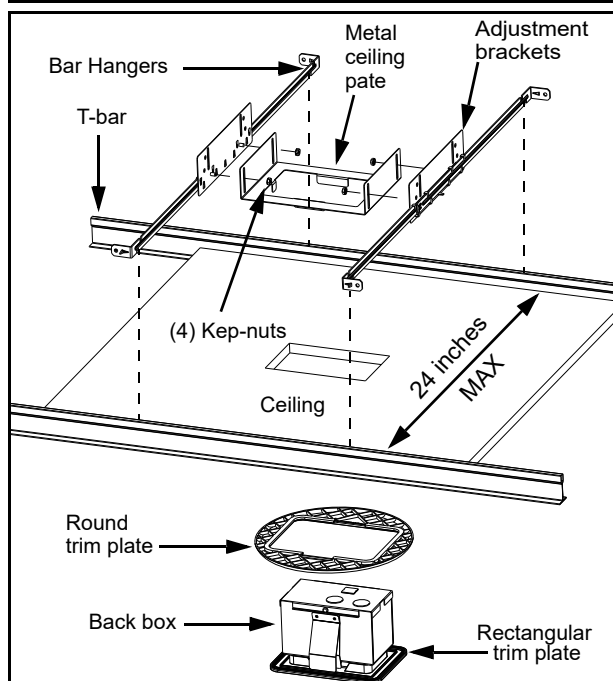


Figure 2 - Suspended ceiling mount (T-bar)

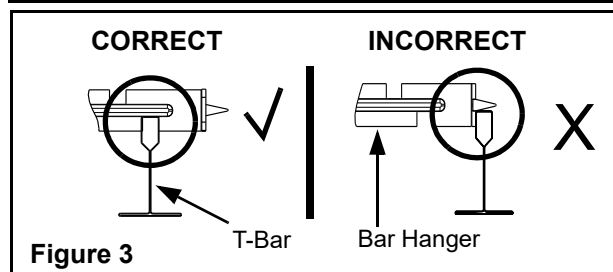


Figure 3

CAUTION:
DO NOT LOOK DIRECTLY INTO ILLUMINATED LUMINAIRE.

i

Important: Install product no higher than the maximum mounting height of 12 feet (3.6 meters) from the floor.

5. Adjust height of bar hanger/ceiling plate assembly such that the ceiling plate is flush with the surface then tighten keps-nuts to hold the ceiling plate in place.
6. See electrical connections.

Recessed Ceiling mount (Plenum or Insulated) (figure 4)

1. Remove round knockout on plenum box.
 - a. Install cable fitting.
 - b. Route electrical cable into the plenum box and leave 6" of wire length.

i Important: Before cutting opening in ceiling see figure 1 for unit alignment in corridor.

2. Cut rectangular opening in ceiling using the plenum box as a template. Note: for plenum installation the opening must be tight against the plenum box.
3. Assemble the adjustment hanger brackets to the plenum box leaving the nuts loose.
4. Install the bar hangers in the adjustment brackets.
5. Install bar hanger/plenum box assembly onto T-bar ensuring the notches clip onto the T-bar.
6. Adjust height of bar hanger/plenum box assembly so that the plenum box is flush with the surface then tighten the nuts to hold the plenum box in place.
7. See electrical connections

Retrofit in Gypsum ceiling (figure 5)

1. Cut rectangular opening in gypsum using the metal ceiling plate as a template.
2. See electrical connections

Electrical connection (figure 6)

- a. Remove the round knockout on the cover and install cable fitting.
- b. Route AC or DC circuit of rated voltage into the back box and leave 6" of wire length.
- c. Connect ground wire.

Remote AC power supply:

The system accepts input voltages of 120 VAC to 347 VAC:
Connect the white lead to neutral and purple lead to AC line voltage.

Remote DC power supply:

The system accepts input voltages from 6Vdc to 24Vdc.
Respecting the polarity: Connect the RED wire to positive and BLUE wire to negative.

⚠ WARNING: FAILURE TO CONNECT THE PROPER POLARITY WILL RESULT IN EQUIPMENT DAMAGE AND WILL VOID THE MANUFACTURER WARRANTY.

For Suspended Ceiling mount and Retrofit in Gypsum ceiling installation only.

- a. Install back box cover and secure cover with screw.

Final installation

Insert unit into rectangular opening by compressing springs and pushing upwards until the trim plate is tight against the surface.

Note: if the trim plate is not tight on the surface, remove unit and gently pull outward on each spring to widen then reinsert unit.

Remove peel-off sheet from trim.

Warranty: For the complete warranty information, refer to (www.lightalarms.com/warranty).

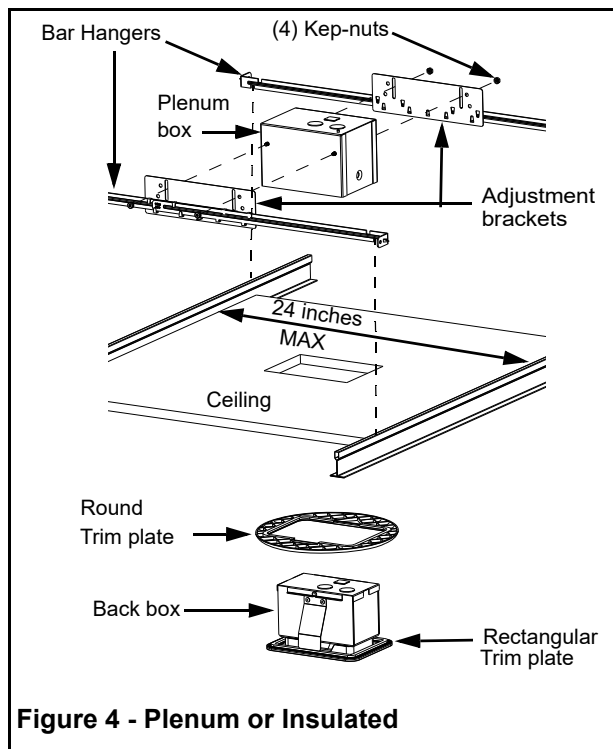


Figure 4 - Plenum or Insulated

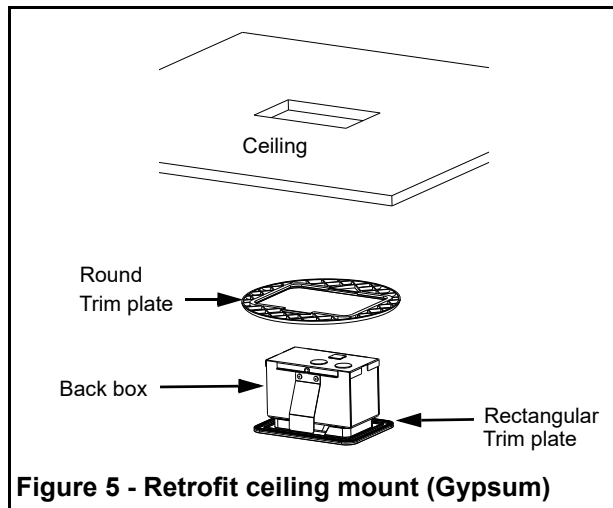


Figure 5 - Retrofit ceiling mount (Gypsum)

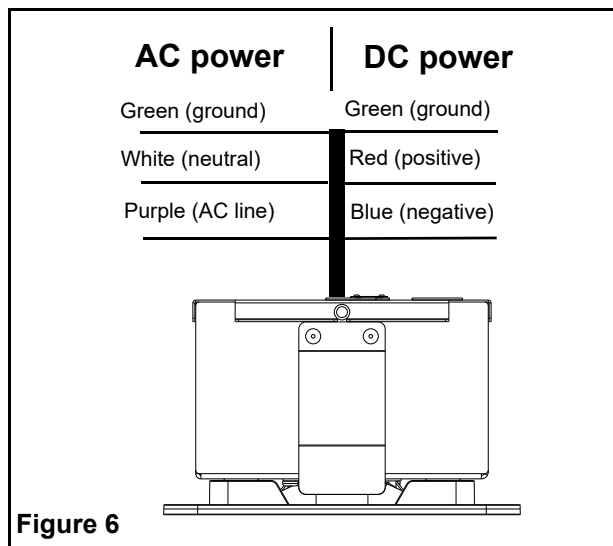


Figure 6