

## Recessed and Surface Mount LED 6 INCH EXIT Sign

### AC and Self-Powered models



**WARNING:**

**Risk of Electrical Shock.**

**Disconnect Power before Installation.**




## IMPORTANT SAFEGUARDS

When using electrical equipment, basic safety precautions should always be followed including the following:

## READ AND FOLLOW ALL SAFETY INSTRUCTIONS

1. All servicing should be performed by qualified service personnel.
2. All unused wires must be insulated to prevent shorting.
3. Do not use outdoors.
4. Do not let power supply cords touch hot surfaces.
5. Do not mount near gas or electric heaters.
6. Use caution when handling batteries. Battery acid can cause burns to the skin and eyes. If acid is spilled on the skin or eyes, flush affected area with fresh water and contact a physician immediately.
7. Avoid possible shorting.
8. Equipment should be mounted in locations and at heights where it will not readily be subjected to tampering by unauthorized personnel.
9. The use of accessory equipment not recommended by the manufacturer may cause an unsafe condition.
10. Do not use this equipment for other than intended use.
11. Allow battery to charge for 24 hours before first use.

## SAVE THESE INSTRUCTIONS



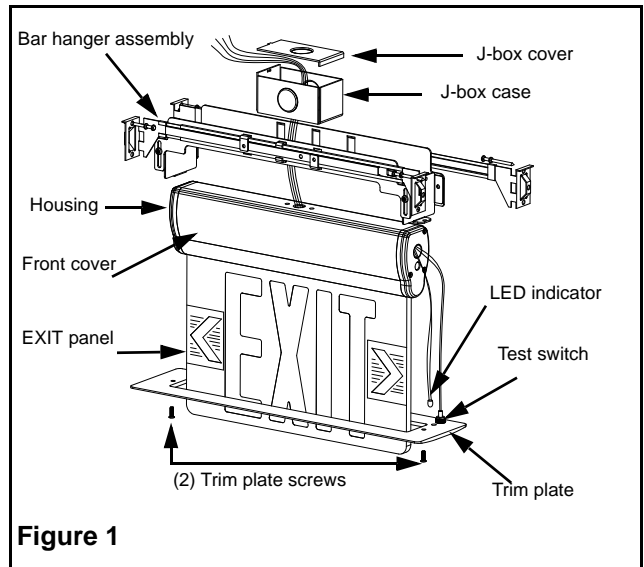
**IMPORTANT:** This sign shall be installed only where there is adequate colour contrast between the sign legend and the interior wall finish behind the sign, to provide for sufficient visibility.

### Installation Instructions

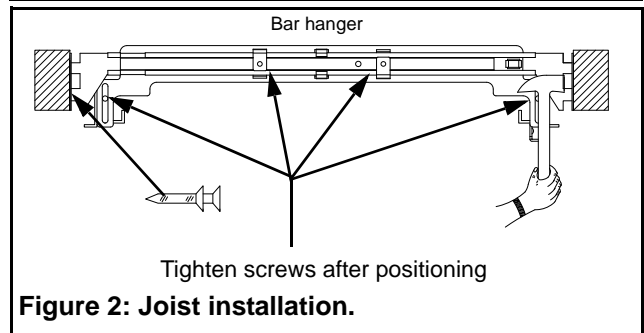
1. Turn off AC power.
2. Remove the front cover from the housing by gently prying it open with a flat head screwdriver (see fig.4).

### Recessed Ceiling Mounting

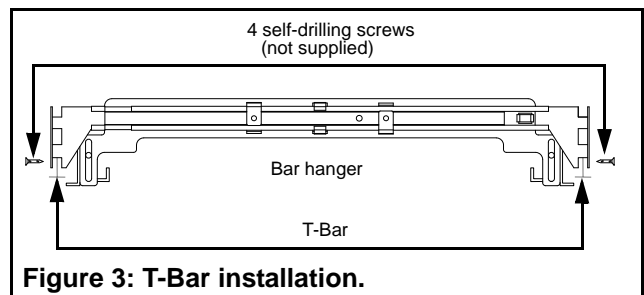
1. Refer to assembly drawing before starting installation (see figure 1).
2. Depending on your installation, install the bar hanger assembly as shown in figures 2 or 3.  
Note: when mounting onto a T-bar the bar hanger must be screwed into the T-bar with 4 self-drilling screw (not supplied) as shown in figure 3.
3. Adjust height of bracket vertically using adjusting slots and tighten all screws on adjusting slots and bar hanger bracket to secure bar hanger bracket and bar hanger.
4. Remove j-box cover and mount j-box case onto the housing using the provided screws (see fig.5).
5. Feed AC supply wires out of the housing into the j-box case.
6. Connect the battery connectors together (Self-power models only).
7. Reinstall the front cover.
8. Feed AC supply wires into the j-box.



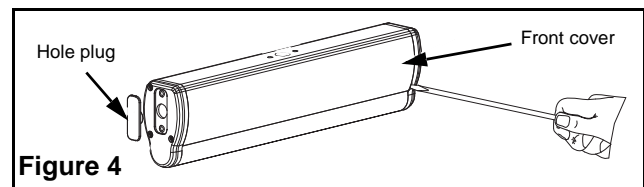
**Figure 1**



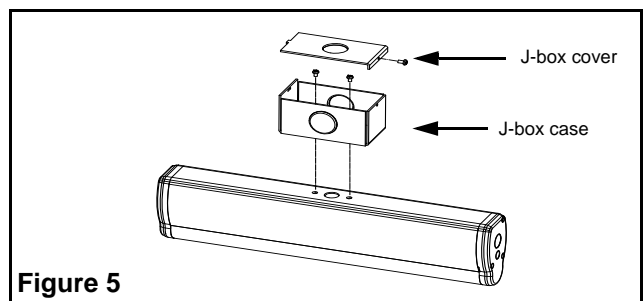
**Figure 2: Joist installation.**



**Figure 3: T-Bar installation.**



**Figure 4**



**Figure 5**

9. Make electrical connections (see electrical connections).
10. Reattach the j-box cover to the j-box case.
11. Snap the housing assembly into the bar hanger assembly (see fig.6).
12. If applicable, connect the test switch connector and insert the LED indicator into the trim plate (Self-power models only)(see figure 1).
13. Secure the trim plate to the bar hanger assembly by using the provided screws (see figure 1).

### Surface Ceiling & Wall mounting

- a. Attach the crossbar to the junction box with screws (not provided).
- b. Snap the hole plug into the opened end of the housing (if applicable).
- c. Feed AC supply wires through canopy center hole.
- d. Assemble canopy onto housing assembly with provided screws and make the proper wire connections.
- e. Using provided screws, tighten canopy to the crossbar (see figure 7).

### Surface End Mount

- a. Attach crossbar to junction box with screws (not provided).
- b. Feed AC supply wires through canopy center hole.
- c. Assemble canopy onto housing assembly with provided screws and make the proper wire connections.
- d. Using provided screws, tighten canopy to the crossbar (see figure 9).

### Electrical connections

Make the proper connections (see figure 10):

- a. For 120VAC, connect the black and white wires to the building utility.
  - b. For 277VAC, connect the orange and white wires to the building utility.
  - c. Connect the green ground wire to the ground.
  - d. Cap unused wires. In all cases, use suitable wire nuts rated for the applicable voltage to connect to wires.
14. Single face EXIT only: ensure the EXIT letter direction is correct then stick the mirror film to the opposite side of the panel (see fig. 11).
  15. Insert the EXIT panel gently into the housing assembly (see fig. 11).
  16. Determine chevron placement: (see fig.11)
    - a. If a chevron is needed leave the chevron on and remove only the film instruction.
    - b. If no chevron is needed remove the chevron and film instructions together.
  17. This unit can be mounted on any flat surface. The Exit panel can be rotated to any angle range from 0° to 180° (see fig. 11).

This unit comes with a (3) three year limited warranty.

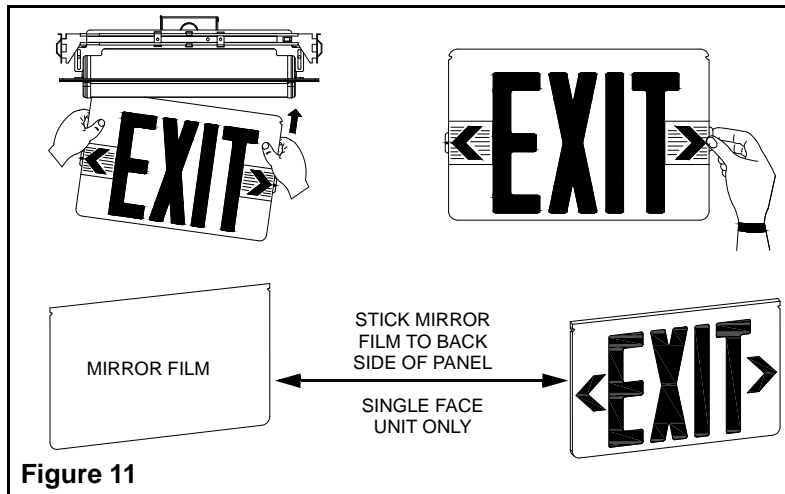


Figure 11

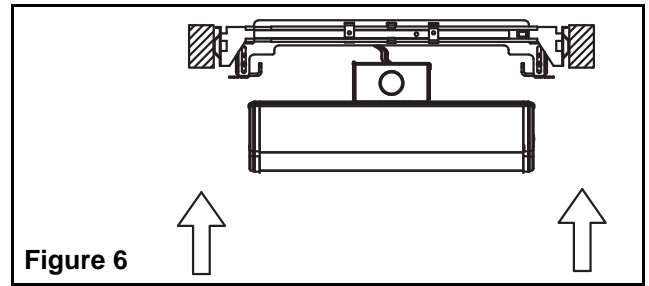


Figure 6

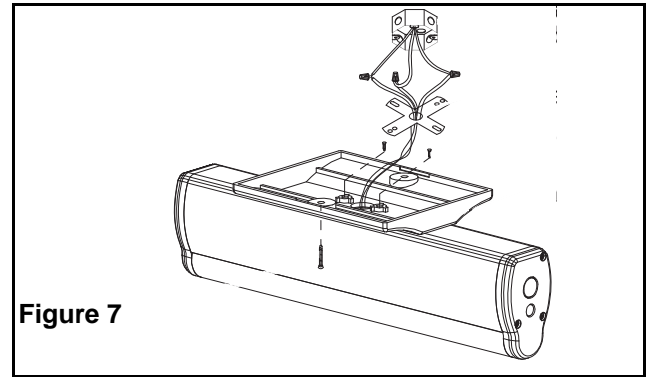


Figure 7

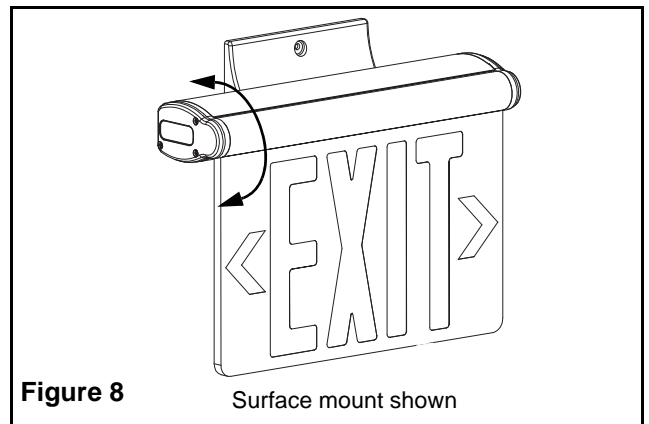


Figure 8

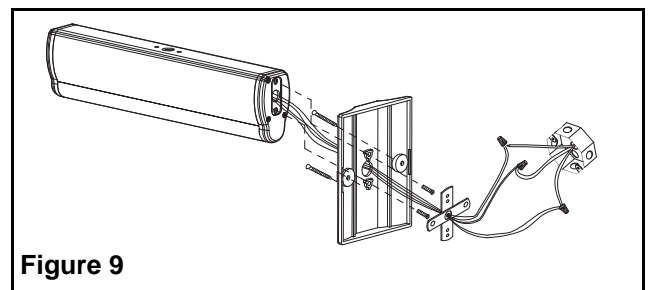


Figure 9

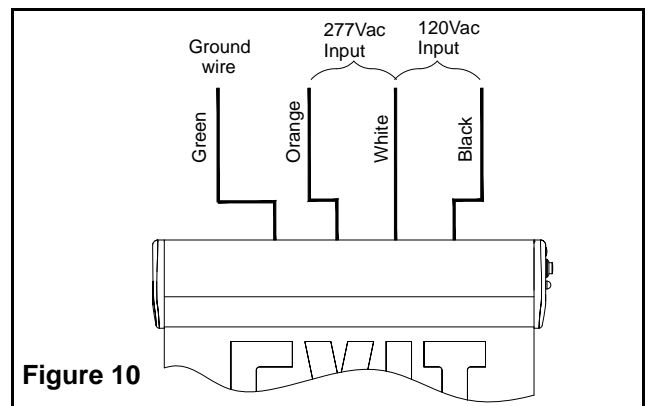


Figure 10