

# LED Exit Light Pipe Combo Unit



## IMPORTANT SAFEGUARDS

When using electrical equipment, basic safety precautions should always be followed including the following:

## READ AND FOLLOW ALL SAFETY INSTRUCTIONS

1. All servicing should be performed by qualified service personnel.
2. All unused wires must be capped to prevent shorting.
3. Consult your local building code for approved wiring and installation.
4. Do not use outdoors.
5. Do not let power supply cords touch hot surfaces.
6. Do not mount near gas or electric heaters.
7. Use caution when handling batteries.
8. Equipment should be mounted in locations and at heights where it will not readily be subjected to tampering by unauthorized personnel.
9. The use of accessory equipment not recommended by the manufacturer may cause an unsafe condition.
10. Do not use this equipment for other than intended use.
11. Allow battery to charge for a full 24 hours after installation or power failure before testing.
12. Unit to be installed only as per configuration described in this instruction manual.

## SAVE THESE INSTRUCTIONS

### Installation Instructions

**IMPORTANT:** Install product no higher than the maximum mounting height of 8 feet from the floor.

1. Turn off AC power.
2. Route AC circuit of rated voltage into the junction box and leave 6" wire length.
3. Remove the lens covering the light pipe LED strip by pushing the two tabs on the lens inwards and lifting the lens out, then set aside (fig. 1).
4. Remove and set aside the face plate and mounting hardware.
5. For double face unit (OPTION): remove the back plate and replace it with the second face plate provided (Ceiling and End mount only).

#### Wall mounting

- a. Knock out the proper hole pattern in the back plate to mount to a standard junction box. Note: place a support on either side of the knockouts to be removed then knock out with a screwdriver.
- b. Secure wires using wire retaining clip located on back plate and feed AC supply leads out through the center hole (fig. 2).

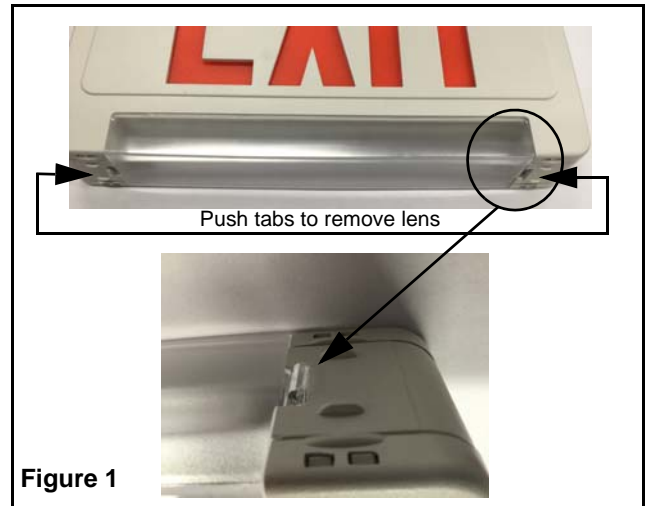


Figure 1

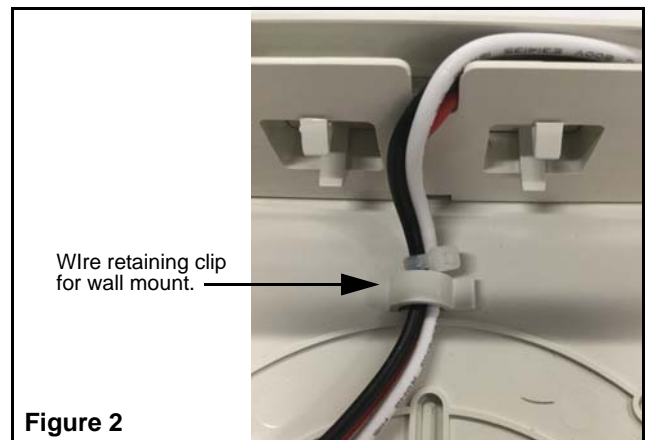


Figure 2

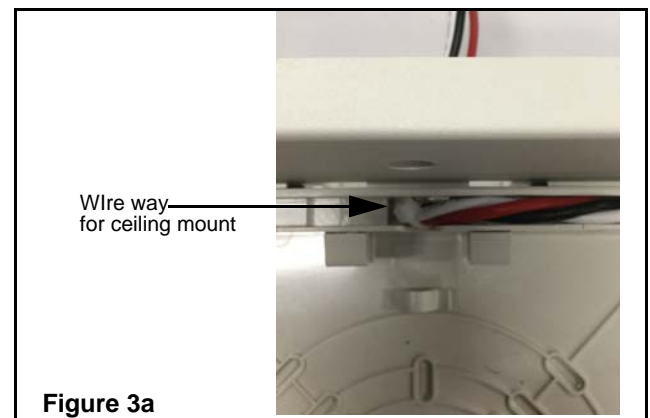


Figure 3a

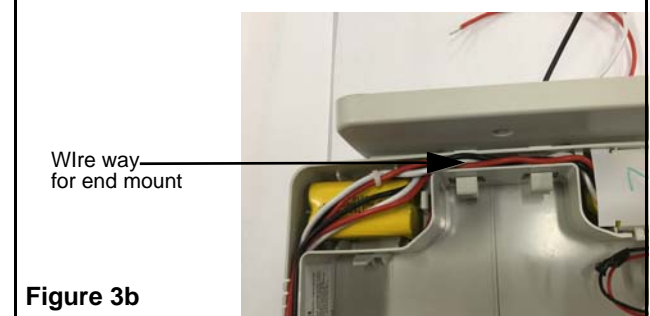


Figure 3b

- c. The system can accept input voltages of 120 VAC or 277 VAC. Therefore, connect the black (120 VAC) or red/orange (277 VAC) and white (common) leads to the building utility (fig.4a). For units with remote capacity see figure 4b.
- d. Feed excess wire into the junction box.
- e. Mount the unit securely to the junction box using the junction box screws.

### Ceiling (fig.3a) or End (fig. 3b) mount

- a. Fasten the spider plate to the junction box using the junction box screws.
  - b. Remove the hole plug located on top or side of the unit depending on mounting configuration.
  - c. Snap the canopy into the open hole and ensure the canopy is secure.
  - d. Route unit wires out through the hole of the frame canopy assembly.
  - e. The system can accept input voltages of 120 VAC or 277 VAC. Therefore, connect the black (120 VAC) or red/orange (277 VAC) and white (common) leads to the building utility (fig.4a). For units with remote capacity see figure 4b.
  - f. Feed excess wire into the junction box.
  - g. Install the frame canopy assembly to the two threaded holes in the spider plate using the two long screws provided.
6. Remove chevrons (in necessary)
    - a. Remove colored panel from face plate.
    - b. Push out appropriate chevron.
    - c. Snap colored panel back on to face plate.
  7. Connect battery connector to the PCBA.
  8. Snap face plate back on the the unit.
  9. Turn on AC supply. The charge indicator lights will illuminate.
  10. Adjust LED light pipe to desired position using a flat head screw drive and turning the orientation knob located next the the test switch (fig. 5).

### Normal Output

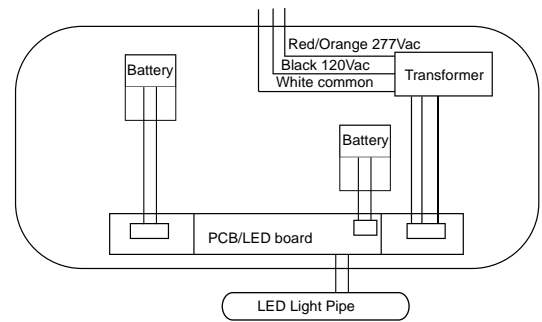


Figure 4a

### High Output

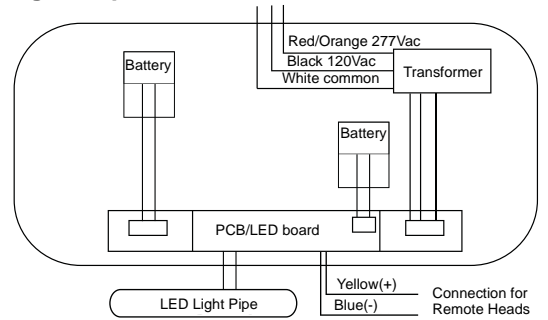


Figure 4b

## Manual Testing

To test the equipment, depress the TEST switch. The charge (LED) indicator will turn OFF, the Exit sign will remain lite and the emergency lights will illuminate. After testing, the automatic charger will restore the battery and try to maintain it at a fully charged state.

NFPA 101 (Life Safety Code) requires that all emergency lighting equipment be functionally tested every 30 days for a minimum of 30 seconds and tested annually for a full 90 minute duration. Written records of the testing are to be kept for examination by the authority having jurisdiction.

## Maintenance

None required. Unit should be tested monthly in accordance with safety codes and local codes.

Clean lens when required.

If AC supply to the unit is to be disconnected for 2 months or more, the battery must be disconnected.

## Trouble shooting guide

If LED heads or LED indicator does not illuminate, check the following:

1. Check AC supply.
2. Unit has shorted or battery is not connected.
3. Battery discharge. Connect unit to AC supply and allow battery to charge for 24 hours before re-testing.
4. If above trouble shooting hints do not solve your problem, contact factory for assistance.

This unit comes with a (3) three year limited warranty.

