

SPH Series

Class I Division 2, Groups A, B, C and D, Class II Division 2 Groups F and G & Class III. NEMA-4X Severe-performance unit equipment for hazardous, damp and wet locations.



Housing

- Class I, Div. 2, Groups A, B, C & D, Class II Div. 2, Groups F & G, Class III
- Fiberglass light-grey housing with captive screws; outside hardware in stainless steel
- NEMA-4X protection grade against liquids and dust
- Compact size: 0.46 cubic feet

Mounting

- Simple and easy to install on walls, columns and struts
- For installation on columns use mounting bracket catalog number: PMK1-L (order separately)
- May be wired from top or side using conduit (½" NPT)

Performance

- Wide ambient temperature range (choice of battery types) *32°F to 122°F (0°C-50°C) high temperature Lead-Calcium battery *50°F to 104°F (10°C to 40°C Nickel Cadmium battery Optional cold-weather -40°F (-40°C) (available with 12V battery models only)
- High-efficacy LED emergency lamps outperform traditional 50W halogen lamps
- Innovative lamp design: four-LED and dual-driver provide illumination even in case of unexpected component failure

Testing option

- Infra-red remote control tester included in all models: allows testing the equipment without the need to climb a ladder. Distance range up to 30 ft. Universal, one Remote Control may test all the units on the job
- Non-Audible Improved Diagnostics and Self-test available
- Optional: Nexus® monitoring system available

Approvals

- Listed UL924 and UL844 for hazardous locations: Class I Division 2, Groups A, B, C and D; Class II Division 2 Groups F & G and Class III; Rated NEMA-4X severe-performance for hazardous, damp and wet location.
- BC – California Energy Commission Title 20

Warranty (subject to proper installation and maintenance)

Unit: five-year limited warranty

Detailed warranty terms located on **page 197** or online at: www.lightalarms.com

nexus

NEMA-4X



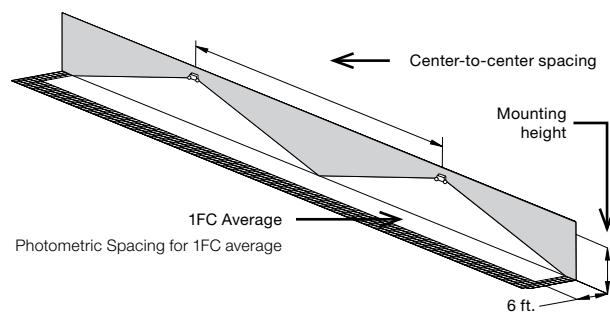
Photometry performance

Capable of being installed indoors or outdoors, the SPH Series LED emergency lights deliver a stable and consistent illumination on the path of egress for a wide range of mounting heights.

LED Head	Power	Total lumens	Outperform spacing of MR16 halogen lamp types
L15	15W	1300	50W MR16 Halogen

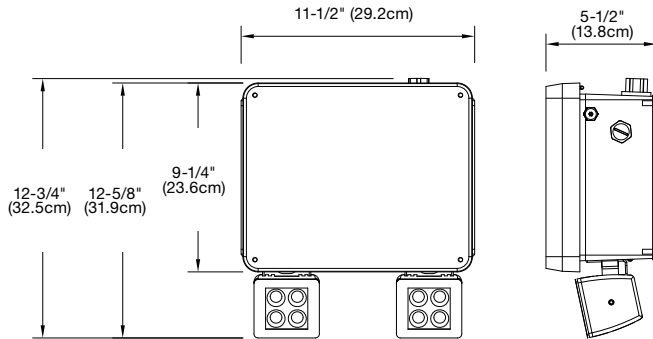
Spacing center-to-center (feet)

Mounting height	Lamp L15/15W, 1300Lm
10 ft	140'
15 ft	135'
20 ft	130'
25 ft	120'

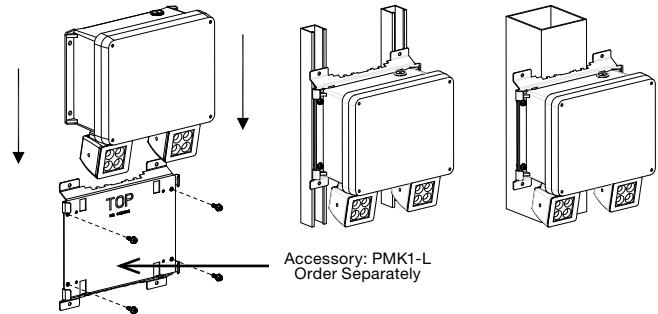


Industrial environment: Wall mounted equipment, reflectances: 10/10/10; 6-ft wide illumination path. Illumination as per NFPA101; Average: 1fc; Min: 0.1fc; Max/min < 40:1

Dimensions (Dimensions are approximate and subject to change)



PMK1-L Universal Mounting Bracket Installation



Power consumption chart: maximum current draw

Temperature	Specification
Standard temperature range	120/277VAC, 60Hz, 0.30/0.15A
Cold-weather option	120/277VAC, 60Hz, 0.70/0.35A

Classification for hazardous locations

Lamp rating	Temperature code	Maximum temperature	Replacement part number
		Nickel-cadmium Ta= 104°F/40°C	Lead-acid Ta= 122°F/50°C
L15 (15W)	Class I Division 2 Groups A, B, C and D	T3C	T3A
	Class II Division 2 Groups F and G; Class III	T5	T5
	Class I Division 2 Groups A, B, C and D		T4A
No heads	Class II Division 2 Groups F and G; Class III		T6

Unit rating chart

Series	Battery capacity in watts			
	90 minutes	2 Hrs	3 Hrs	4 Hrs
SPH12G3	30	20	15	10
SPH12G6	60	40	30	20
SPH12N4	40	36	24	18
SPH24N9	90	72	48	36

Note: the cold-weather option is only rated for 90 minutes.

Remote test control (included with unit)

Standard infrared remote test control tester included with all models: allow to test the equipment without need to climb a ladder. Functional up to 30 ft distance. Universal, one Remote Test Control can test all units on the job.



Ordering format

Series	Battery and Capacity	# of heads	LED heads	Diagnostics	Option	Approval
SPH12	High Temperature Lead-Calcium G3= 12V-30W, High temperature Lead-Calcium battery, Temperature= 32°F to 122°F (0...50°C)	0= No head 1= One head 2= Two heads	L15= 12-24V, 15W (1300 Lumens)	ID= Improved Diagnostics, audible ¹ IDNA= Improved Diagnostics, non-audible ¹	CW4= Cold-weather -40°F (-40°C) ¹ T3= Time delay 15 minutes RFI= Radio frequency interference filter	-CEC= CEC Title 20 for California ²
	SPH12	Nickel-Cadmium N4= 12V-40W, Nickel-Cadmium battery, Temperature= 50°F to 104°F (10...40°C)		NEX= Nexus® Wired (contact your sales representative) ¹ NEXRF= Nexus® Wireless (contact your sales representative) ¹		
SPH24	Nickel-Cadmium N9= 24V-90W, Nickel-Cadmium battery, Temperature= 50°F to 104°F (10...40°C)			NID= No Improved Diagnostics, audible ¹		

Example: SPH12N402L15ID

¹ Minimum load required: 20% of load capacity
² Available with lead-calcium models only