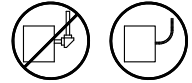


NEW YORK APPROVED BATTERY UNIT

Use Flexible Conduit Only





WARNING:
Risk of Shock.
Disconnect Power before Installation.



IMPORTANT SAFEGUARDS

When using electrical equipment, basic safety precautions should always be followed including the following:

READ AND FOLLOW ALL SAFETY INSTRUCTIONS

1. All servicing should be performed by qualified service personnel.
2. All unused wires must be insulated to prevent shorting.
3. Do not use outdoors.
4. Do not let power supply cords touch hot surfaces.
5. Do not mount near gas or electric heaters.
6. Use caution when handling batteries.
7. Avoid possible shorting.
8. Equipment should be mounted in locations and at heights where it will not readily be subjected to tampering by unauthorized personnel.
9. The use of accessory equipment not recommended by the manufacturer may cause an unsafe condition.
10. Do not use this equipment for other than intended use.
11. Allow battery to charge for 24 hours before first use.

SAVE THESE INSTRUCTIONS

Installation Instructions

i IMPORTANT: Install product no higher than the maximum mounting height of 10 feet from the floor.

1. Turn off AC power.
2. Route AC circuit of rated voltage into the junction box and leave 6" wire length.
3. To remove the cover: unscrew the screws located on the each side of the cover (see figure 2).
4. Knock out the proper hole pattern in the back plate to mount to a standard junction box. Place a support on either side of the knockout to be removed and then knock out with a screwdriver.
5. Feed AC supply leads in through the center knockout.
6. Mount the unit securely to the junction box using the junction box screws.
7. Our system can accept input voltages of 120 VAC or 277 VAC. Therefore, connect the black (120 VAC) or orange (277 VAC) and white (common) leads to the building utility. Connect the green ground wire to the service ground (see figure 5).

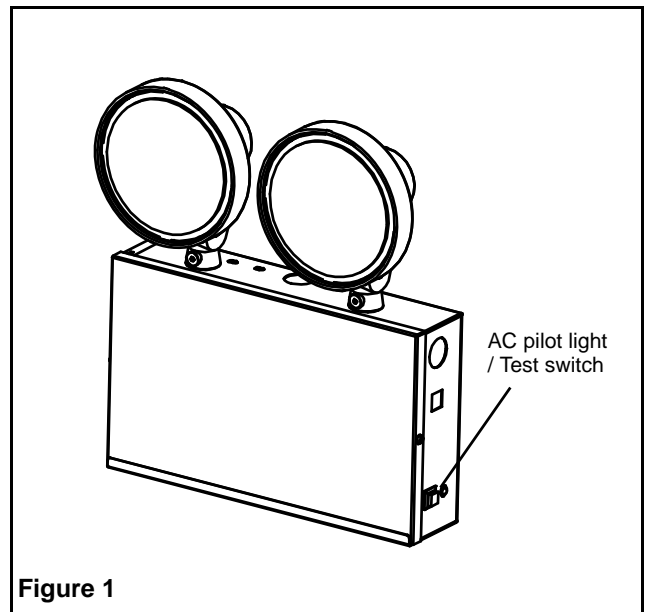


Figure 1

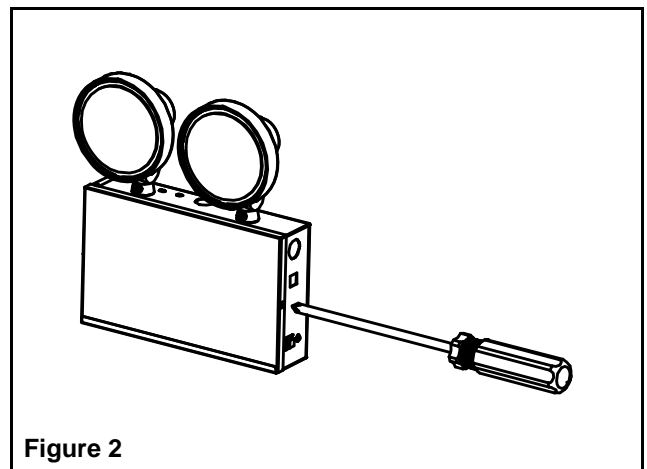


Figure 2

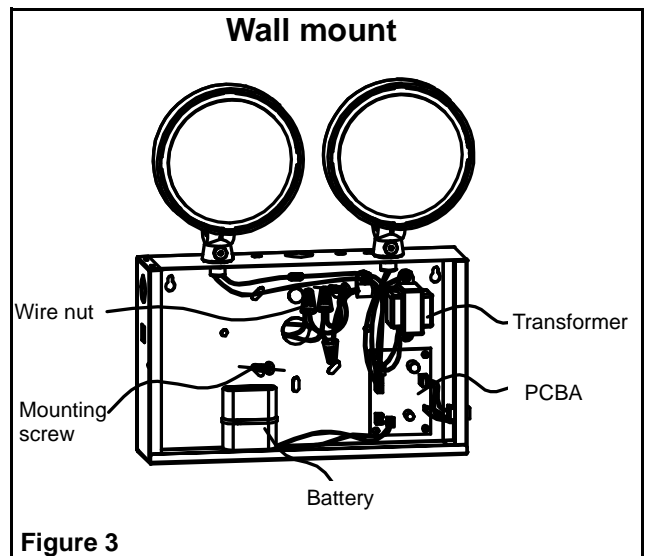


Figure 3

8. Feed excess wire into the junction box.
9. Connect battery connector to the PCBA (see figure 4).
10. Re-install the cover.
11. Turn on AC supply and press test switch, LED lamps will turn on.
12. Adjust lamp heads to desired position.

Manual Testing (self-powered models)

Press test switch, the pilot light will turn off and LED heads will turn on. Release test switch, pilot light will turn on and the LED heads will turn off.

Maintenance

None required. Unit should be tested monthly in accordance with safety codes and local codes. If AC supply to the unit is to be disconnected for 2 months or more, the battery must be disconnected.

Trouble shooting guide

If LED heads or LED indicator does not illuminate, check the following:

1. Check AC supply.
2. Unit has shorted or battery is not connected.
3. Battery has discharged. Connect unit to AC supply and allow battery to charge for 24 hours before re-testing.
4. If above trouble shooting hints do not solve your problem, contact factory for assistance.

Warranty: For the complete warranty information, please refer to the landing page of our website (<http://www.lightalarms.com>).

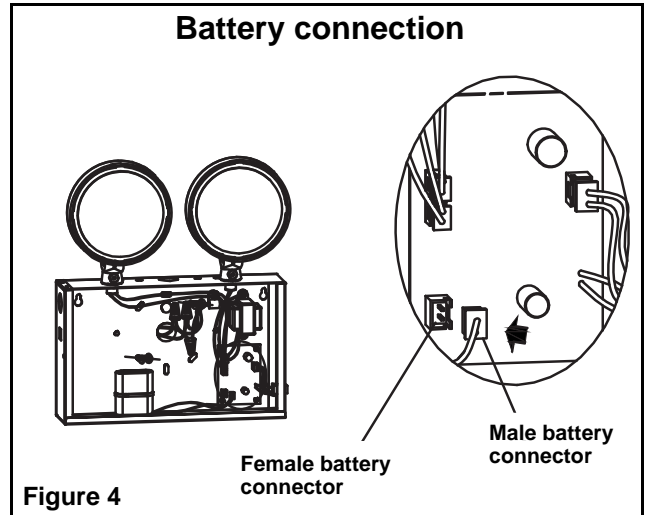


Figure 4

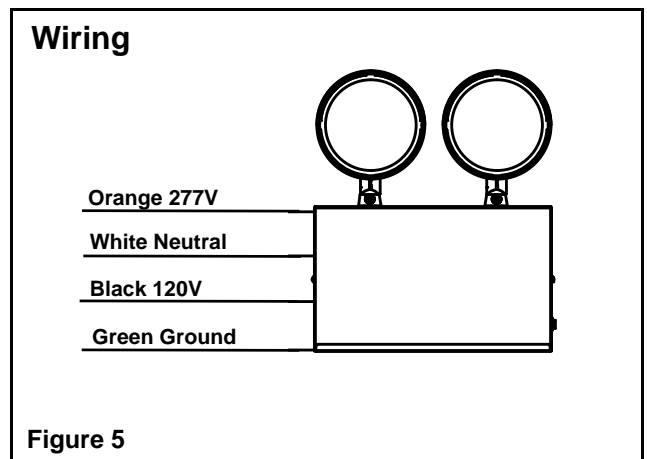
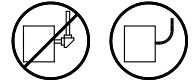


Figure 5

NEW YORK APPROVED BATTERY UNIT

Use Flexible Conduit Only





WARNING:
Risk of Shock.
Disconnect Power before Installation.



IMPORTANT SAFEGUARDS

When using electrical equipment, basic safety precautions should always be followed including the following:

READ AND FOLLOW ALL SAFETY INSTRUCTIONS

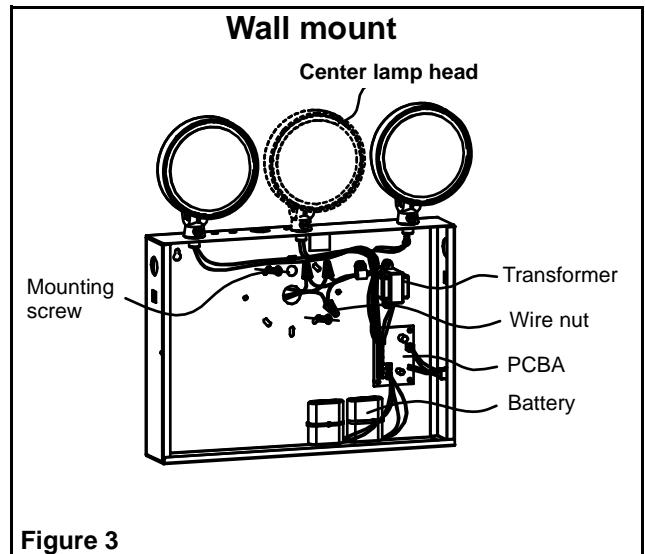
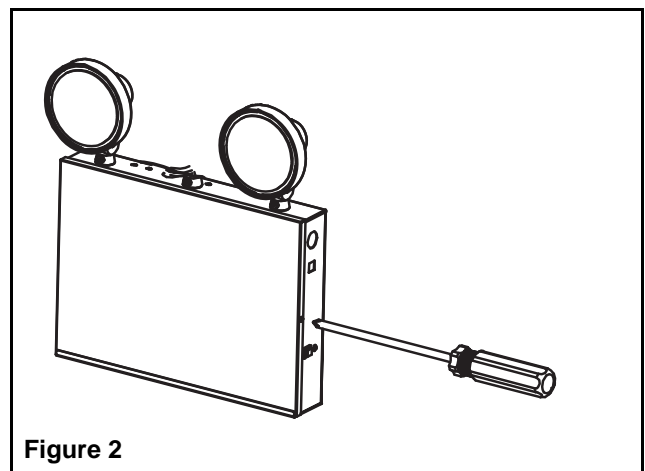
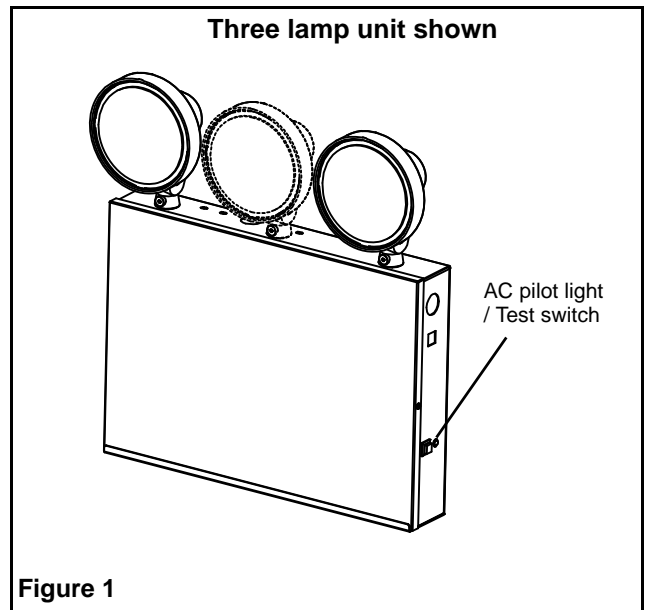
1. All servicing should be performed by qualified service personnel.
2. Do not use outdoors.
3. Do not let power supply cords touch hot surfaces.
4. Do not mount near gas or electric heaters.
5. Use caution when handling batteries. Avoid possible shorting.
6. Equipment should be mounted in locations and at heights where it will not readily be subjected to tampering by unauthorized personnel.
7. The use of accessory equipment not recommended by the manufacturer may cause an unsafe condition.
8. Do not use this equipment for other than intended use.
9. Allow battery to charge for 24 hours before first use.

SAVE THESE INSTRUCTIONS


Installation Instructions

i IMPORTANT: Install product no higher than the maximum mounting height of 10 feet from the floor.

1. Turn off AC power.
2. Route AC circuit of rated voltage into the junction box and leave 6" wire length.
3. To remove the cover: unscrew the screws located on the each side of the cover (see figure 2).
4. For three lamp head installation: knocking out the middle square knockout on the top and install the third lamp head. Connect lamp wires to PCBA (see figure 4).
5. Knock out the proper hole pattern in the back plate to mount to a standard junction box. Place a support on either side of the knockout to be removed and then knock out with a screwdriver.
6. Feed AC supply leads in through the center knockout.
7. Mount the unit securely to the junction box using the junction box screws.



8. Our system can accept input voltages of 120 VAC or 277 VAC. Therefore, connect the black (120 VAC) or orange (277 VAC) and white (common) leads to the building utility. Connect the green ground wire to the service ground (see figure 5).

 Unused primary wire must be insulated to prevent shorting.

9. Feed excess wire into the junction box.
10. Connect battery connector to the PCBA (see figure 4).
11. Re-install the cover.
12. Turn on AC supply and press test switch, LED lamps will turn on.
13. Adjust lamp heads to desired position.

Manual Testing (self-powered models)

Press test switch, the pilot light will turn off and LED heads will turn on. Release test switch, pilot light will turn on and the LED heads will turn off.

Maintenance

None required. Unit should be tested monthly in accordance with safety codes and local codes. If AC supply to the unit is to be disconnected for 2 months or more, the battery must be disconnected.

Trouble shooting guide

If LED heads or LED indicator does not illuminate, check the following:

1. Check AC supply.
2. Unit has shorted or battery is not connected.
3. Battery has discharged. Connect unit to AC supply and allow battery to charge for 24 hours before re-testing.
4. If above trouble shooting hints do not solve your problem, contact factory for assistance.

Warranty: For the complete warranty information, please refer to the landing page of our website (<http://www.lightalarms.com>).

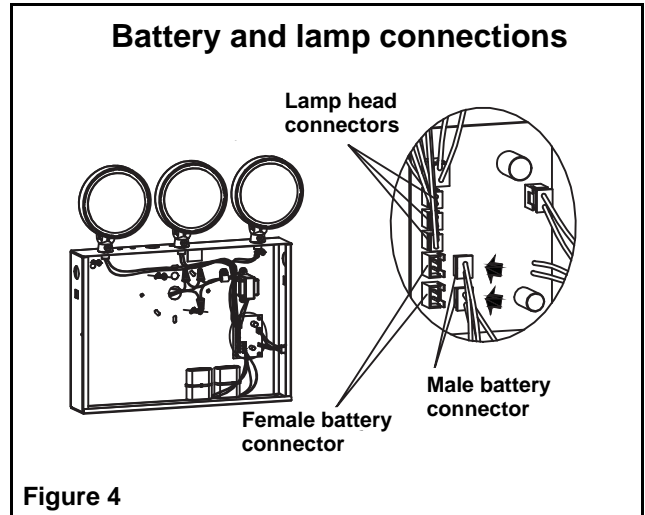


Figure 4

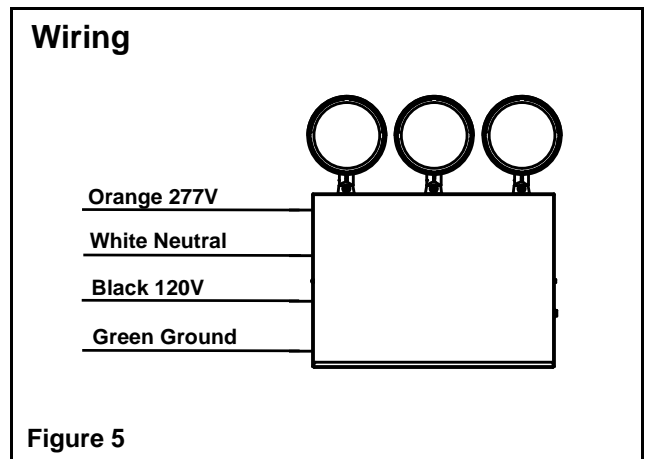


Figure 5