

Square Head LED LCAC-2SQLED Series

LED Exit and heads thermoplastic combination unit



Construction

- Frame, faceplate, backplate and canopy are made of thermoplastic
- 6 inch exit lettering legend, available in red or green

Mounting

- Surface mount
- Universal model includes (2) faceplates, (1) backplate and (1) canopy
- Canopy included for ceiling mount applications / end mount
- Backplate features universal knockouts for a standard 4 inch junction box used in wall mount applications

Finishes

Finished in mist-white

Chevrons

Faceplate includes two field-selectable, snap-in/out chevron indicators

Power consumption chart

AC input
120/277VAC, 60Hz, 0.048A

Accessories (Order as a separate item)

Description	Product code
Wire Guard (heads in any position) wall mount	WG10-L
Replacement battery LCAC	022434-L
Replacement battery LCAC-2SQLEDR & LCAC-2SQLEDRID	022435-L

Exit legend LEDs

Red or green long-life Light Emitting Diodes (LED) illumination

Remote Capacity/combination units

LCAC-2SQLEDR and LCAC-2SQLEDRID feature a 3.6V Ni-Cd battery with two 1W LED heads attached as well as 3W of remote capacity for ELF612D/LED or LCARDSQLED

Lamp head source

- 3.6V-1W LED head
- Lamp heads are fully adjustable to top or side with no tools required
- Total 200 lumens, LED CCT 6000K

Self-Diagnostics

Combination models available with or without Improved Diagnostics

Approvals

- Listed to UL 924 Standards
- UL listed for Damp location 50°F to 104°F (10°C to 40°C)
- Meets NFPA101 (Life Safety Code), NFPA 70 NEC

Warranty (subject to proper installation and maintenance)

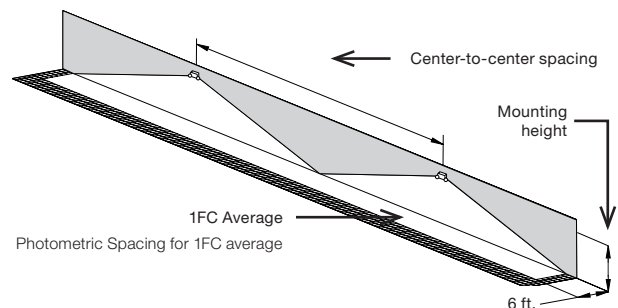
Three-year full warranty

Detailed warranty terms located on [page 182](#) or online at: www.lightalarms.com



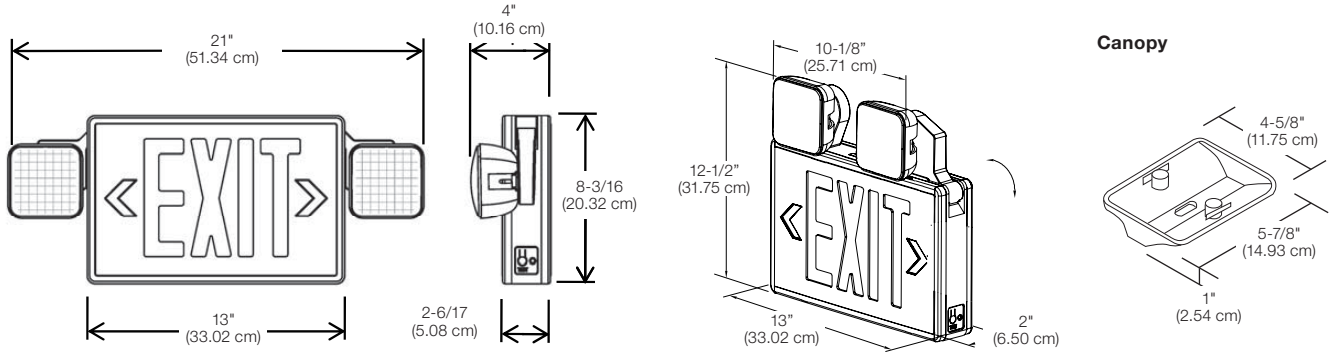
Photometric performance

Spacing center-to-center (feet)	
7 feet mounting height	15 feet mounting height
13'	4'



Dimensions (Dimensions are approximate and subject to change):

LCAC-SQLED Combination Series Combination Unit Includes (2) heads only, dimension shown for top mount or side mount applications



Ordering format

Series	Legend color	Head style/ lamp	Options
LCAC	R= Red G= Green	2SQLED= 2 Square 1W each LED heads	Blank= No option R= Remote capacity ¹ RID= Remote capacity and Improved Diagnostics ¹
Example: LCACR2SQLEDRID			

¹To be used with the LCARDSQLED or ELF612/LED remote only.

LCARDSQLED Series

Thermoplastic square LED indoor remote heads



Housing

- Thermoplastic dual head remote
- Wall or ceiling mount

Lamp information

- LED 3.6V, 2W total
- 6000K LED color temperature

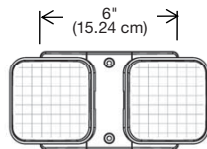
Approvals

- Damp location listed
- UL924 Listed

Warranty (subject to proper installation and maintenance)

Three-year full warranty

Dimensions



Ordering format – LCARDSQLED Series

Series	Head style / Lamp type	Options
LCAR	D= Double	SQLED= Thermoplastic square LED head

Example: LCARDSQLED

ELF612D/LED Series

Thermoplastic square LED outdoor remote heads



Housing

- ELF612D/LED remote series is multi-volt 3.6, 6 or 12V, 3W total
- Thermoplastic housing and aluminum canopy with fully adjustable LED heads
- Suitable for outdoor application
- Suitable for wet location applications
- Wall or ceiling mount
- Available only in gray double head configuration

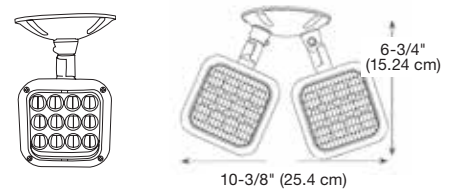
Approvals

- UL924 Listed

Warranty (subject to proper installation and maintenance)

Three-year full warranty

Dimensions



Ordering format – ELF612D/LED Series

Series	Options
ELF612D= Double ELF612= Single	LED= Thermoplastic square LED head

Example: ELF612D/LED