

SPRL Series Remote Fixture

NEMA-4X, Severe-performance remote for indoor or outdoor applications



Housing

- Lightweight polycarbonate gray housing with captive screws
- NEMA-4X rated
- All external fasteners and hardware are constructed of stainless steel
- Die-cast aluminum LED heads

Mounting

- Simple and easy to install on walls, poles, columns, struts also on vertical
- Pole or column installation bracket sold separately (order catalog number: PMK1-E)
- ½ NPT conduit entry on top or side

Performance

- 6W, 10W and 15W high efficacy LED emergency heads outperform traditional 50W MR16-IR halogen
- Innovative head design: four-LED and dual-driver provide illumination even in case of unexpected component failure

Approvals

- UL924 Listed
- Can be installed in wide temperature range: -40°F to 131°F (-40°C to 55°C)

Warranty (subject to proper installation and maintenance)

Unit: five-year limited warranty

Detailed warranty terms located on **page 182** or online at: www.lightalarms.com



REMOTES & HEADS

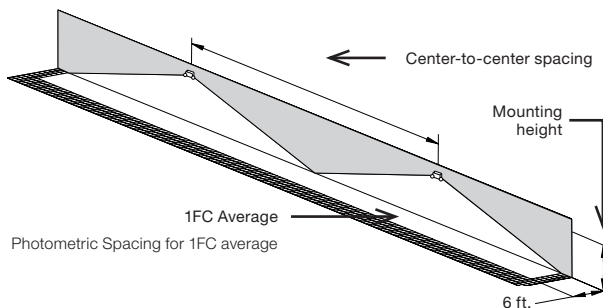
Photometry performance

Capable of being installed indoors or outdoors, the SPRL Series LED emergency lights deliver a stable and consistent illumination on the path of egress for a wide range of mounting heights. Depending on the required illumination levels need for the application, choose between three level of lumen output using a 6W, 10W or 15W head.

LED Head	Power	Total lumens	Outperform spacing of MR16 halogen lamp types
L6	6W	565	37W PAR36, MR16 Halogen (700 Lumens)
L10	10W	1000	50W PAR36, MR16 Halogen (950 Lumens)
L15	15W	1300	50W MR16-IR Halogen (1550 Lumens)

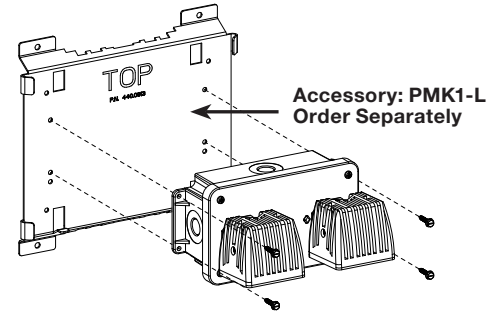
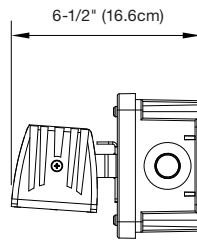
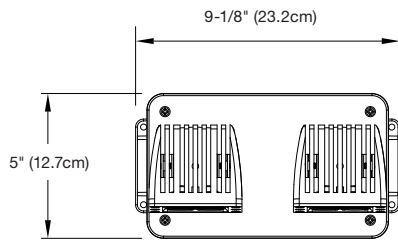
Spacing center-to-center (feet)

Mounting height	Lamp L6/6W, 565Lm	Lamp L10/10W, 1000Lm	Lamp L15/15W, 1300Lm
10 ft	80	110	140
15 ft	70	105	135
20 ft	60	100	130
25 ft	50	95	120



Industrial environment: Wall mounted equipment, reflectances: 10/10/10; 6-ft wide illumination path. Illumination as per NFPA101; Average: 1fc; Min: 0.1fc; Max/min < 40:1

Dimensions (Dimensions are approximate and subject to change)



Warning: The mounting column must be anchored at both ends: floor and ceiling.

Ordering format

Series	Number of heads	LED head
SPRL = Severe performance remote lightweight	Blank = Single head D = Double head	L6 = 12-24V – 6W (565 Lumens) L10 = 12-24V – 10W (1000 Lumens) L15 = 12-24V – 15W (1300 Lumens)

Example: SPRLDL6