

# ELF650 Nema-4X Die-cast remote heads

**WARNING:** Risk of Shock. Disconnect Power before Installation.

**ATTENTION:** All lens and junction box screws must be tightened to a torque of 15inlb.

## IMPORTANT SAFEGUARDS

When using electrical equipment, basic safety precautions should always be followed including the following:

## READ AND FOLLOW ALL SAFETY INSTRUCTIONS

1. All servicing should be performed by qualified service personnel.
2. All unused wires must be insulated to prevent shorting.
3. Do not let power supply cords touch hot surfaces.
4. Do not mount near gas or electric heaters.
5. Equipment should be mounted in locations and at heights where it will not readily be subjected to tampering by unauthorized personnel.
6. The use of accessory equipment not recommended by the manufacturer may cause an unsafe condition.
7. Do not use this equipment for other than its intended use.
8. Units to be installed only as per configuration described in this instruction manual.

## SAVE THESE INSTRUCTIONS

### Installation instructions

**IMPORTANT:** Install fixture/lamp type combination no higher than the maximum mounting heights as stipulated in the "Lamp Mounting Height Cross-reference Table" (P/N 750.1924). Refer to "Technical Information" section of our website.

1. Turn off power.
2. Remove the lens.
3. Install the gasket (8) on the back plate.
4. Connect the lamp wires to the emergency circuit using wire nuts. For double lamp assembly fixtures, lamps should be connected in parallel, not in series. Refer to lamp voltage indicated on the unit.
5. Fasten the back plate with 4 screws to either a nema 4X rated junction box or directly to a recessed junction box making sure the unit is properly sealed all around (gasket will not guarantee an adequate seal on all surfaces).

**IMPORTANT:** The junction box must be Nema 4X rated for the unit to retain a Nema 4X rating. Plugs must be properly sealed with a sealing compound.

6. Adjust the lamp assemblies:
  - Rotation: hold the lamp assembly and turn it to either side.
  - Tilting: hold the lamp assembly and tilt it up or down.
7. Secure the lens to the back plate with the screws provided.

The flat head screws (provided) must be installed to prevent the accumulation of debris, as required by NSF.

8. Turn on power and check the operation of your lighting fixture.

### Lamps replacement

Refer to the relamping label located near the lamp holder or the recommended maximum wattage. Do not exceed recommended wattage.

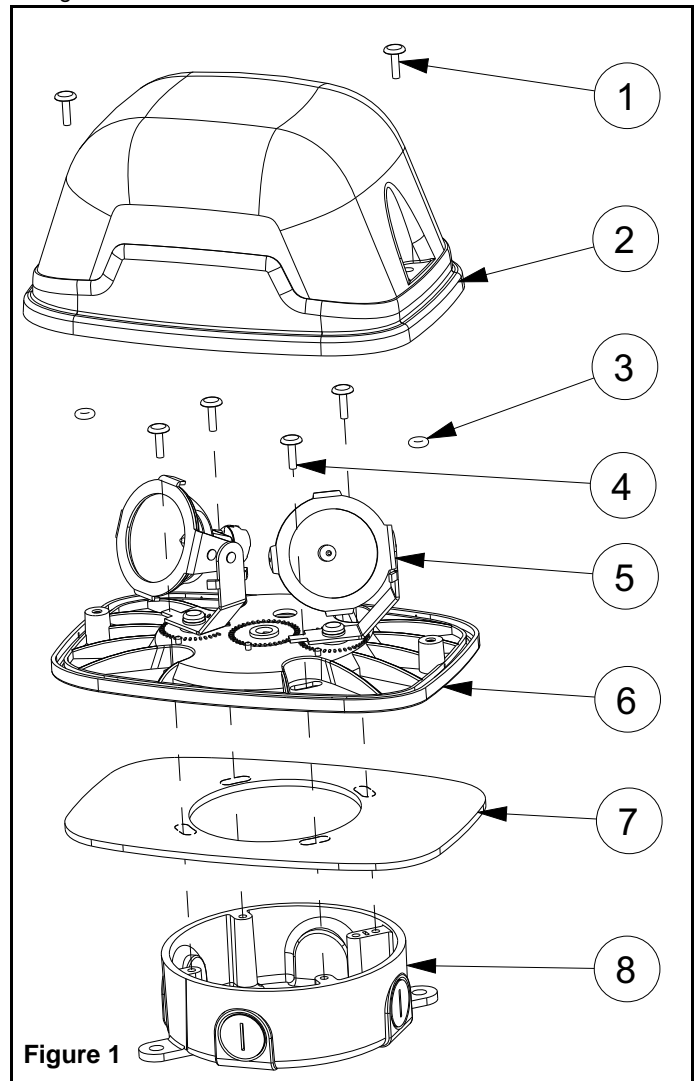


Figure 1

### Parts List

- |   |   |
|---|---|
| 1. Lens screw (2)                                 | 5. Lamp assembly (1 or 2)                     |
| 2. Lens   | 6. Back plate                                 |
| 3. O-ring (2)                                     | 7. Gasket                                     |
| 4. Junction box screw (4 required) (not provided) | 8. Weather proof junction box (not provided). |