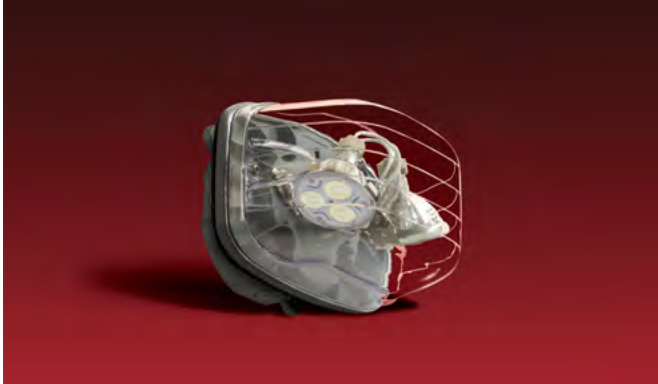


Remote Fixture ELF651 Series

Class I division 2, groups A, B, C and D certified remote fixture



Description

- Available with single or double lamp heads
- Die-cast aluminum back plate with gasket
- Vandal-resistant UV stabilized polycarbonate lamp cover
- Includes tamper-proof screws and bit
- Universal J-box mounting
- Extreme operational temperature range: -40°F to +104°F (-40°C to +40°C)

Mounting

- Surface mount
- Conduit entry ½" NPT

Approval

- CSA-US (To UL 924 standards)
- Evaluated to the UL 844 Standard for Class I Division 2, Groups A, B, C and D

Warranty (subject to proper installation and maintenance)

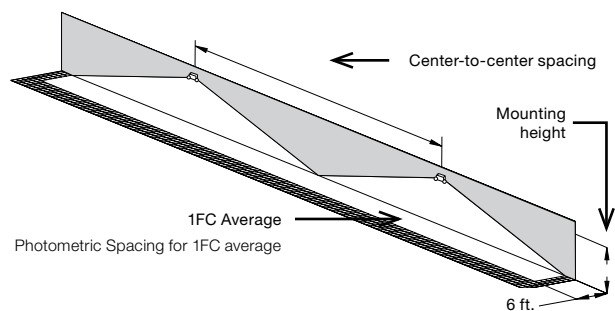
Unit: five-year limited warranty

Detailed warranty terms located on [page 197](#) or online at: www.lightalarms.com

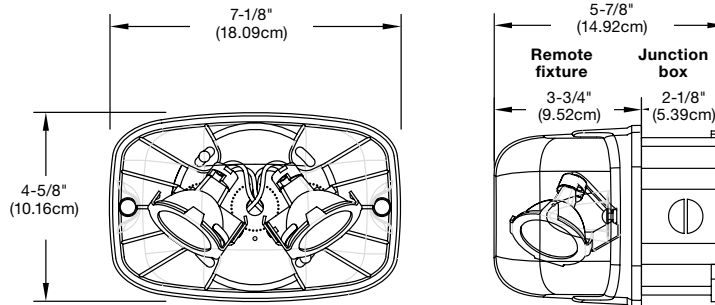


Photometry performance

Lamp	Spacing center-to-center (feet)	
	7 feet mounting height	15 feet mounting height
LD1	39'	34'
LD2	74'	57'
LD7	49'	39'
LD9	68'	54'
LD10	89'	80'
LD13	51'	39'
LD26	43'	39'



Dimensions (Dimensions are approximate and subject to change)



Lamp selection chart

MR16 LED lamps						
Lamp suffix	Voltage	Wattage	Lumens	Replacement number	Temperature code	Maximum temperature
LD1	6	4	200	580.0097-L	T4A	248°F/ 120°C
LD2	6	5	415	580.0122-L	T4A	248°F/ 120°C
LD7	12	4	220	580.0093-L	T5	212°F/ 100°C
LD9	12	5	340	580.0104-L	T4A	248°F/ 120°C
LD10	12	6	540	580.0106-L	T4	275°F/ 135°C
LD13	24	4	220	580.0098-L	T5	212°F/ 100°C
LD26	120	4	230	580.0113-L	T4A	248°F/ 120°C

Ordering format

Series	Lamp suffix	Color	Voltage
ELF651= Single lamp remote fixture	/ _____ ¹	-G= Gray	6= 6 VDC
ELF651D= Double lamp remote fixture			12= 12 VDC
			24= 24 VDC
			120= 120 VAC/VDC

Example: ELF651/LD1-G6

¹ Choose from lamp selection chart