

# GR-HR03 New Construction Recessed Emergency lighting 6 to 24 Volt GU5.3 lamp (NOT FOR USE IN INSULATED CEILINGS)



**WARNING:**  
Risk of Electrical Shock.  
Disconnect Power before Installation.



## IMPORTANT SAFEGUARDS

When using electrical equipment, basic safety precautions should always be followed including the following:

## READ AND FOLLOW ALL SAFETY INSTRUCTIONS

1. All servicing should be performed by qualified service personnel.
2. All unused wires must be insulated to prevent shorting.
3. Do not use outdoors.
4. Do not let power supply cords touch hot surfaces.
5. Do not mount near gas or electric heaters.
6. Equipment should be mounted in locations and at heights where it will not readily be subjected to tampering by unauthorized personnel.
7. The use of accessory equipment not recommended by the manufacturer may cause an unsafe condition.
8. Caution: If optional Halogen cycle lamp(s), symbol (H—), are used in this equipment, to avoid shattering: do not operate lamp in excess of rated voltage, protect lamp against abrasion and scratches and against liquids when lamp is operating, dispose of lamp with care.
9. Halogen cycle lamps operate at high temperatures. Do not store or place flammable materials near lamp.
10. Do not use this equipment for other than intended use.
11. Unit to be installed only as per configuration described in this instruction manual.

## SAVE THESE INSTRUCTIONS

### Installation Instructions

**i IMPORTANT:** Install fixture/lamp type combination no higher than the maximum mounting heights as stipulated in the "Lamp Mounting Height Crossreference Table" (P/N 750.1924). Refer to "Technical Information" section of our website.

1. Turn off AC power.
2. Follow the appropriate mounting procedure according to the type of installation below.

#### New sheet rock construction

- a. Measure distance from walls and mark position of housing to be installed between joists (see fig. 1).
- b. Extend hanger bars and level to lower edge of joists.
- c. Hammer nailing tabs into joists.

#### Suspended ceiling

- a. Remove the four hanger bar nails.
- b. Place mounting bars on top of the t-bar grid members.
3. Carefully measure the position of the light. Cut a 4 1/4" diameter hole in desired location in the sheet rock or ceiling panel (outer lip of box may serve as a template).
4. Remove the junction box cover by releasing the spring. Open the appropriate knockout for the supply wires on the junction box (see fig. 1). Supply wire insulation must be rated for at least 90°C.
5. Insert electrical supply cable through knock-out in the junction box. Use wire nuts to connect the wires as follows: green wire to the ground, one of the supply wires to one of the white wires of the fixture and the other supply wire to the other white wire of the fixture.
6. Place all wires and connections back into the junction box and replace cover.
7. Place the sheet rock or ceiling panel into position.
8. Adjust the height of the can, if needed, by loosening the screws inside the can and align the lip to the sheet rock or ceiling panel (see fig. 2).

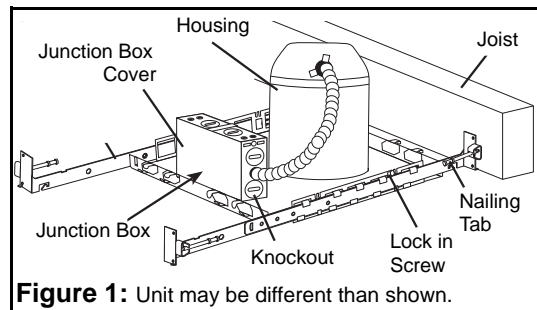


Figure 1: Unit may be different than shown.

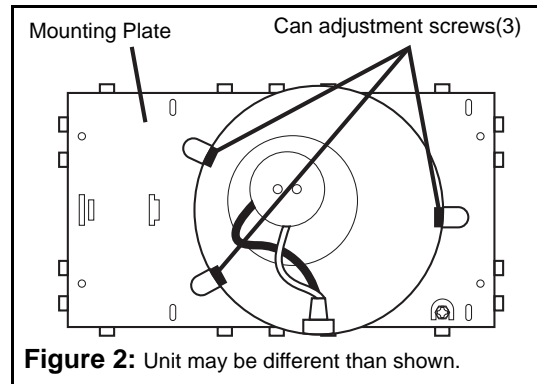


Figure 2: Unit may be different than shown.

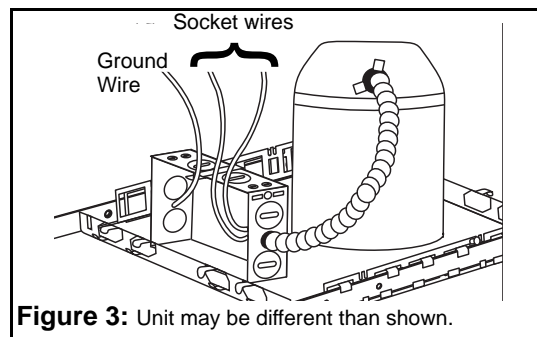


Figure 3: Unit may be different than shown.

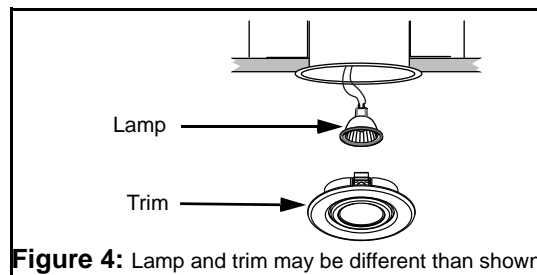


Figure 4: Lamp and trim may be different than shown

9. Tighten the adjustment screws to keep the can from moving back when inserting the trim.
10. Install the lamp and trim according to the instructions provided with the trim plate (see fig. 4) (refer to label inside the can for maximum wattage).
11. Energize circuit.

#### Maintenance

None required. The unit should be tested monthly in accordance with local codes and the life safety code.  
**Warranty:** For the complete warranty information, please refer to the landing page of our website (<http://www.lightalarms.com>).

# GR-HR05 New Construction Recessed Emergency lighting 120 Volt GU10 lamp (NOT FOR USE IN INSULATED CEILINGS)



**WARNING:**  
Risk of Electrical Shock.  
Disconnect Power before Installation.



## IMPORTANT SAFEGUARDS

When using electrical equipment, basic safety precautions should always be followed including the following:

## READ AND FOLLOW ALL SAFETY INSTRUCTIONS

1. All servicing should be performed by qualified service personnel.
2. All unused wires must be insulated to prevent shorting.
3. Do not use outdoors.
4. Do not let power supply cords touch hot surfaces.
5. Do not mount near gas or electric heaters.
6. Equipment should be mounted in locations and at heights where it will not readily be subjected to tampering by unauthorized personnel.
7. The use of accessory equipment not recommended by the manufacturer may cause an unsafe condition.
8. Caution: If optional Halogen cycle lamp(s), symbol (H—), are used in this equipment, to avoid shattering: do not operate lamp in excess of rated voltage, protect lamp against abrasion and scratches and against liquids when lamp is operating, dispose of lamp with care.
9. Halogen cycle lamps operate at high temperatures. Do not store or place flammable materials near lamp.
10. Do not use this equipment for other than intended use.
11. Unit to be installed only as per configuration described in this instruction manual.

## SAVE THESE INSTRUCTIONS

### Installation Instructions

**IMPORTANT:** Install fixture/lamp type combination no higher than the maximum mounting heights as stipulated in the "Lamp Mounting Height Crossreference Table" (P/N 750.1924). Refer to "Technical Information" section of our website.

1. Turn off AC power.
  2. Slide hanger bars into the folded tabs on the housing plate.
- Follow the appropriate mounting procedure according to the type of installation below.

#### New sheet rock construction (Figure 1)

- a. Measure distance from walls and mark position of housing to be installed between joists.
- b. Extend hanger bars and level to lower edge of joists.
- c. Hammer tack points(A) or screw(B) the mounting bar onto the joists.

#### Suspended ceiling (Figure 2)

- a. Place mounting bars on top of the t-bar grid members.
- b. Tight the U-shaped hooks with pliers.
3. Slide and align the plate into its final position and fold down and press the tabs to lock the plate onto the mounting bars (see fig. 2).
4. Carefully measure the position of the light. Cut a 4 1/4" diameter hole in desired location in the sheet rock or ceiling panel.
5. Remove the junction box cover by releasing the spring. Open the appropriate knockout for the supply wires on the junction box (see fig. 1). Supply wire insulation must be rated for at least 90°C.
6. Insert electrical supply cable through knock-out in the junction box. Use wire nuts to connect the wires as follows: green wire to the ground, black supply wires to the black wire and the white supply wire to the white wire of the fixture. Place all wiring and connections back into the junction box and replace cover.
7. Place the sheet rock or ceiling panel in position.

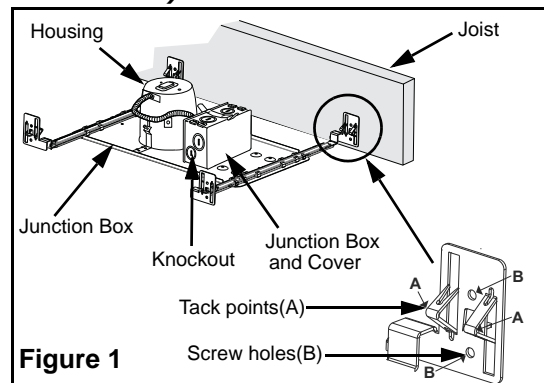


Figure 1

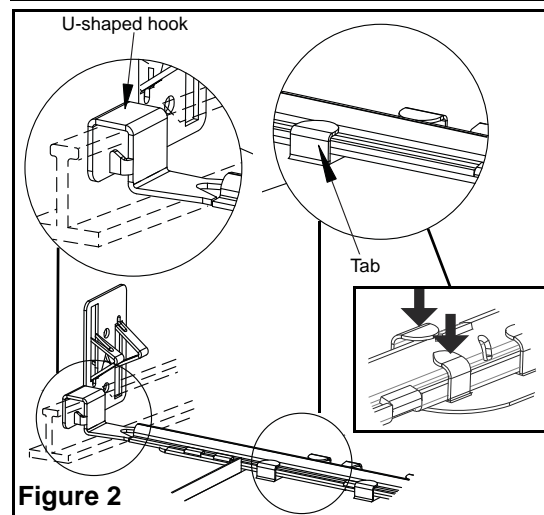


Figure 2

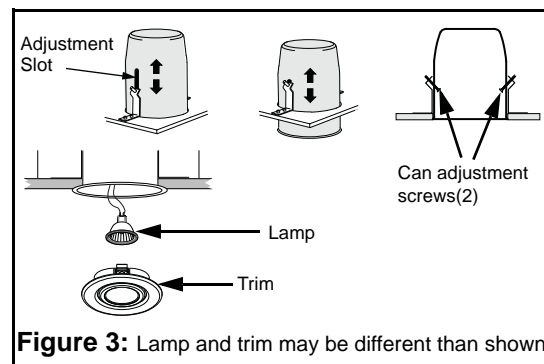


Figure 3: Lamp and trim may be different than shown

8. Adjust the height of the can, if needed, by loosening the screws inside the can and align the lip to the sheet rock or ceiling panel (see fig. 4).
9. Tighten the adjustment screws to keep the can from moving back when inserting the trim.
10. Install the lamp and trim according to the instructions provided with the trim plate (see fig. 4) (refer to label inside the can for maximum wattage).
11. Energize circuit.

### Maintenance

None required. The unit should be tested monthly in accordance with local codes and the life safety code.

**Warranty:** For the complete warranty information, please refer to the landing page of our website (<http://www.lightalarms.com>).

# GR-HR06 &07 New Construction Recessed Emergency lighting 6 to 24 Volt GU5.3 lamp for use in insulated ceilings



**WARNING:**  
Risk of Electrical Shock.  
Disconnect Power before Installation.



## IMPORTANT SAFEGUARDS

When using electrical equipment, basic safety precautions should always be followed including the following:

## READ AND FOLLOW ALL SAFETY INSTRUCTIONS

1. All servicing should be performed by qualified service personnel.
2. All unused wires must be insulated to prevent shorting.
3. Do not use outdoors.
4. Do not let power supply cords touch hot surfaces.
5. Do not mount near gas or electric heaters.
6. Equipment should be mounted in locations and at heights where it will not readily be subjected to tampering by unauthorized personnel.
7. The use of accessory equipment not recommended by the manufacturer may cause an unsafe condition.
8. Caution: If optional Halogen cycle lamp(s), symbol (H—), are used in this equipment, to avoid shattering: do not operate lamp in excess of rated voltage, protect lamp against abrasion and scratches and against liquids when lamp is operating, dispose of lamp with care.
9. Halogen cycle lamps operate at high temperatures. Do not store or place flammable materials near lamp.
10. Do not use this equipment for other than intended use.
11. Unit to be installed only as per configuration described in this instruction manual.

## SAVE THESE INSTRUCTIONS

### Installation Instructions

**i IMPORTANT:** Install fixture/lamp type combination no higher than the maximum mounting heights as stipulated in the "Lamp Mounting Height Crossreference Table" (P/N 750.1924). Refer to "Technical Information" section of our website.

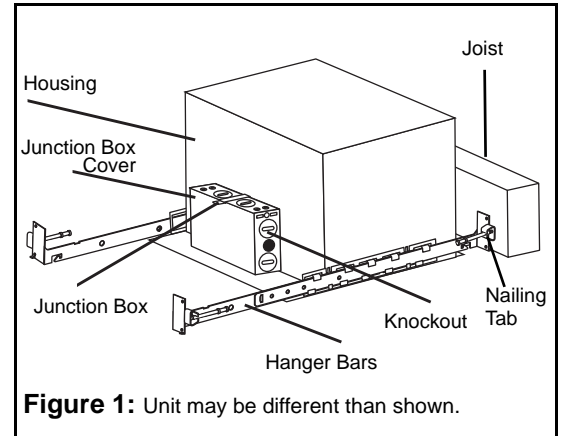
1. Turn off AC power.
2. Follow the appropriate mounting procedure according to the type of installation below.

#### New sheet rock construction

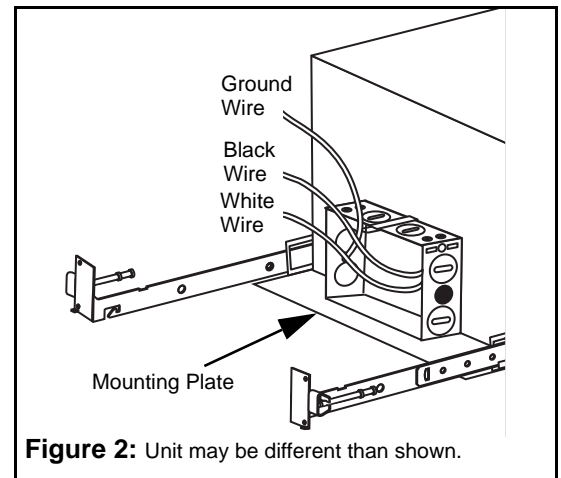
- a. Measure distance from walls and mark position of housing to be installed between joists (see fig. 1).
- b. Extend hanger bars and level to lower edge of joists.
- c. Hammer nailing tabs into joists.

#### Suspended ceiling

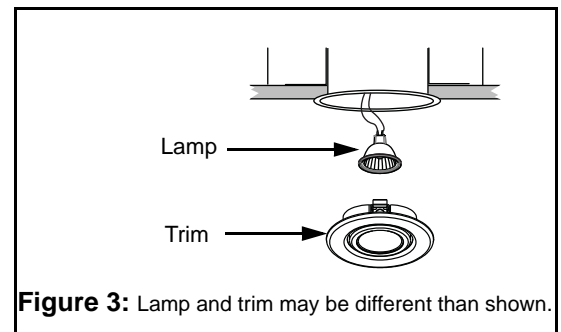
- a. Remove the four hanger bar nails.
  - b. Place assembly on top of T-bar grid members.
3. Carefully measure the position of the light. Cut a 4 1/4" diameter hole in desired location in the sheet rock or ceiling panel.
  4. Remove the junction box cover by releasing the spring. Open the appropriate knockout for the supply wires on the junction box (see fig. 1). Supply wire insulation must be rated for at least 90°C.
  5. Insert electrical supply cable through knockout in the junction box. Use wire nuts to connect the wires as follows: green wire to the ground, black supply wire to the black wire and the white supply wire to the white wire of the fixture.
  6. Place all wiring and connections back into the junction box and replace cover.
  7. Place the sheet rock or ceiling panel in position.



**Figure 1:** Unit may be different than shown.



**Figure 2:** Unit may be different than shown.



**Figure 3:** Lamp and trim may be different than shown.

8. Install the lamp and trim according to the instructions provided with the trim plate (see fig. 3) (refer to label inside the can for maximum wattage).
9. Energize circuit.

#### Maintenance

None required. The unit should be tested monthly in accordance with local codes and the life safety code.

**Warranty:** For the complete warranty information, please refer to the landing page of our website (<http://www.lightalarms.com>).

# GR-HR04 Recessed Emergency lighting for Renovation Housing

## 6 to 24 Volt GU5.3 lamp (NOT FOR USE IN INSULATED CEILINGS)



**WARNING:**  
Risk of Electrical Shock.  
Disconnect Power before Installation.



### IMPORTANT SAFEGUARDS

When using electrical equipment, basic safety precautions should always be followed including the following:

### READ AND FOLLOW ALL SAFETY INSTRUCTIONS

1. All servicing should be performed by qualified service personnel.
2. All unused wires must be insulated to prevent shorting.
3. Do not use outdoors.
4. Do not let power supply cords touch hot surfaces.
5. Do not mount near gas or electric heaters.
6. Equipment should be mounted in locations and at heights where it will not readily be subjected to tampering by unauthorized personnel.
7. The use of accessory equipment not recommended by the manufacturer may cause an unsafe condition.
8. Caution: If optional Halogen cycle lamp(s), symbol (H—), are used in this equipment, to avoid shattering: do not operate lamp in excess of rated voltage, protect lamp against abrasion and scratches and against liquids when lamp is operating, dispose of lamp with care.
9. Halogen cycle lamps operate at high temperatures. Do not store or place flammable materials near lamp.
10. Do not use this equipment for other than intended use.
11. Unit to be installed only as per configuration described in this instruction manual.

## SAVE THESE INSTRUCTIONS

### Installation Instructions

**i IMPORTANT:** Install fixture/lamp type combination no higher than the maximum mounting heights as stipulated in the "Lamp Mounting Height Crossreference Table" (P/N 750.1924). Refer to "Technical Information" section of our website.

1. Turn off AC power
2. Measure distance from walls and mark position of housing to be installed on the ceiling.
3. Using a keyhole saw, cut a 4 3/8" diameter hole in desired location in the ceiling.
4. Remove the junction box cover by releasing the spring. Open the appropriate knockout for the supply wires on the junction box (see fig. 1). Supply wire insulation must be rated for at least 90°C.
5. Insert electrical supply cable through knock-out in the junction box. Use wire nuts to connect the wires as follows: green wire to the ground, black supply wires to the black wire and the white supply wire to the white wire of the fixture. Place all wiring and connections back into the junction box and replace cover.
6. Insert housing (junction box first) into the ceiling.
7. Hold housing flush against ceiling. Push end of clip out and away from housing. Push clip up until lock-up tap is snapped into slot to clamp to ceiling. Repeat with other clips.
8. Install the lamp and trim according to the instructions provided with the trim plate (see fig. 3) (refer to label inside the can for maximum wattage).
9. Energize circuit.

### Maintenance

None required. The unit should be tested monthly in accordance with local codes and the life safety code.

**Warranty:** For the complete warranty information, please refer to the landing page of our website (<http://www.lightalarms.com>).

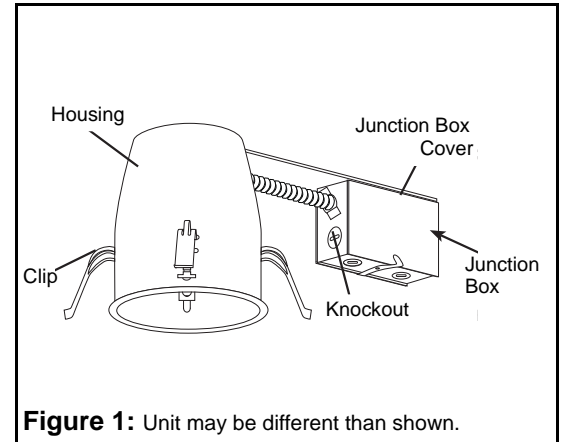


Figure 1: Unit may be different than shown.

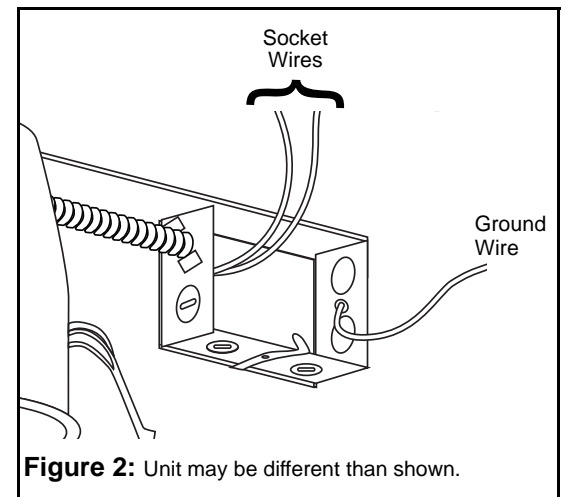


Figure 2: Unit may be different than shown.

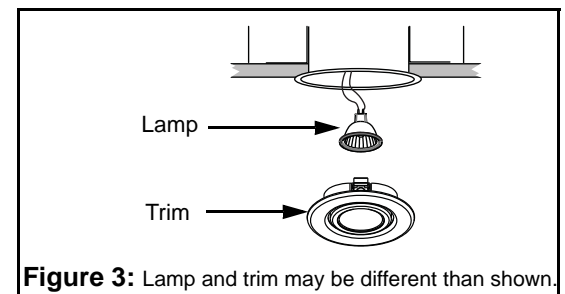
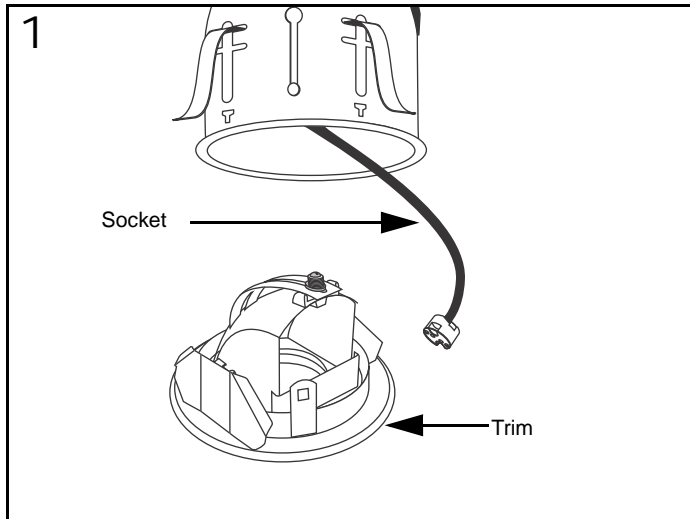


Figure 3: Lamp and trim may be different than shown.

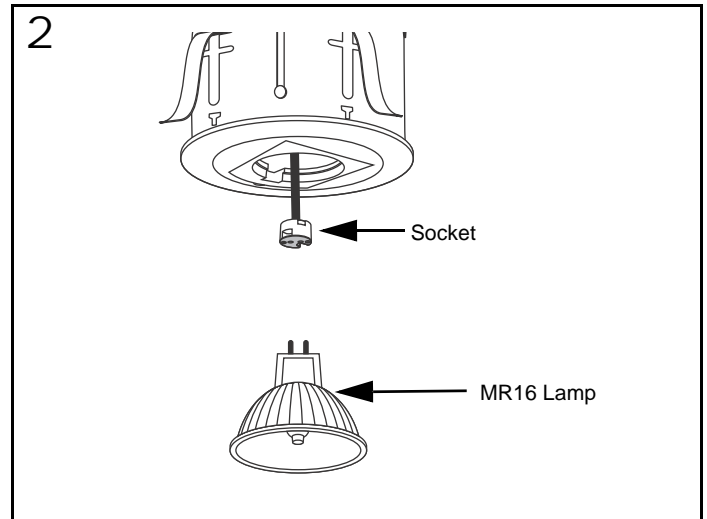
# Decorative Lighting Trim

**Warning:** only used MR16 lamp with attached glass shield.

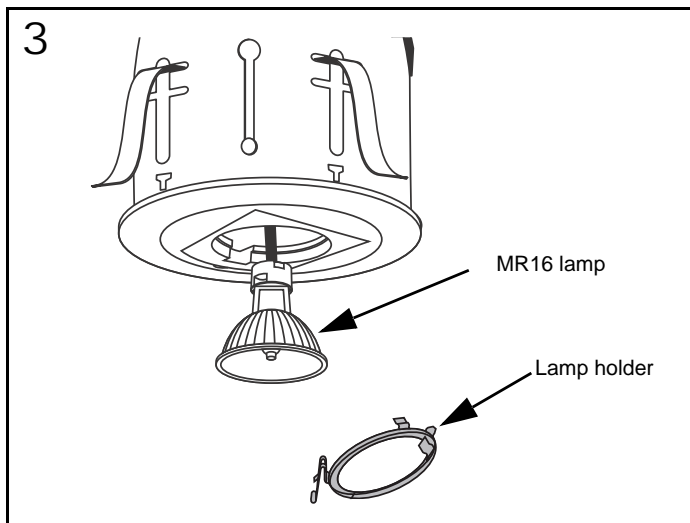
Important:  
Read all instructions before installing trim. Retain for future reference.



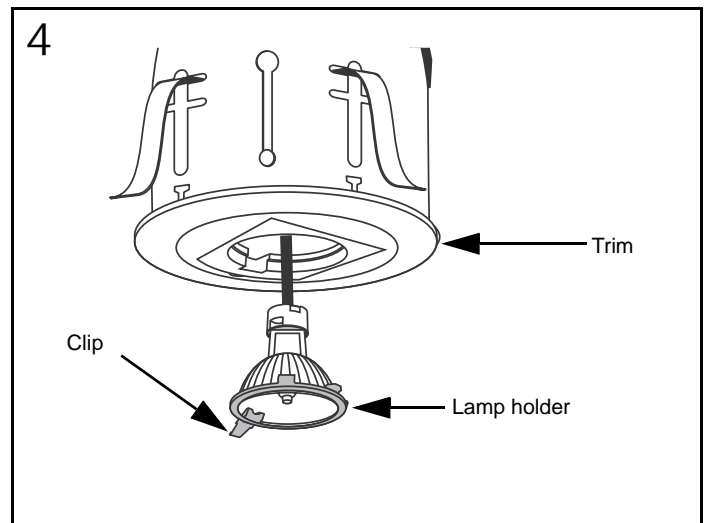
Pass the socket through the trim. Push trim into housing, allowing spring contact on trim to lock into place.



Pull socket through the trim and plug lamp into socket.



Insert the lamp into the lamp holder.



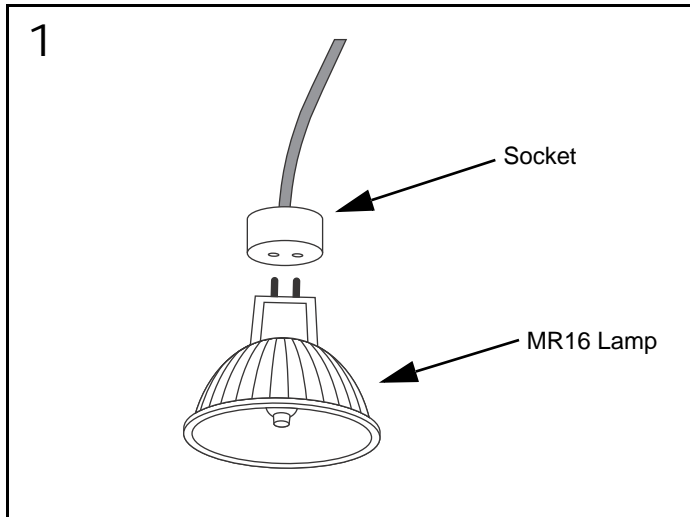
Slide lamp holder into trim opening and secure with clip.

SEE LABEL INSIDE OF HOUSING FOR  
PROPER LAMP STYLE AND WATTAGE.

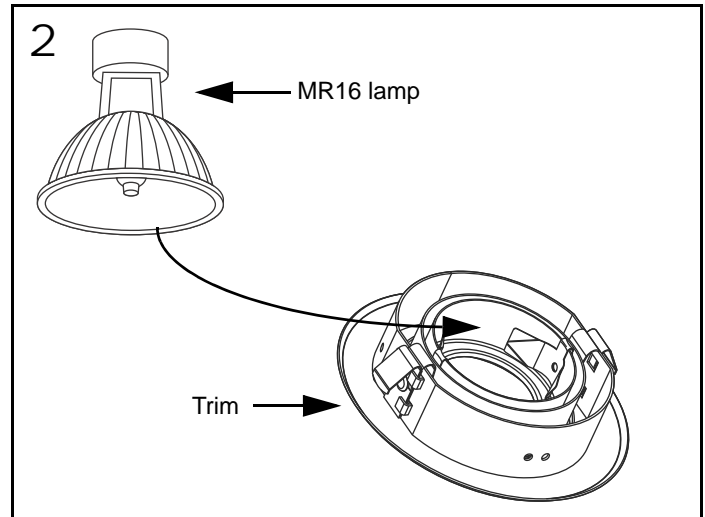
# Decorative Lighting Trim

**Warning:** only use covered MR16 lamp in this unit.

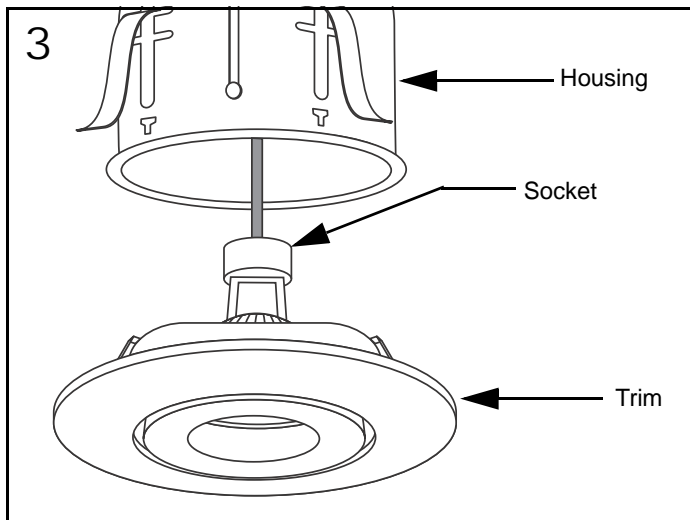
**Important:**  
Read all instructions before installing trim. Retain for future reference.



Plug the MR16 lamp into the socket.



Install the MR16 lamp into the trim.



Insert the trim into the housing.

SEE LABEL INSIDE OF HOUSING FOR  
PROPER LAMP STYLE AND WATTAGE.