

# Prestige Series - Edge-Lit LED Exit Sign

## Flat trim AC, AC/DC and Self-Powered models

### IMPORTANT SAFEGUARDS

When using electrical equipment, basic safety precautions should always be followed including the following:

## READ AND FOLLOW ALL SAFETY INSTRUCTIONS

1. Do not use outdoors.
2. Do not let power supply cords touch hot surfaces.
3. Do not mount near gas or electric heaters.
4. Equipment should be mounted in locations and at heights where it will not readily be subjected to tampering by unauthorized personnel.
5. The use of accessory equipment not recommended by the manufacturer may cause an unsafe condition.
6. Do not use this equipment for other than intended use.
7. All servicing should be performed by qualified service personnel.

## SAVE THESE INSTRUCTIONS

### Installation Instructions

Turn off AC power.

#### Installation

1. Remove the proper knockout in the back box for the entry of the AC wires.
2. Assemble the bar hangers (3) to the adjustment brackets (2) and the adjustment brackets to the back box (see figure 2). Install the bar hangers in the adjustment brackets. Mount the back box so that it is flush with the ceiling surface.
3. Route AC unswitched circuit of rated voltage into the back box and leave 6" of wire length.
4. Follow directions on the panel for chevron placement. (Note: for single sided units with clear background place chevron on back of panel).
5. Connect the incoming ground to the short ground wire provided in the back box.
6. **Electrical connection**
  - a. Connect the long ground lead from the back box to the ground lead from the trim plate assembly with the hardware provided.
  - b. Make the proper connections (see figure 3). Our system can accept input voltages of 120 VAC to 347 VAC. For regular models connect the purple (hot) and white (common) leads to the building utility (Figure 3).
  - c. AC/DC Models only:  
For DC portion: wire the red lead (+) to the positive DC input voltage and the blue lead (-) to the negative DC input voltage. Note: DC input voltage range is 6 volts to 24 volts.

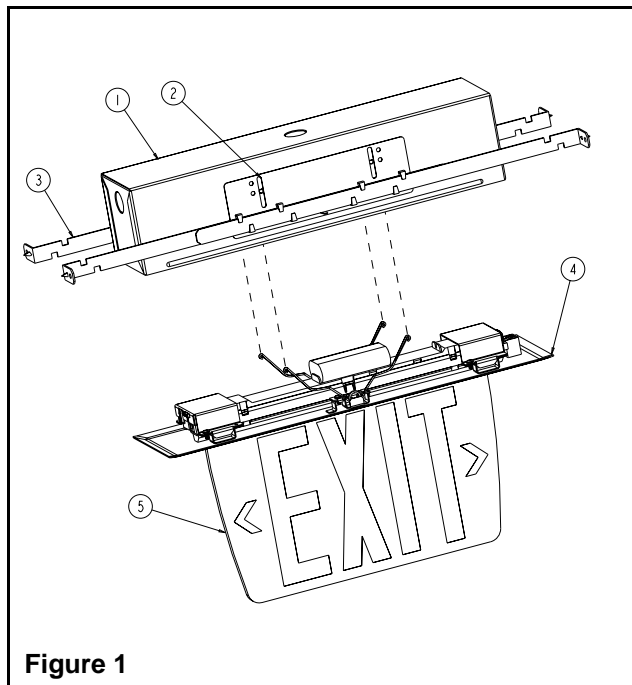


Figure 1

#### Part List

- |                            |                        |
|----------------------------|------------------------|
| 1. Back box                | 4. Trim plate assembly |
| 2. Adjustment brackets (2) | 5. Exit panel          |
| 3. Bar hangers (2)         |                        |

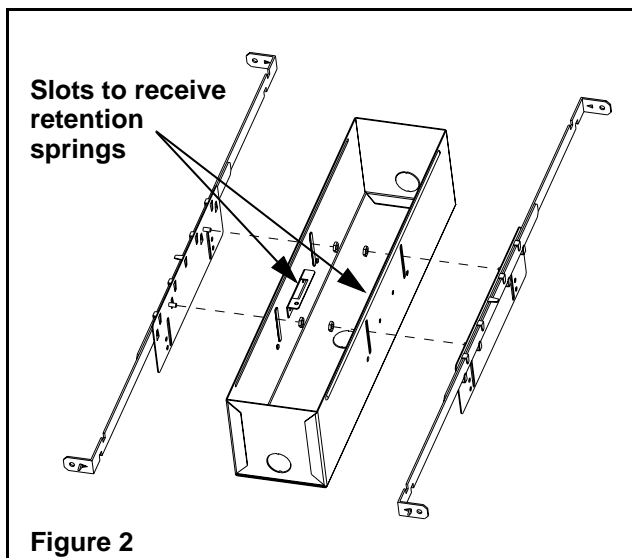


Figure 2

7. Compress the retention springs (Figures 4) and pass them through the slots on the back box (1) (see figure 2) and push the trim plate assembly into the back box. Align to be flush with the back box or with the ceiling.
8. Plug battery (self powered models only).

### Self Powered models

#### Manual testing

Press test switch (see figure 5). Legend will flicker then will remain lit. On release, external green LED will illuminate, and automatic charger will restore battery to full charge.

#### Maintenance

None required. Models equipped with batteries: if AC supply is to be disconnected for 2 months or more, the battery must be disconnected (Self-Powered Models only).

**Note** — For safety reasons Nickel Cadmium batteries are shipped discharged. The units may require 10 minutes of connection to AC supply before start-up test procedure, and two to seven days to reach full charge.

