



GRANDE™ Series

Injection-molded thermoplastic battery unit

Battery Unit

Designed with aesthetics, ease of installation and performance in mind

6 Volts up to 60 Watts
12 Volts up to 72 Watts

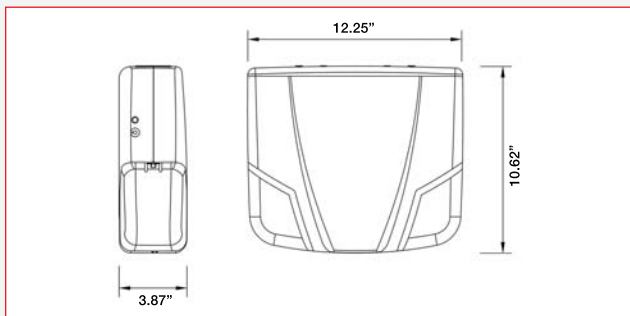


FEATURES

- Simple, compact and contemporary design
- Wall-mount or ceiling-mount installation (specify)
- Two-piece housing of injection-molded thermoplastic
- MR16 halogen lamps, shielded by clear polycarbonate covers
- Sealed, maintenance-free, Lead-Calcium or Nickel-Cadmium batteries
- Dual voltage input: 120/277 Vac.
- Total load capacity up to 72Watts
- UL924 Listed
- Improved diagnostic (optional)
- Certified for damp locations (optional)
- NEXUS® interface (optional)

DIMENSIONS

Dimensions are approximate and subject to change.



FLAT CEILING MOUNT



TYPICAL SPECIFICATIONS

Supply and install the **Lightalarms Grande Series** battery unit equipment. The unit construction shall include a housing and a front cover of high-impact thermoplastic molded in white. No screws shall be necessary to hold the front cover to the housing. The unit shall be equipped with two emergency heads with adjustable swivels and long-life MR-16 lamps of ____V ____W protected by snap-on shock-absorbent, clear polycarbonate covers. The unit shall be suitable for wall mount or as otherwise specified.

The unit equipment shall have a dual-voltage input of 120/277Vac and shall be equipped with a test switch and a pilot light, located on the left side. The housing shall contain the battery and the battery charger. The battery charger and other unit functions shall be driven by a micro-controller. All electronic circuitry shall be installed on a single printed circuit board.

When specified, the unit equipped with Improved Diagnostic shall automatically self-test for one minute every 30 days, 30 minutes in the 6th month and 90 minutes annually. When a fault is detected, the bi-color pilot light shall turn from green to red and start flashing. A legend on a label next to the pilot light shall display the source of failure: battery, charger circuitry or lamp load.

The unit equipment shall be UL924 listed.

The unit equipment shall be **Lightalarms** model: _____.

POWER CONSUMPTION CHART

Model	DC Specs	AC Specs	Watts to 87.5% of rated battery voltage(*)			
			1.5 hr	2 hrs	3hrs	4hrs
A1	6V	120 to 277 Vac	18	14	9	-
A3	6V		30	20	15	10
A4	6V		40	30	20	15
A6	6/12V		60	40	30	20
A7	12V	120 to 277 Vac	72	54	36	27
N2	6V		20	15	10	8
N4	12V		40	30	20	15
N5	12V		50	36	24	18

*National Electric code specifications

WIRE GUARDS

WG1-L	Wall or flat ceiling mount
-------	----------------------------

ORDERING FORMAT

Number of heads	Series/Capacity	Lamp/Wattage	Housing color	Unit type	Options
Blank= no heads 2= two Heads	GRA1 = 6V18W lead cal GRA3 = 6V30w lead cal GRA6 = 6V60w lead cal GR12A4 =12V 40w lead cal GR12A6 = 12V60Wlead cal GR12A7 = 12V72W lead cal GRN2 = 6V20W NiCad GR12N4 = 12V40W NiCad GR12N50 = 12V50W NiCad	*M6 = 6V6W MR 16 *M10 = 6V,12V 10W MR 16 *M12 = 12V12W MR 16 M20 = 12V20W MR 16 LD8 = 12V4W LED <i>*Available with Damp Location.</i>	M = white B = black	Blank = standard ID = improved diagnostics IDNA = improved diagnostics non-audible NEX = NEXUS® interface NEXRF = NEXUS® wireless	Blank = no option -DL = Damp Location (not available with GR12N50)* -T3* = time delay 15 min) -CM = ceiling mount <i>*Not available with NEXUS®.</i>

Example: 2GRA1M6M