



# ELF605M/ELF605P SERIES

TYPE: \_\_\_\_\_  
 CATALOGUE #: \_\_\_\_\_  
 NOTES: \_\_\_\_\_



## Emergency Lighting for Remote Fixtures

Recessed gimbal ring fixture PAR 36 adjustable in two planes to 45°



### General Information

Recessed round gimbal fixture with welded steel housing and plastic (ELF605P) or metal (ELF605M) trim. Lamp has a horizontal rotation of 358° and vertical angle adjustable to 45°.

**Finish:** Metal Trim - White Chrome or Black optional  
 Plastic Trim - Mist White (standard)

**Mounting:** Recessed (wall or ceiling). Plaster frame and standard 4" wire box provided.

**Dimensions:** Trim Ring: 8" dia.  
 Back Box: 4 1/2" deep x 5 1/2" dia.

**Lamps:** All lamps must be specified in the part number when ordering.  
 ELF605M series may use:

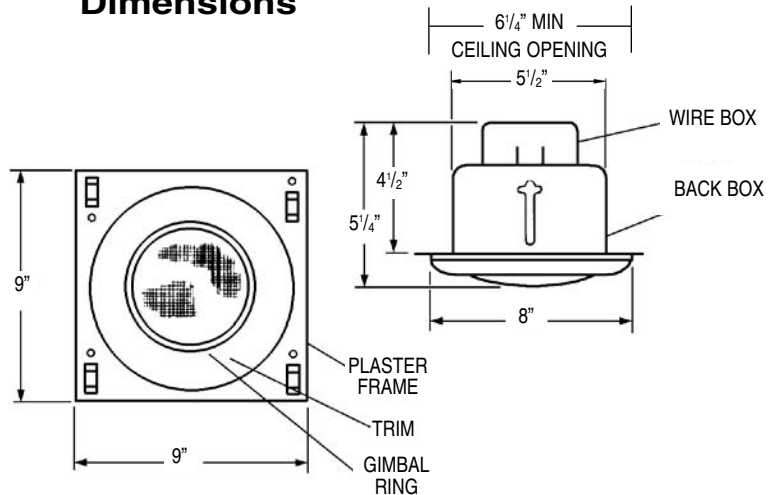
- Wedge base incandescent
- Double contact Bayonet base
- Bi-pin halogen
- PAR36 sealed Beam

### Standard Features

Lamp type(s), voltage and maximum wattage available for fixture are shown under lamp description. Determine lamp type, voltage and wattage required for your application, then select lamp from Lamp Chart in the Charts & Diagrams section. Do not exceed fixture wattage rating.

Include lamp suffix and voltage as suffix to model number.  
**VOLTAGE MUST BE STATED.**

### Dimensions



### Ordering Format

Example: ELF605ML96

Series	Lamp Type	Color	Voltage
ELF605M = metal trim	L9 = 9 watts	Blank = mist white	6 = 6 volt
ELF605P = plastic trim			12 = 12 volt
			24 = 24 volt

