



# ELF622/ELF622D SERIES

TYPE: \_\_\_\_\_

CATALOGUE #: \_\_\_\_\_

NOTES: \_\_\_\_\_



## Emergency Lighting for Remote Fixtures

Single or double metal housing head with fully adjustable swivel



### General Information

Single, double or triple PAR36 indoor lighting heads, with fully adjustable swivel to 358°. All aluminum construction.

**Mounting:** Standard with round aluminum plate for mounting directly to 4" outlet box (4-gang plate for ELF622D optional)

**Finish:** Satin Aluminum (Blank), Mist White (-M), Black (-B) or Chrome (-CH)

**Lamps:** All lamps must be specified in the part number when ordering. ELF622 series may use:

- Wedge base incandescent
- Double contact Bayonet base
- Bi-pin halogen
- PAR36 sealed Beam.

### Standard Features

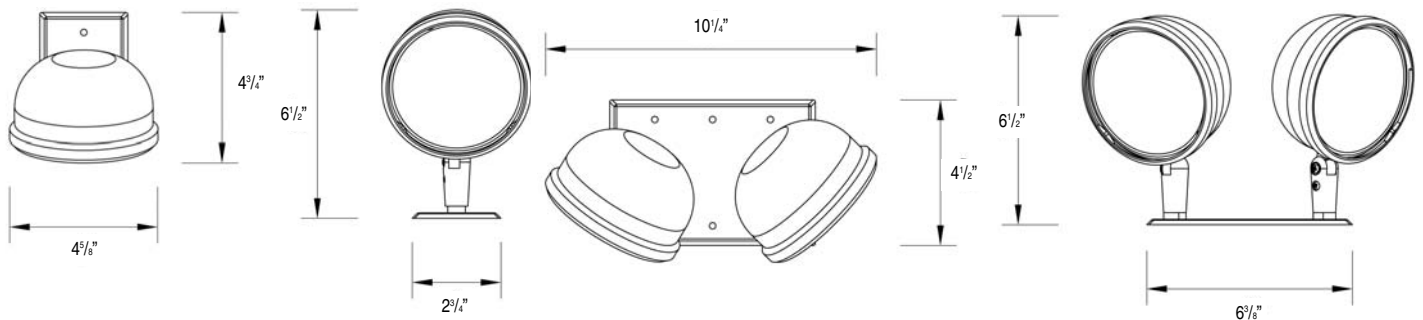
Lamp type(s), voltage and maximum wattage available for fixture are shown under lamp description. Determine lamp type, voltage and wattage required for your application, then select lamp from Lamp Chart in the Charts & Diagrams section labeled. Do not exceed fixture wattage rating.

Refer to available lamp suffix type and wattage.

Include lamp suffix and voltage as suffix to model number.

**VOLTAGE MUST BE STATED.**

### Dimensions



### Ordering Format

Example: ELF62219-CH6

Series	Lamp Type	Color	Voltage
ELF622 = Single	19 = 9 watts	-CH = chrome finish	6 = 6 volt
ELF622D = Double		-M = mist white	12 = 12 volt
			24 = 24 volt

