



ELF2, ELF2D SERIES

TYPE: _____

CATALOGUE #: _____

NOTES: _____



Emergency Lighting for Remote Fixtures

Single and double compact adjustable decorative lighting head - UL Listed thermoplastic



General Information

Single, double or triple PAR 18 size indoor lighting head with fully adjustable swivel; all thermoplastic construction. Tool-less aiming swivels require need for screwdriver. Furnished with specular parabolic reflector and prismatic lens to assure a wide-beam even light distribution and snap out lens for easy lamp replacement.

Finish: Mist White or black

Mounting: Standard with 5" round universal plate with 3 knockouts (supplied with 2 plugs) for single, double or triple head mounting. Mounts to either a standard 4" octagonal or a single gang electrical box. (4-gang plate for ELF2D optional).

Lamps: All lamps must be specified in the part number when ordering.

ELF2 series may use:

- Wedge base incandescent
- Bi-pin halogen

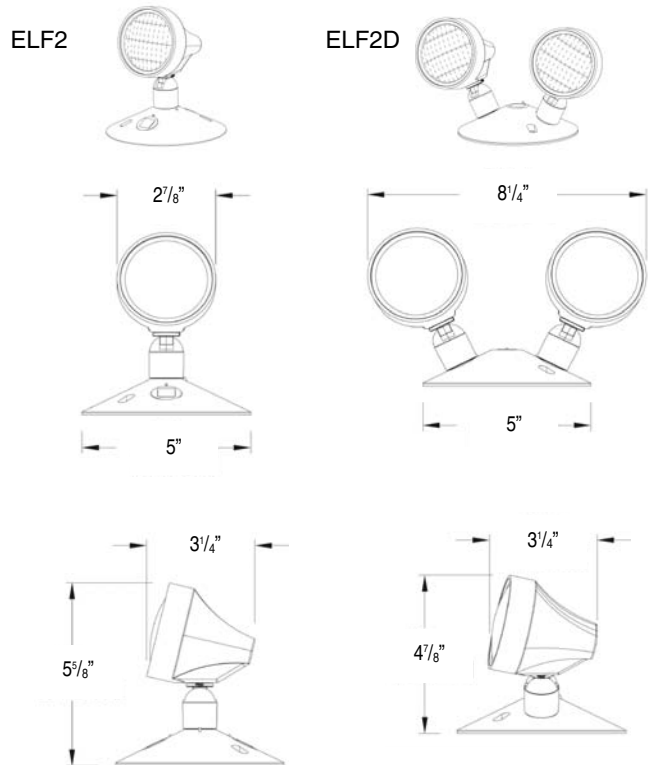
Standard Features

Lamp type(s), voltage and maximum wattage available for fixture are shown under lamp description. Determine lamp type, voltage and wattage required for your application, then select lamp from Lamp Chart in the Charts & Diagrams section. Do not exceed fixture wattage rating.

Include lamp suffix and voltage as suffix to model number.

VOLTAGE MUST BE STATED.

Dimensions



Ordering Format

Example: ELF2L9-M6

Series	Lamp Type	Voltage	Voltage
ELF2 = single	L9 = 9 watts	-M = mist white	6 = 6 volt
ELF2D = double		-B = black	12 = 12 volt
			24 = 24 volt

