

Grande Combination Series

Thermoplastic combination battery unit and exit sign
The Grande Combination Series are designed with aesthetics, ease of installation and performance in mind.

FEATURES

- One housing combines a battery unit and exit sign in a compact and contemporary design
- Durable injection-molded thermoplastic housing with push-to-snap design
- Available in single or double face configurations both with means for ceiling mounting
- Comes with the Grande easy to install canopy and field-selectable snap-in/out chevrons for quick and easy installation
- Exit sign's Long-life LED light source assures low maintenance costs and superior illumination
- Indirect refractive technology provides bright, even illumination.
- Choice of MR16 Halogen Lamps, shielded by a clear polycarbonate cover
- Optional MR16 LED lamps with life expectancy 50,000+ hours
- Sealed, maintenance-free, Lead Calcium or Nickel Metal Hydride batteries
- Remote load capacity, up to 50Watts when supplied with no heads
- Dual voltage input: 120/277 VAC
- Optional self-diagnostic circuitry, flasher/buzzer, fire alarm activated flasher
- Optional vandal resistant shield with tamper proof screws
- UL 924 Listed

Power Consumption and Unit Rating

Model	AC Specs			Watts to 87.5% of rated			
	Battery Type	120/277 Vac	Less than 2 W	1½ hours	2 hours	3 hours	4 hours
EXIT Sign module				-	-	-	-
612M	Lead Calcium	120/277 Vac	0.11/0.05 A	12	8	-	-
612H	NiMH	120/277 Vac	0.11/0.05 A	12	9	-	-
624M	Lead Calcium	120/277 Vac	0.11/0.05 A	24	16	12	9
1224M	Lead Calcium	120/277 Vac	0.22/0.08 A	24	16	12	9
1224H	NiMH	120/277 Vac	0.22/0.08 A	24	18	12	9
1240H	NiMH	120/277 Vac	0.22/0.08 A	40	30	20	15
1250H	NiMH	120/277 Vac	0.22/0.08 A	50	36	24	18

Suffix (M) supplied with Lead Calcium Batteries
Suffix (H) supplied with Nickel Metal Hydride Batteries
*National Electrical Code specification

UNIT WARRANTY*

5 years of full warranty.
*Subject to proper installation and maintenance.(excluding lamps and fuses)

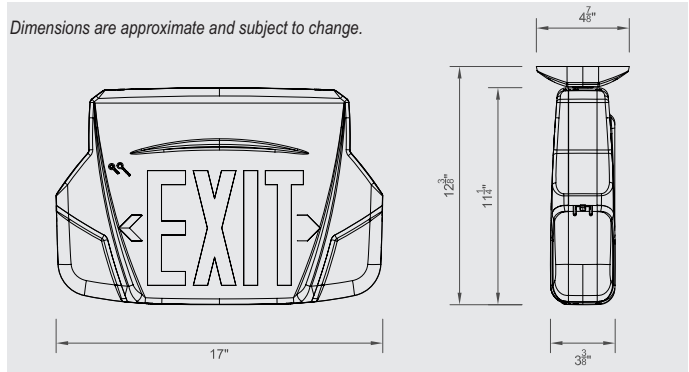
ORDERING FORMAT

GR	612M	R	1	W	2	M6	
Series	<i>Lead Calcium</i>	Legend color	Faces	Housing Color	# of Heads	Lamp/Wattage	Options
GR= series	612M= 6V12W 624M= 6V24W 1224M= 12V24W	R= red legend G= green legend	1= single face (ceiling or wall mount) 2= double face (ceiling mount) 1N= single face no canopy (wall mount) U= universal 2 faces, backplate and canopy	W= white B= black	Blank= no heads 2= two heads	M6= 6V6W, MR16 M10= 6V 10W or 12V 10W, MR16 M12= 12V12W, MR16 LD8= 12V4W LED MR16	Blank= no option -BA= brushed aluminum exit stencil -FB= flasher buzzer -FL= flasher -FAF= fire alarm activated flasher -FBF= flasher buzzer + fire alarm activated flasher -VR= tamper proof screws -LVR1= polycarbonate shield with tamper proof screws ID= improved diagnostics (not available with 1250H) IDNA= improved diagnostics non-audible (not available with 1250H) -T3= time delay (15 min) -NEX= NEXUS® wired -NEXRF= NEXUS® wireless
	<i>Nickel Metal Hydride</i>						
	612H= 6V12W NiMH, rated Damp Location 1224H= 12V24W NiMH, rated Damp Location 1240H= 12V40W NiMH, rated Damp Location 1250H= 12V50W NiMH, rated Damp Location						



DIMENSIONS

Dimensions are approximate and subject to change.



ACCESSORIES

- (Order as a separate item)
- Wire Guard (Wall Mount) **WG2-L**
 - Pendant White **GRA-P*-W**
 - Pendant Black **GRA-P*-B**
- *Specify pendant length
- Convert single face to double face**
- Red/White..... **005715-L**
 - Red/Black..... **005716-L**
 - Green/White..... **005717-L**
 - Green/Black..... **005718-L**

REPLACEMENT BATTERIES

- 860.0004-L**.....lead Calcium
- 022318-L** NiMH 6V12W
- 022319-L** NiMH 12V24W
- 022320-L**NiMH 12V40W, 50W

REPLACEMENT LAMPS

- 580.0074-L**..... MR16, 6V6W
- 580.0079-L**.....MR16, 6V10W
- 580.0099-L**.....MR16, 12V10W
- 580.0080-L**..... MR16, 12V12W
- 580.0096-L**..... MR16, LED 12V4W