

# SL Series

**6 Volt Emergency Unit with Remote Capability  
Long Life Wet Refillable Lead-Acid Battery  
UL Listed**

The **SL Series** battery unit is offered where a reliable, long-life, low-maintenance wet battery unit is required. This series was designed for remote capability and offers a selection of battery capacities.

## FEATURES

### Reliability

The **SL Series** has a three-year full warranty (excluding lamps and fuses).

### Unit Data

Battery and all components are housed in a heavy-duty steel cabinet, with a removable front panel for ease of installation and servicing. The front panel includes a view port for visual inspection of the battery, which is encased in a clean, smooth container of transparent high impact material. The standard cabinet finish will be gray enamel, but "mist-white" is also available (see options). All cabinets come standard with 7/8" conduit knockouts, rear keyhole mounting slots and provisions for mounting up to 3 heads on the cabinet.

### Lamp

Standard SL Series units are furnished with two, Par 36 size, high impact mar-resistant thermoplastic heads with 25-watt high intensity incandescent lamps. The heads are fully adjustable horizontally and vertically. Optional lamps are available.

### Pulse Type Charger

- Automatic, temperature compensated, pulse type charger.
- High capacity, automatic, dust-tight instantaneous transfer relay.
- Low voltage disconnect prevents over discharge of battery. Automatic brownout protection is provided.
- Labor saving AC line latch prevents battery discharge during installation to a non-energized circuit.
- Fused output circuit.

### Controls

- Red charger monitor LED indicates state of charge of the battery.
- Amber AC-ON LED indicates AC power is on.
- Momentary test switch allows for quick operational check of entire system.

### Power Requirements

120/277Vac 60Hz, 0.30/0.15 Amp

## OPTIONS

### (Add Suffix to Model No.)

- |  |                    |               |
|--|--------------------|---------------|
| Voltmeter (Not available with diagnostics) ..... | <b>-V</b>          | <b>Suffix</b> |
| Ammeter (Not available with diagnostics) .....   | <b>-A</b>          |               |
| Lamp Disconnect Switch .....                     | <b>-DS**</b>       |               |
| Time Delay (12 minutes).....                     | <b>-TD**</b>       |               |
| Improved Diagnostics .....                       | <b>-ID**</b>       |               |
| Improved Diagnostics, Non-Audible .....          | <b>-IDNA**</b>     |               |
| 3-Wire Cord & Plug .....                         | <b>-3CP***</b>     |               |
| 3-Wire Cord & Plug (277V) .....                  | <b>-3CP-277***</b> |               |
| Mist White Color (Replace -G with -M) .....      | <b>-M</b>          |               |

\*2SL3 only

\*\*Not required with ID/IDNA option.

\*\*\*Standard cord is 3 ft. custom lengths available.

## ACCESSORIES

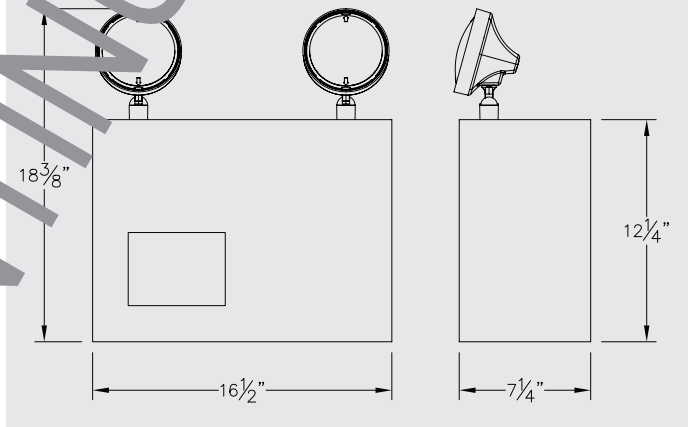
### (Order as a separate item)

- |                        |              |               |
|------------------------|--------------|---------------|
| Mounting Platform..... | <b>MP-A</b>  | <b>Suffix</b> |
| Mounting Bracket ..... | <b>MB-A</b>  |               |
| Wire Guard .....       | <b>WG3-L</b> |               |



## DIMENSIONS

Dimensions are approximate and subject to change.



## UNIT SELECTION CHART

Volts	Model No. (Unit/Lamp Suffix)	Watts to 87.5% of rated battery voltage*			
		1 1/2 hrs.	2 hrs.	3 hrs.	4 hrs.
6	2SL3/L25-G	100	80	50	40
	2SL9/L25-G	200	150	125	100
	2SL105/L25-G	200	200	175	125

\*National Electrical Code Specification

## ORDERING FORMAT

2	SL	9	/25	-G	-V
No. of Heads	Series	Capacity Indicator	Lamp Suffix 6V 25W Incandescent	Finish Gray Enamel	Option Voltmeter