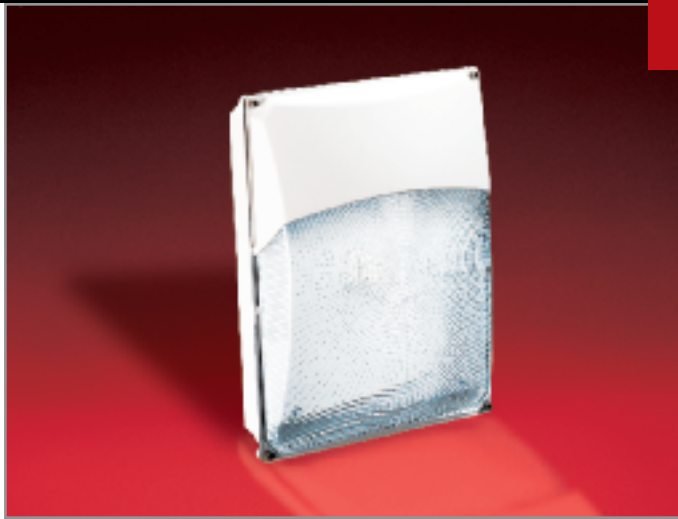


■ Gloweye Series



Dual-Purpose Decorative Wall or Ceiling Luminaire
Sealed Maintenance-Free long life, Nickel-Cadmium Battery
Evaluated to UL 924 Standard

The **Gloweye Series**, the new generation of architectural emergency lighting fixtures, combining emergency mode operation with conventional, normally-on lighting. Ideal for damp, wet and humid covered areas such as indoor swimming pools and garages. An attractive design combined with the strength of a weatherproof enclosure.

■ FEATURES

Reliability

The **Gloweye Series** has a three-year full warranty (excluding lamps and fuses).

Unit Data

The unit consists of a rectangular, injection-molded thermoplastic housing and is furnished standard with a clear prismatic polycarbonate diffuser. The diffuser is fixed onto the thermoplastic back plate with four screws. The nonobtrusive test switch, pilot light, lamps and battery are all concealed under the diffuser. Optional body and trim (eye-lid) colors are available. This unit is Nema-3 rated for damp and/or wet location. Unit is offered with option of dual mode illumination, emergency lighting and normal illumination, as well as AC-only units.

Lamp

The standard unit will include two high-efficiency, 11 watts (950 lumens each) E-C7 base compact fluorescent lamps. Normally-on models will be powered by high efficiency, high frequency ballasts. Failure (absence) on one lamp will not affect the function of the second lamp. Emergency mode initial light output shall be at least 50% of rated lamp output lumen.

Charger

A new generation, solid state circuitry including battery charger and high frequency inverters to drive the compact fluorescent lamps. Failure (absence) of one lamp shall not affect the function of the second lamp. The battery unit will supply the rated load for a minimum of 90 minutes.

Power Requirements

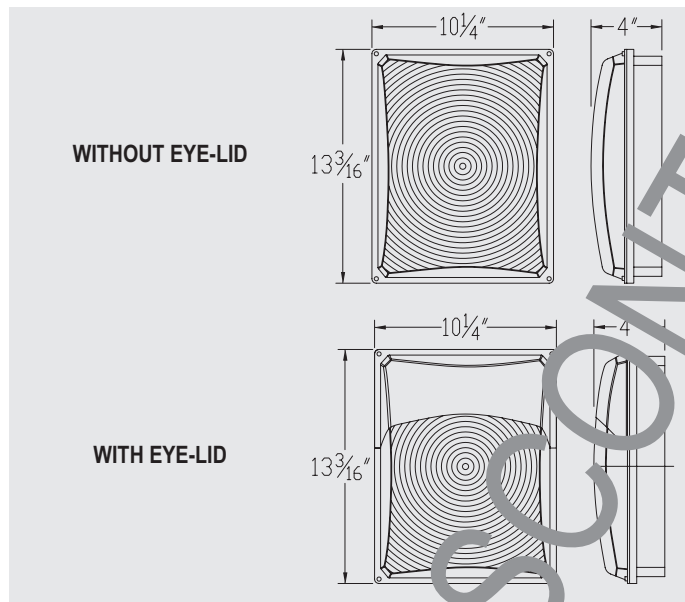
- 120Vac, 60Hz, 0.06 Amps, 7 watts
- 277Vac, 60Hz, 0.03 Amps, 7 watts

■ OPTIONS

(Add Suffix to Model No.)	Suffix
Improved Diagnostics Non-Audible	IDNA
Opal Lens	OP
Damp Location (10°C to 40°C), (50°F to 104°F)	
normally-off only	DL
Vandal Resistant Screws	VR

■ DIMENSIONS

Dimensions are approximate and subject to change.



■ IMPROVED DIAGNOSTICS (optional)

The unit will come complete with a self-diagnostics micro-controller board. The unit shall self test for 1 minute every 30 days, 30 minutes on the 6th month and 90 minutes every 12 months.

■ ORDERING FORMAT

GLOW	M	SP	12	W	W	-IDNA
Series	Unit Type	Emergency Back-up	Voltage/Lamp Wattage	Body Color	Trim (Eye-Lid)	Options
GLOW= Gloweye Fixture	Blank= AC Only M= Normally-On NM= Normally-Off	SP= Self-Powered	12= 120Vac, 2 x 11W, CFL 22= 277Vac, 28W 2D, CFL 11= 120Vac, 28W 2D 21= 277Vac, 28W 2D	W= White B= Black G= Gray	Blank= No Eye-Lid *W= White Eye-Lid Cover *B= Black Eye-Lid Cover *G= Gray Eye-Lid Cover	-IDNA= Improved Diagnostics Non-Audible

**Eye-Lid is suggested for wall mount applications*

Note: Non-maintained= Normally-off Maintained= Normally-on