

## Severe™ XVH & XVH12N Combination Series

Class I Division 2, Groups A, B, C and D hazardous location combination unit



### Severe™ Class I, Division 2 Family



Severe™ XVHZ & XVEHZ Exit series  
PG. 48-49



Severe™ VH  
Battery unit  
PG. 108-109



Severe™ ELF651  
Remote series  
PG. 130-131

#### Construction

- Fully gasketed housing frame
- Faceplate: heavy-duty, vandal-resistant polycarbonate
- Backplate: heavy-duty aluminum
- Vandal-resistant UV stabilized polycarbonate lamp cover
- Stainless steel tamper-proof screws
- 6 inch EXIT lettering legend, available in red or green
- Field-selectable chevrons

#### Mounting

- Surface wall mount
- Backplate features universal knockouts for a standard 4 inch junction box, and four mounting eyelets used in wall mount applications
- 1/2 inch conduit entry on top and sides

#### Lamp type

- Choice of MR16 LED lamp voltages and wattages

#### Battery type

- XVH Model, Nickel-Cadmium battery, 6V-20W total battery capacity
- XVH12N Model, Nickel-Cadmium battery, 12V-24W total battery capacity

#### Special Wording Panels

Available. Contact your sales representative with your design requirements

#### Photometric performance

Lamp	Spacing center-to-center (feet)	
	7 feet mounting height	15 feet mounting height
LD1	39'	34'
LD2	74'	57'
LD7	49'	39'
LD9	68'	54'
LD10	89'	80'

#### Electronics

- Magnetic test switch
- Standard Improved Diagnostics (non-audible)
- Optional Nexus® monitoring system
- 120/277 60Hz

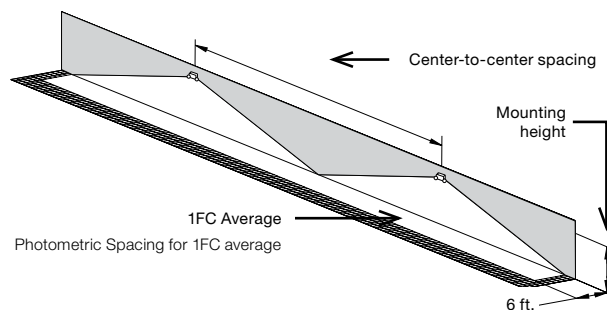
#### Approvals

- CSA-US (to UL 924 standards)
- Evaluated to the UL 844 Standard for Class I Division 2, Groups A, B, C and D
- NEC, OSHA and NEMA compliant for above Classes and Groups
- Damp and wet location 50°F to 104°F (10°C to 40°C)
- Meets NFPA101 (Life Safety Code), NFPA 70-NEC and OSHA illumination standards
- Temperature code T4A

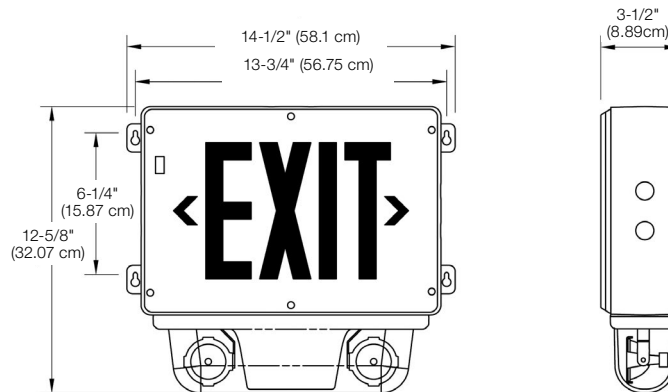
#### Warranty (subject to proper installation and maintenance)

- Five-year limited warranty

Detailed warranty terms located on [page 182](#) or online at: [www.lightalarms.com](http://www.lightalarms.com)



**Dimensions** (Dimensions are approximate and subject to change):



**Power consumption chart**

Series	AC input		Maximum		Stand-By		Watts to 87.5% of rated battery voltage <sup>1</sup>			
	(VAC)	Current (Amp)	Power (Watt)	Current (Amp)	Power (Watt)	1-1/2hrs	2 hrs	3 hrs	4 hrs	
XVH	120/277VAC, 50/60Hz	0.15 / 0.07	16	0.09 / 0.03	8	20	15	-	-	
XVH12N	120/277VAC, 50/60Hz	0.30 / 0.08	29	0.13 / 0.05	10	24	18	12	-	

<sup>1</sup> National Electrical Code Specification

**Accessories** (Order as a separate item)

Description	Product code
Tamper-Proof Bit (Extra)	690.0454-L

**Temperature codes**

Lamp rating	Temperature code	Maximum Temperature	Replacement lamp part #
6V-4W LED	T4A	248°F (120°C)	580.0097
12V-4W LED	T4A	248°F (120°C)	580.0093
12V-5W LED	T4A	248°F (120°C)	580.0104
12V-6W LED	T4A	248°F (120°C)	580.0106

Note: Use qualified replacement lamps to avoid risk of over-heating

**Ordering format**

Housing/ Face color	Series	Legend color	Diagnostic	No. of heads	Lamp type
<b>GG</b> = Gray/Gray	<b>Nickel-Cadmium battery</b> <b>XVH</b> = 6V-20W <b>XVH12N</b> = 12V-24W	<b>R</b> = Red <b>G</b> = Green	<b>D</b> = Improved Diagnostics (included standard non audible) <b>DA</b> = Improved Diagnostics (audible) <b>NEX</b> = Nexus® wired (consult your sales representative) <b>NEXRF</b> = Nexus® wireless (consult your sales representative)	<b>/0</b> = No head <sup>1</sup> <b>/2</b> = 2 heads	<b>LD1</b> = 6V-4W MR16 LED <b>LD2</b> = 6V-5W MR16 LED <b>LD7</b> = 12V-4W MR16 LED <b>LD9</b> = 12V-5W MR16 LED <b>LD10</b> = 12V-6W MR16 LED

**Example: GGXVHR-D2LD1**

<sup>1</sup> A remote load must be connected