

Severe™ XVHZ & XVEHZ Series

Class I Division 2, Groups A, B, C and D, hazardous location exit sign



Severe™ Class I, Division 2 Family



Severe™ XVH Combo series
PG. 54-55



Severe™ VH Battery unit
PG. 112-113



Severe™ ELF651
Remote series PG. 140-141

Construction

- Fully gasketed housing frame
- Faceplate: heavy-duty, vandal-resistant polycarbonate
- Backplate: heavy-duty aluminum
- Stainless steel tamper-proof screws
- 6 inch EXIT lettering legend, available in red or green
- Field-selectable chevrons

Mounting

- Surface mount
- Junction box included for wall, end or ceiling mount applications
- 1/2 inch conduit knock-out entry on top and sides.

Special Wording Panels

Available. Contact your sales representative with your design requirements

Electronics

- Magnetic test switch
- Standard Improved Diagnostics (non-audible)
- Optional Nexus® monitoring system
- 120/277 60Hz
- Compatible with Lightalarms Mini Inverters (contact your sales representative for more information)

Approvals

- CSA-US (To UL 924 standards)
- Evaluated to the UL 844 standard for Class I Division 2, Groups A, B, C and D
- NEC, OSHA and NEMA compliant for Class I Division 2, Groups A, B, C and D
- Self-powered model damp and wet location 50°F to 104°F (10°C to 40°C)
- AC/DC model -40°F to 104°F (-40°C to 40°C)
- Meets NFPA101 (Life Safety Code), NFPA 70-NEC and OSHA illumination standards
- E-California Energy Commission Title 20

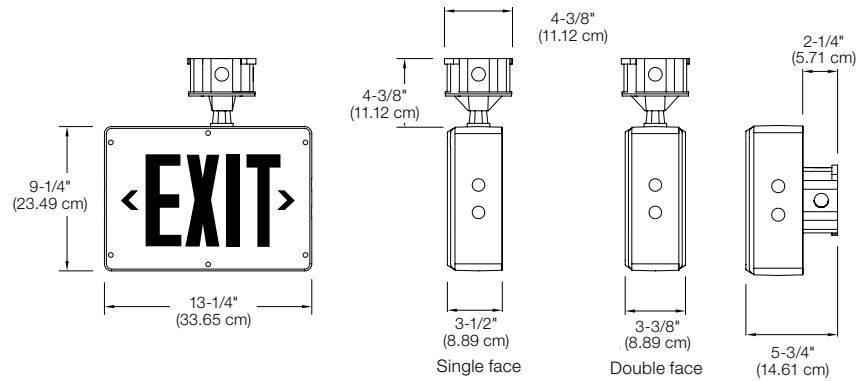
Warranty (subject to proper installation and maintenance)

Five-year limited warranty

Detailed warranty terms located on **page 197** or online at: www.lightalarms.com



Dimensions (Dimensions are approximate and subject to change):



Power consumption chart

Model	AC Specs	DC Specs
AC/DC red	120-277VAC (Less than 2W)	6-24 VDC
AC/DC green	120-277VAC (Less than 1.5W)	6-24 VDC
Self-powered red	120-277VAC (Less than 2W)	Nickel-cadmium battery (Min. 90 mins.)
Self-powered green	120-277VAC (Less than 2.5W)	Nickel-cadmium battery (Min. 90 mins.)

Accessories (Order as a separate item)

Description	Product code
Tamper-Proof Bit (Extra)	690.0454-L

Ordering format

Housing/ Face color	Series	Faces	Legend color	Diagnostic	Options
GG = Gray/Gray	XVHZ = AC/DC XVEHZ = Self-Powered	1 = Single face 2 = Double face	R = Red G = Green	Blank = AC/DC Models -D = Improved Diagnostics (included standard non audible) ¹ -NEX = Nexus® Wired ¹ (consult your sales representative) -NEXRF = Nexus® Wireless ¹ (consult your sales representative)	CW = Cold weather -4°F to +104°F (-20°C to +40°C) ¹

Example: GGXVEHZ2R-DCW

¹ Available with Self-Powered models only