

Severe™ XV12E & XV24E Combination Series

NEMA-4X, vandal resistant and harsh environment combination unit



Construction

- Full gasketed NEMA-4X housing
- Faceplate: heavy-duty, vandal-resistant polycarbonate
- Backplate: heavy-duty aluminum
- Heads protected by clear polycarbonate lens
- Comes with both Phillips head and tamper-proof screws
- 6 inch EXIT lettering legend, available in red or green
- Field-selectable chevrons
- Choice of finishes: white, black or gray

Lamp type

Choice of MR16 LED lamp voltages and wattages

Mounting

- Surface mount
- Canopy included for end or ceiling mount applications
- Universal J-box mounting
- ½ inch conduit entry on top and sides

Choice of battery

- XV12E model, Nickel-Cadmium battery, 6V-12W total battery capacity
- XV24E model, Nickel-Cadmium battery, 12V-24W total battery capacity

Special Wording Panels

Available. Contact your sales representative with your design requirements

Frame/Face plate color



Black



White



Gray



Aluminum

The Severe™ NEMA-4X Rated and NSF Certified Family



Severe™ XV exit series
PG. 44-45



Severe™ V battery unit
PG. 98-99



Severe™ ELF650 remote series
PG. 127

Electronics

- Magnetically operated test switch
- Standard Improved Diagnostics (non-audible)
- Standard 15 minutes time delay
- Optional Nexus® monitoring system
- 120/277 60Hz

Approvals

- UL 924 listed
- UL listed for wet and damp location
50°F to 104°F (10°C to 40°C)
- UL listed for cold weather option-40°F to +104°F
(-40°C to +40°C)
- Meets NFPA101 (Life Safety Code), NFPA 70 NEC, OSHA illumination standards

Warranty (subject to proper installation and maintenance)

Five-year limited warranty

Detailed warranty terms located on [page 182](#) or online at: www.lightalarms.com

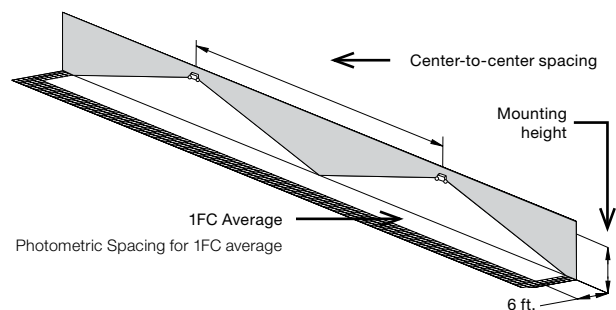
nexus™

NEMA-4X

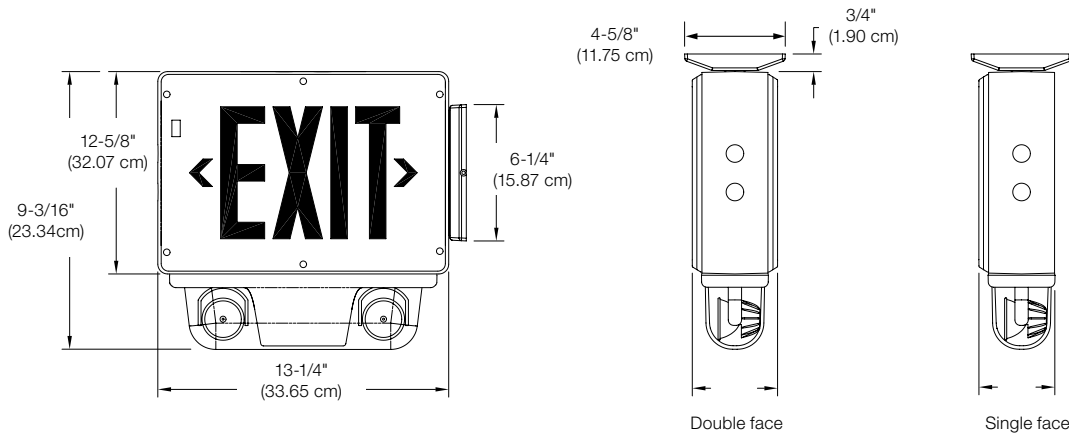


Photometric performance

Lamp	Spacing center-to-center (feet)	
	7 feet mounting height	15 feet mounting height
LD1	39'	34'
LD7	49'	39'
LD9	68'	54'
LD10	89'	80'



Dimensions (Dimensions are approximate and subject to change):



Power consumption chart & unit rating

Series	AC Specs			DC Specs				
	AC Input	Current Draw	Voltage	Battery	Battery capacity in watts			
					1-1/2 Hrs.	2 Hrs.	3 Hrs.	4 Hrs.
XV12E	120/277VAC, 50/60Hz	0.12/0.06A (Less than 13W)	6V	Nickel-Cadmium	12	9	-	-
XV24E		0.17/0.08A (Less than 19W)	12V		24	18	12	9
Models with CW4 Option		0.24/0.12A (Less than 25W)						

Accessories (Order as a separate item)

Description	Product code
Tamper-Proof Bit (extra)	690.0454-L

Ordering format

Housing/ Face color	Series/ Capacity	Faces	Legend color	Diagnostic
Blank = Black/ Black	XV12E = 6V-12W	-1= Single face	R = Red	D = Improved Diagnostics (non-audible, standard) ¹
BW = Black/White	XV24E = 12V-24W	-2= Double face	G = Green	DA = Improved Diagnostics (audible)
BA = Black/ Aluminum				NEX = Nexus® wired ¹
WW = White/ White				NEXRF = Nexus® wireless ¹
WB = White/ Black				
WA = White/ Aluminum				
GA = Gray/Aluminum				
GW = Gray/White				
GB = Gray/Black				

Housing	# of heads	Lamp type	Options
-4X = NEMA-4X housing ²	/0 = 0 head ³	MR16 LED	-208V = 208VAC, 60Hz input
	/2 = Two heads	LD1 = 6V-4W	-240V = 240VAC, 60Hz input
		LD7 = 12V-4W	-208V50HZ = 208VAC, 50Hz input
		LD9 =12V-5W	-CW4 = Cold weather 120/277V (-40°F/-40°C) ⁴
		LD10 =12V-6W	-CM = Canopy Pendant Mount

Example: WWXV12E1RDA4X/2M6CW4

¹ CSA US Approved only, consult your sales representative
² A remote load must be connected
³ Not available with "D or DA" option
⁴ Single face only