

## Severe XV Combo Series



6 or 12 Volt Weather and Corrosion-Resistant Emergency Unit  
 Maintenance-Free Nickel Cadmium Battery  
 UL Listed  
 UL listed: standard wet and damp locations  
 (+10°C to +40°C) (+50°F to +104°F)  
 UL listed for cold weather  
 (-40°C to +25°C) (-40°F to +77°F) - see options below

The **Severe XV Combo Series** is designed and engineered with style in mind and sets new standards for emergency lighting in today's toughest environments. The Severe XV is suitable for industrial and commercial applications as well as all public facilities.

### FEATURES

#### Reliability

The **Severe XV Combo Series** has a five-year full warranty (excluding lamps and fuses).

#### Unit Data

The **Severe XV Series** combo Nema-4X rated housing can withstand moisture, dust and corrosion. The faceplates are molded of heavy-duty, vandal-resistant polycarbonate and the rugged UV-stabilized thermoplastic body will not dent, peel or corrode. The combo unit is equipped with stainless steel tamper-proof screws. A special bit is provided with every unit. The combo comes in a choice of three colors: mist white, black or gray. The Severe XV combo comes standard with a universal mount canopy kit allowing the unit to be end, ceiling or wall-mounted. A universal knockout pattern allows direct mounting on the junction box. Knockouts are also available for conduit entry and are located on the top and both sides of the unit.

#### Light Source

An innovative, fully field adjustable lamp head assembly offers the choice of MR16 halogen lamps up to 12V, 12W or high-efficiency, 4-watt, MR16 LED lamps. Long life, energy efficient technology red LED illuminated EXIT legend is Energy Star compliant.

#### Charger

The **Severe XV Series Combo** unit is equipped with the fully automatic Lightalarms Improved Diagnostic micro-controller board. The micro-controller tests, detects and indicates battery, charger circuitry, lamps or LED strip failures. An external LED signals a general service alarm while an internal diagnostic LED display indicates the nature of failure. The unit performs periodical self-tests of minimum 30 seconds every 30 days, 30 minutes every six months and 90 minutes annually. The board is factory preset to non-audible diagnostic and a 15 minutes time delay. These functions can be enabled or disabled during installation. The equipment comes standard with a dual voltage input of 120/277 Vac.

### OPTIONS

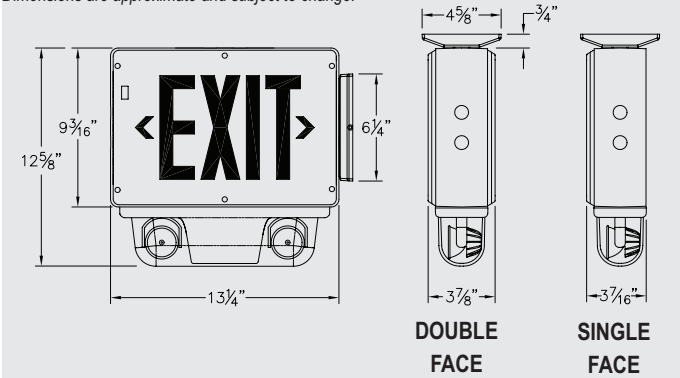
(Add Suffix to Model No.)	Suffix
Cold Weather Location (-40°C to +25°C) (-40°F to +77°F)	<b>CW4*</b>
Fire Alarm Activated Flasher	<b>FAF</b>
Flasher/Buzzer (AC power failure)	<b>FB**</b>
Flasher (AC power failure)	<b>FL</b>
Canopy Pendant Mount	<b>CM</b>
NEXUS® wired	<b>NEX</b>
NEXUS® wireless	<b>NEXRF</b>

\*Available in 12E1 version only.

\*\*Not available with ("DA" Audible Diagnostics)

### DIMENSIONS

Dimensions are approximate and subject to change.



### POWER CONSUMPTION CHART

Model	AC Specs		
XV12E	120 to 277Vac, 60Hz	0.12/0.06 A	Less than 13W
XV24E	120 to 277Vac, 60Hz	0.18/0.08 A	Less than 20W
Cold Wather Option	120 to 277Vac, 60Hz	0.20/0.09 A	Less than 24W

### UNIT SELECTION CHART

Sealed Maintenance-Free Battery Type	Input Power	Output Voltage	Total Output Power for Emergency Heads
Nickel-Cadmium	120/277V, 60HZ, 0.12/0.06A, 13/13W	6Vdc	12W
	120/277V, 60HZ, 0.17/0.08A, 19/19W	12Vdc	24W

### ACCESSORIES

(Order as a separate item)

Additional Special Bit for Tamper-proof Screw.....TPB

### ORDERING FORMAT

QLXN500	XV	12E	1	R	D	4X	/2	M6	GW4
<b>Housing/Face Color</b>	<b>Series</b>	<b>Capacity</b>	<b>Faces</b>	<b>Letter Color</b>	<b>Diagnostics</b>	<b>Housing</b>	<b># of Heads</b>	<b>Lamp/Wattage</b>	<b>Option</b>
Blank= black/black BW= black/white BA= black/aluminum WW= white/white WB= white/black WA= white/aluminum GA= gray/aluminum GW= gray/white GB= gray/black	XV	12E= 6V-12W 24E= 12V-24W	1= single face 2= double face	R= red letters G= green letters	D= improved diagnostics non-audible (standard) *DA= improved diagnostics audible -NEX= Nexus® Wired -NEXRF= Nexus® Wireless <i>*must specify</i>	4X= NEMA-4X	/0= 0 heads* /2= two heads	M6= MR16, 6V-6W M12= MR16, 12V-12W L5= LED, 12V-4W	Blank= no options *CW4= cold weather
							<i>* Remote Lamp(s) must be connected</i>		<i>*Available in 12E1 version only</i>