



■ ELF650 Severe Series

▣ FEATURES

The Severe ELF650 Series Nema-4X rated remote



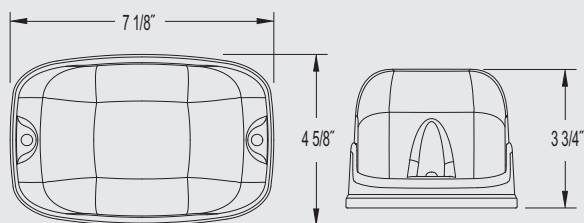
fixtures have a fully gasketed cast aluminum back plate, with a clear UV and impact resistant cover. The remote delivers unsurpassed path of egress illumination. The ELF650 is available in single or double head models with the option of highly efficient MR16 lamps or the 4-watt, MR16 shape white LED. Easy lamp replacement, tool-less lamp aiming and easy installation on a four-inch octagonal box all make this remote the perfect choice for any environment. Comes standard with tamper-proof screws and bit. NSF Certified for food processing plants. Choice three colors,-white, black or gray. (Also available as a battery unit, refer to Severe V Series)

▣ ORDERING FORMAT

ELF650	/M12	-M	12
Series	Lamp Type/Wattage	Color	Voltage
ELF650=single	/M6= MR16-6 watt (6V only)	-M= white	6= 6V
NEMA-4X	/M10= MR16-10 watt (6V only)	-B= black	12= 12V
EF650D=double	/M12= MR16-12 watt (12V or 24V only)	-G= gray	24= 24V
NEMA-4X	/M20= MR16-20 watt (12V or 24V only)		
	/MH20= MR16-20 watt-IR (12V only)		
	LD1= LED 6v-4w		
	LD7= LED 12v-4w		

▣ DIMENSIONS

Dimensions are approximate and subject to change.



■ ELF651 Severe Series



Hazardous Location Remote Fixture

Class I, Division 2 Compliant Remote Fixtures

The ELF651 Series of Remote Fixture has been designed specifically for installation in hazardous locations and other high abuse industrial environments. Weather resistant, high impacts, vibrations and variations in temperature. The ELF651 Series of Remote Fixtures is ideally suited for areas with the risk of presence of flammable gases, vapors or liquids able to create an explosive gas atmosphere.

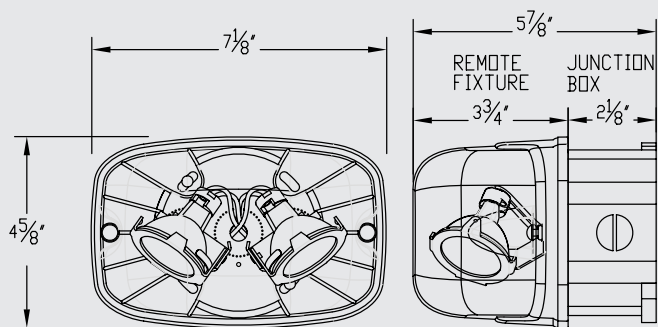
▣ POWER AND TEMPERATURE RATINGS

Lamp Type	Input Voltage	Power (each of 2 lamps)	Temperature Code
MR16	6Volts	10 Watts	T3B (max. 165°C)
MR16	12, 24 Volts	12 Watts	T3B (max. 165°C)
MR16	12, 24, 120 Volts	20 Watts	T2C (max. 230°C)

Note: Use qualified replacement lamps to avoid risk of over-heating

▣ DIMENSIONS

Dimensions are approximate and subject to change.



▣ ORDERING FORMAT

ELF651	/M10	-M	6
Series	Lamp Type/Wattage	Color	Voltage
ELF651= Single	/M10= MR16 10Watts (6V only)	-G= Gray	6= 6V
ELF651D= Double	/M12= MR16 12Watts (12V, 24V)		12= 12V
	/M20= MR16 20Watts (12V, 24V, 120V)		24= 24V
	/MH20= MR16-IR 20Watts (12V only)		120= 120Vac/Vdc