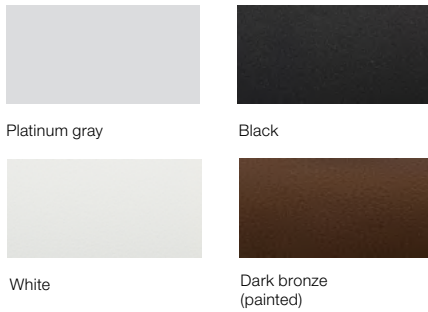


Remote Fixture Camray® LED Series

Low-profile, slim look and performance in a remote fixture



Unit color



Description

- Die-cast aluminium housing
- UV resistant polycarbonate lens

Lamp type

- LED light engine with redundant connections
- Optional forward-throw light distribution, for applications of outdoor egress
- Optional dual-mode: normal and emergency LED lighting with separate AC inputs
- Optional high-lumen output
- Optional photo-switch: dusk-to-dawn control of normal lighting
- Optional remote test: infrared remote control
- 400-640 lumens
- Color temperature: 4000K

Mounting

- Surface wall mount
- Universal J-Box mounting

Approval

- UL 924 Listed
- NEMA-3R
- Damp and wet location listed 50°F to 104°F (10°C to 40°C)

Warranty (subject to proper installation and maintenance)

Unit: five-year full warranty

Detailed warranty terms located on [page 197](#) or online at: www.lightalarms.com



Table A – Spacing for NFPA101 (average = 1FC) – Average of 1 foot-candle

Model type	Mounting height	Lumen	Color temperature	Width X length (ft)	
				Single unit	Center-to-center
Standard	9'	400	4000K	6' X 50'	6' X 50'
With option -H	11'	550		6' X 60'	6' X 60'
With option -FT	12'	460			6' X 70'
With option -FTH	15'	640		6' X 40'	–
				6' X 40'	–

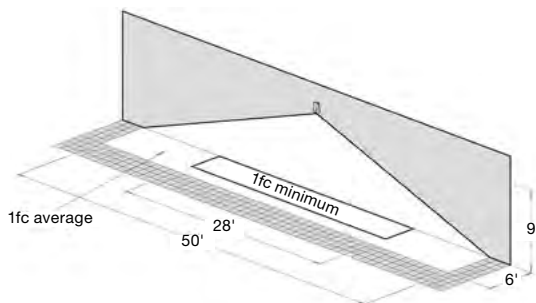
Indoor reflectance: 80/50/20 and 10-ft wide corridor.
Outdoor reflectance: 0/30/10

Table B – Spacing for minimum illumination = 1FC – Minimum of 1 foot-candle

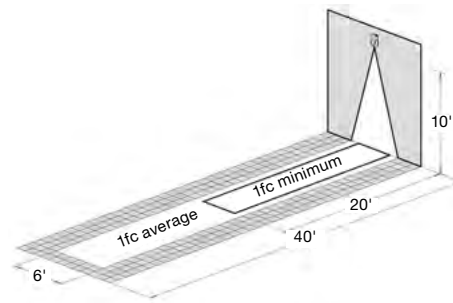
Model type	Mounting height	Lumen	Color temperature	Width X length (ft)	
				Single unit	Center-to-center
Standard	9'	400	4000K	6' X 28'	6' X 32'
With option -H	11'	550		6' X 32'	6' X 40'
With option -FT	12'	460			–
With option -FTH	15'	640		6' X 22'	–
				6' X 27'	–

Note: The illumination level meets ALL the requirements of the Life Safety Code (NFPA 101):
1) Average of 1 foot-candle or more
2) Minimum at any point of 0.1 foot-candle or more
3) Maximum-to-minimum illumination uniformity ratio of 40:1 or less

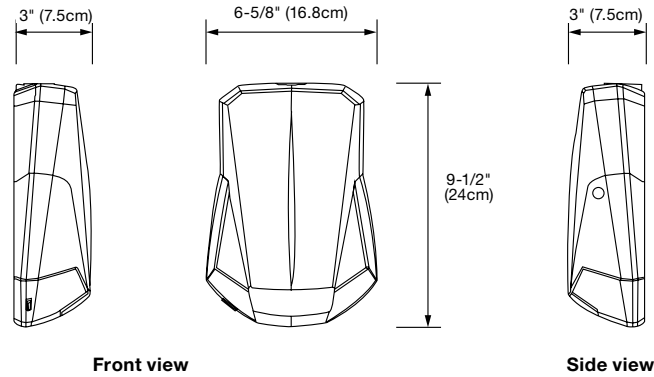
Photometry performance - Wide beam



Photometry performance - Forward throw



Dimensions (Dimensions are approximate and subject to change)



Power consumption chart

Model	AC input(s): 120/277VAC				DC input
	Normal lighting		Emergency lighting		6-12V
	Current (max.)	Power (max.)	Current (max.)	Power (max.)	Power (max.)
AC, 2AC, ACDC, DC	0.12/0.08A	12W	0.11/0.08A	12W	8W
All above, -H	0.18/0.11A	18W	0.18/0.11A	18W	14W (6VDC only)

Ordering format

Series	Model ¹	Color	Options
CAM = Camray® LED	AC = AC-only ACDC = AC/6-12VDC remote DC = 6-12VDC remote fixture 2AC = AC-only two circuits: 120/120 or 277/277V	B = Black DB = Dark bronze OW = Off white PG = Platinum gray	-FT = Forward throw lighting -H = High lumen output -40°F - 86°F (-40°C - 30°C) -P = Photo-switch (AC and ACDC only) -RC = Remote control - infrared (AC and ACDC only) ²

Example: CAMACDCB-H

¹ Temperature range: -40°F - 122°F (-40°C + 50°C)

² With -RC option, order the remote control keypad (TB-RC1-L) separately