



LED Retrofit Kits (for exit signage)

TYPE: _____
 CATALOGUE #: _____
 NOTES: _____



Convert high consumption incandescent and fluorescent lamps to energy efficient red LED lamps



Application: Converting existing exit signage from incandescent or fluorescent lamps to LED (light emitting diodes) lamps drastically reduces operating and maintenance costs for building owner and property managers. As part of energy efficiency programs, some Canadian electric utilities are also actively promoting conversion to LED with incentive and rebate programs for installers and building owners/managers.

LIGHTALARMS OFFERS ONE LED RETROFIT KIT OPTION:

- Snap III series (red ALINGAP technology)

- BENEFITS OF USING LED LAMPS IN EXIT SIGNS:**
- Exceptional energy efficiency – reduces energy consumption by up to 90%
 - Extremely long life – 10 to 25 years
 - Important reduction in maintenance and energy costs
 - Average payback is less than two years
 - Retrofit kits are easy to install
 - Improved visibility and reliability

LEC SERIES



- Easiest to install in its class
- Compact size makes it ideal for virtually all exit signs
- Can be retrofitted directly on fluorescent ballast
- Long-life, energy-efficient red ALINGAP LED technology

- Available with AC adapter for all type of lamp sockets
- LED's use 1.7 watts of energy for either single or double face

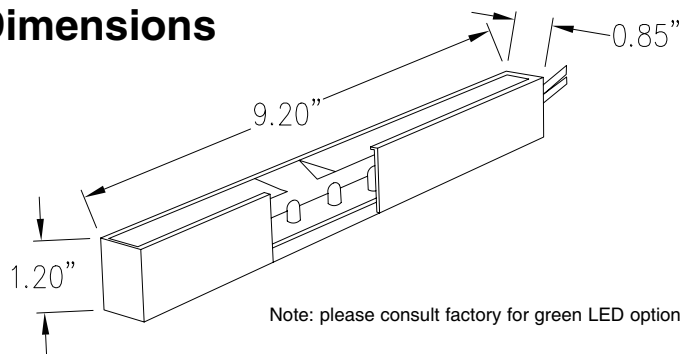
Power Consumption

Model	AC Specs	
LEC	120Vac	1.7W

Ordering Information ————— Example: LEC-RX-C

Model	Base
LEC-RX= for standard applications	-C= candelabra
	-I= intermediate
	-M= medium
	-B= bayonet
	-F= compact fluorescent

Dimensions



Thomas & Betts