



SERIES XT

TYPE: _____
 CATALOGUE #: _____
 NOTES: _____



Self-Luminous Exit Sign

- *Non-Electric*
- *No Maintenance or Energy Required*
- *Revised Industrial Design*



Application Series XT signs are suitable for use in hazardous, explosive, corrosive, humid, or any other harsh environment. The signs illumination is not dependent upon the use of electrical power, either internally or externally. Also, as there is no requirement for a power source, there are no elements or filament to glow or become hot, which may cause ignition.

Features

- Series XT signs do not utilize batteries, lamps or electricity for illumination. Electrical wiring, power, lamp replacement and maintenance are not required.
- Illumination is provided by phosphor-coated borosilicate tubes filled with tritium gas. Tritium gas energizes the phosphor-coated tubes in the sign. The low energy beta emission of tritium striking the phosphor coating inside the pyrex® glass tubes causes illumination to be generated.
- Contemporary housing design offers rounded corners and rugged thermoplastic construction.
- Frame finishes include white or black.

Ideal For Hazardous Locations

- Mines
- Refineries
- Paper Mills
- Food Processing Plants
- Spray Booth Areas
- Off Shore Rigs
- Chemical Plants
- Grain Elevators

Licenses and Codes

- **U.L.** - Underwriters Laboratories
- **OSHA** - Occupational Safety and Health Administration
- **BOCA, ICBO, SBCCI** - American Building Officials
- **MSHA** - Mine Safety and Health Administration
- **NRC** - Nuclear Regulatory Commission
- **Uniform, Basic and Standard Building Codes**

Meet full test specifications of ANSI (American National Standards Institute) for use in harsh or dangerous environments, Meets requirements of National Electrical Codes, Class I and II

Optional Features

Description	Suffix
Aluminum Frame	-AF
Fully Recessed Frame	-FR
Aluminum Frame and Polycarbonate shield	-AFPC

Accessories

Pendant KitPW-*

* Specify length in inches (12, 24, 36)

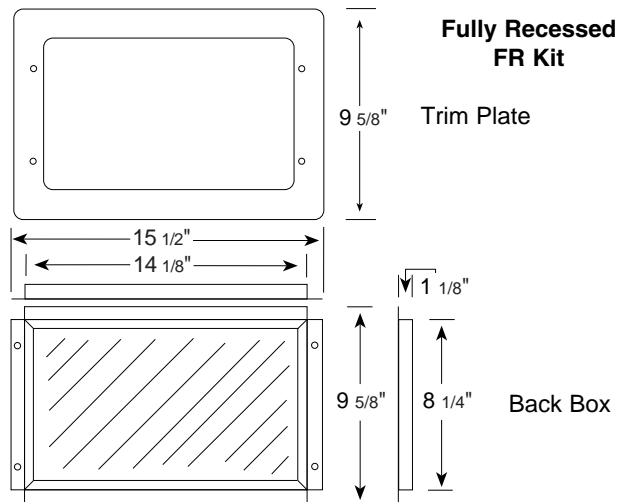
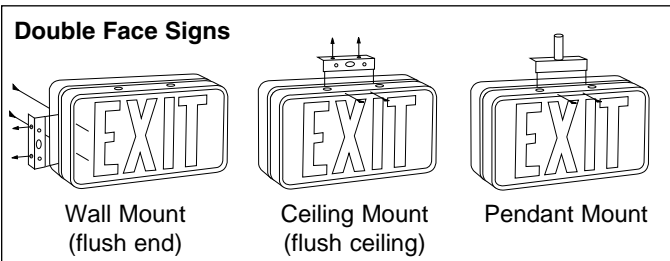
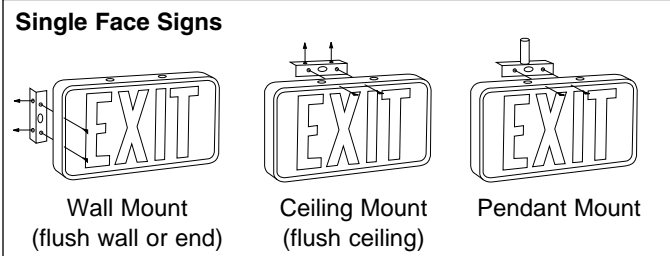
Ordering Information

Example: XT20WR

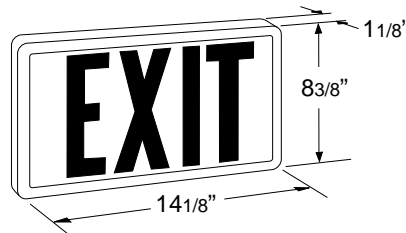
Series	Sign Life	Housing color	Legend Color	Options*
XT= single face	10= 10 years	W= white	R= red	-AF= aluminum frame
2XT= double face	15= 15 years	B= black	G= green	-FR= fully recessed frame
	20= 20 years			-AFPC= aluminum frame and polycarbonate shield

Specifications For Series XT

Mounting



Outline and Dimensions



GENERAL: Supply and install Lightalarms Series XT internally illuminated, self-luminous exit signs powered by tritium gas source. Exit signs shall not require ambient light, electrical power, wiring or batteries. Signs shall be accepted by Uniform, Basic and Standard Building Codes

HOUSING & LEGEND: Exit Sign frame, backplate and canopy shall be of ABS molding. Signs shall utilize tamper proof assembly, no removable fasteners. Faceplate shall be constructed of acrylic (optional polycarbonate) .13 inches thick. Standard frame colors shall include white or black.

Legend shall be constructed of non-glare polycarbonate, .015 thick, open letters, field programmable arrows, and background colors of red or green. Contrast ratio for both conditions shall exceed .5, and shall meet requirements of UL 924 and NFPA.

ILLUMINATION: Internal illumination color shall be green averaging a wave length of 5400 angstroms. Lightalarms suggests a maximum distance for legibility of 125 feet.

MECHANICAL TEST PERFORMANCE: Series XT exit signs shall be spark free and suitable for use in hazardous, explosive, corrosive, humid or any other harsh environment. Signs shall be licensed for distribution by U.S. Nuclear Regulatory Commission.

WARRANTY Lightalarms will replace free of charge any product in which the luminosity is found to be defective during its specified luminous life, or which falls below specified luminous life.

MANUFACTURER:

Unit Shall be Lightalarms Model: _____



Thomas & Betts